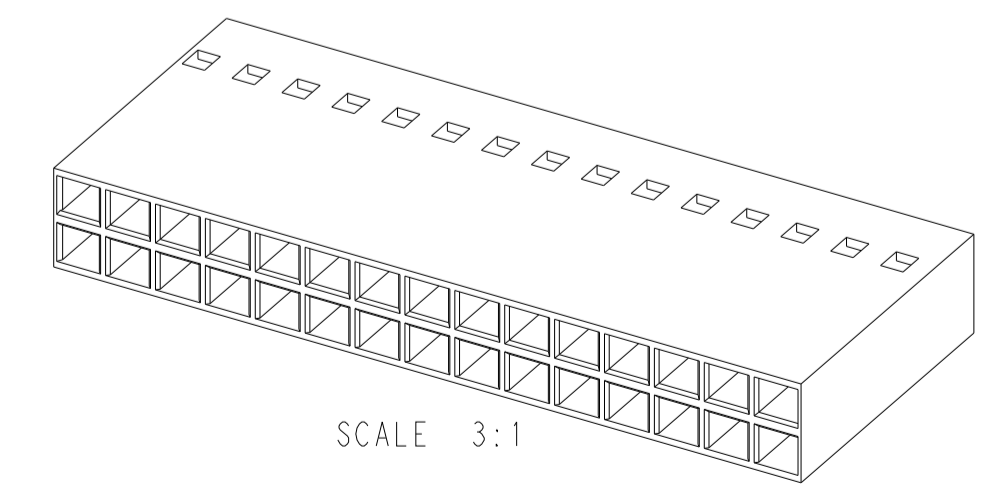
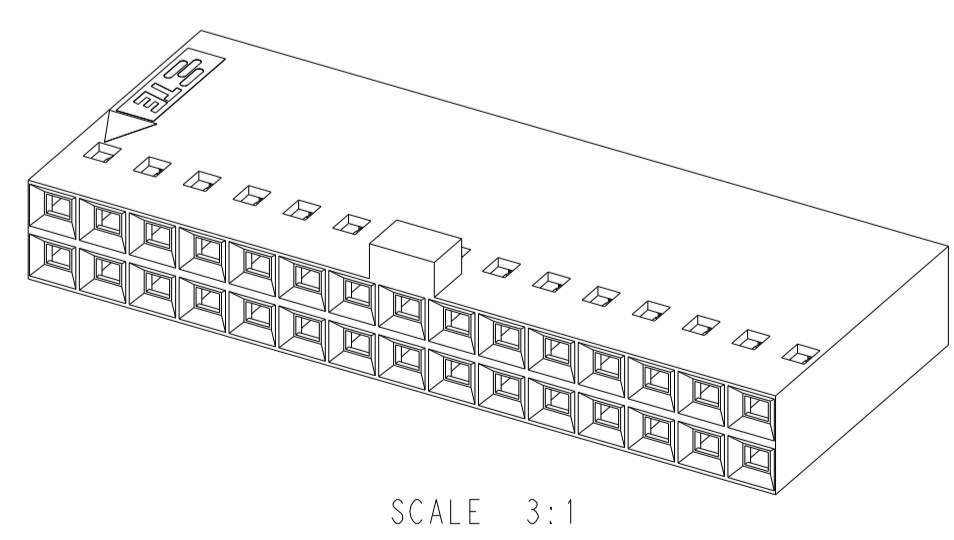
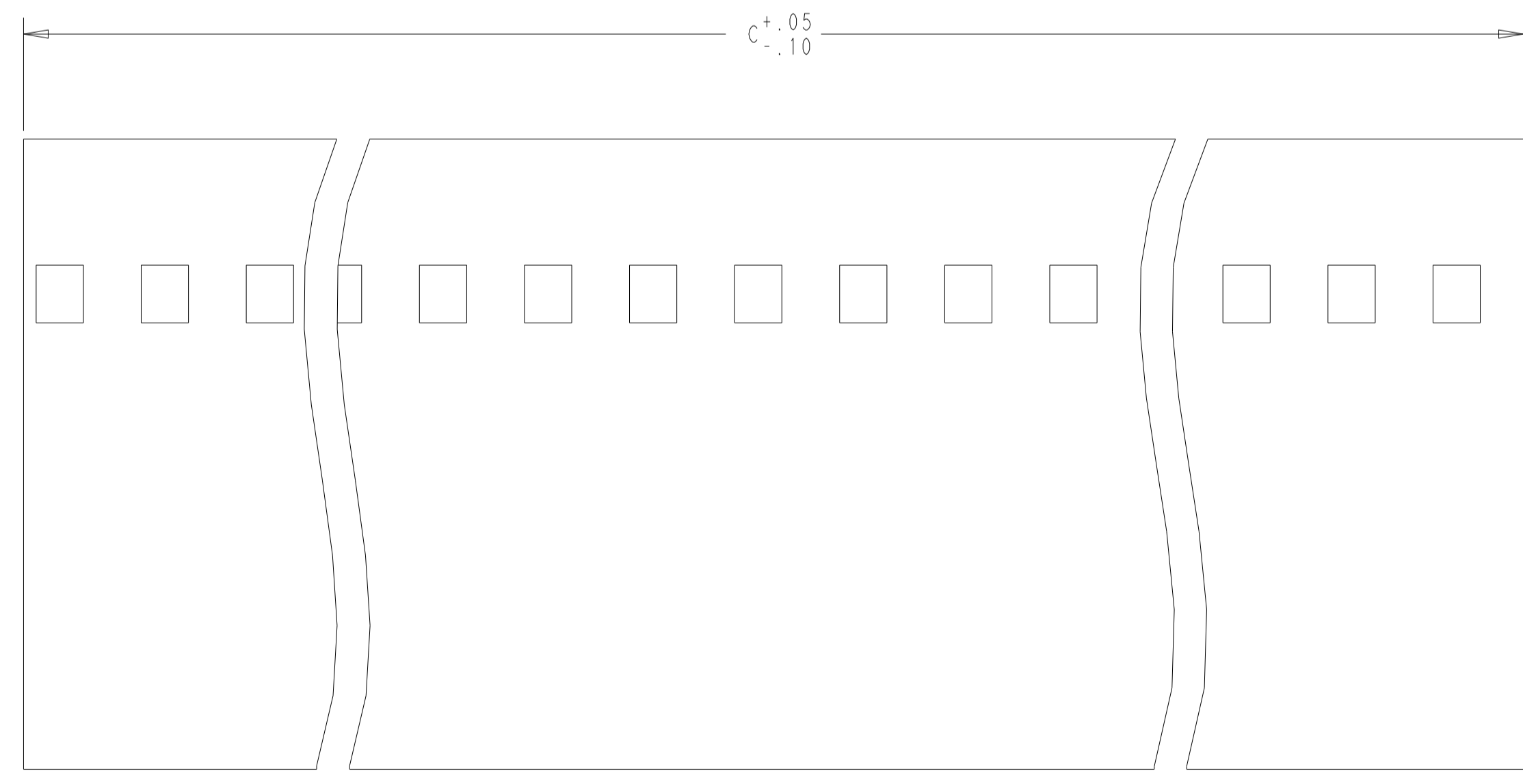
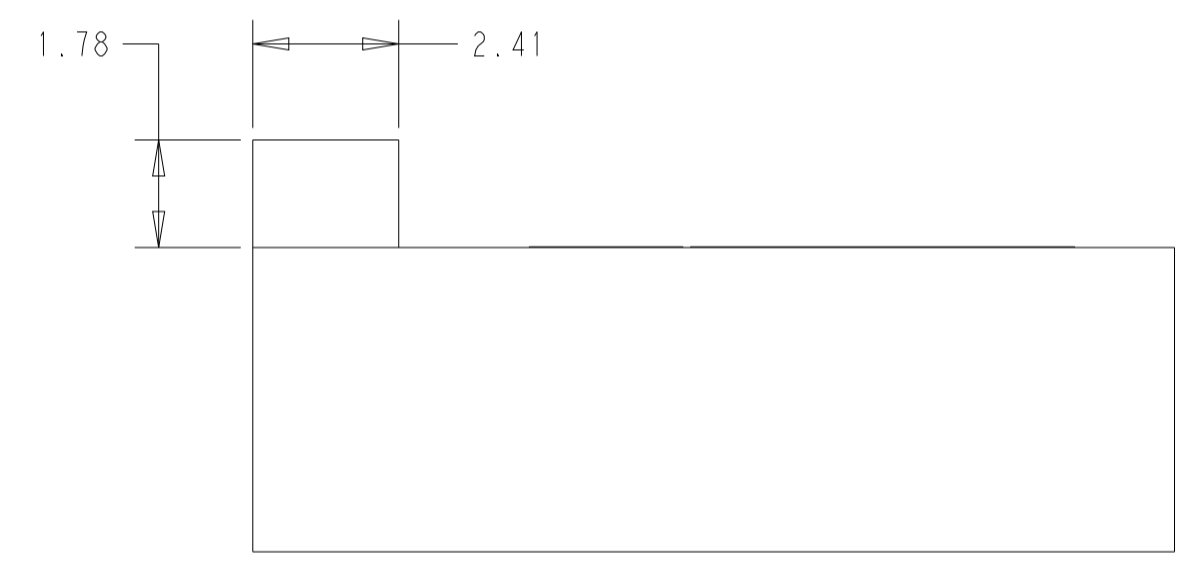
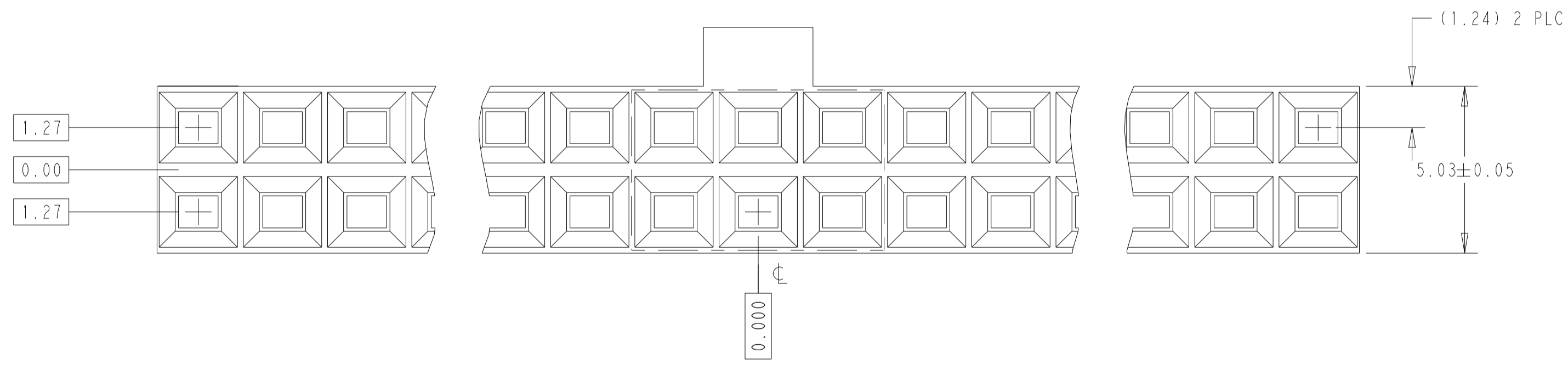
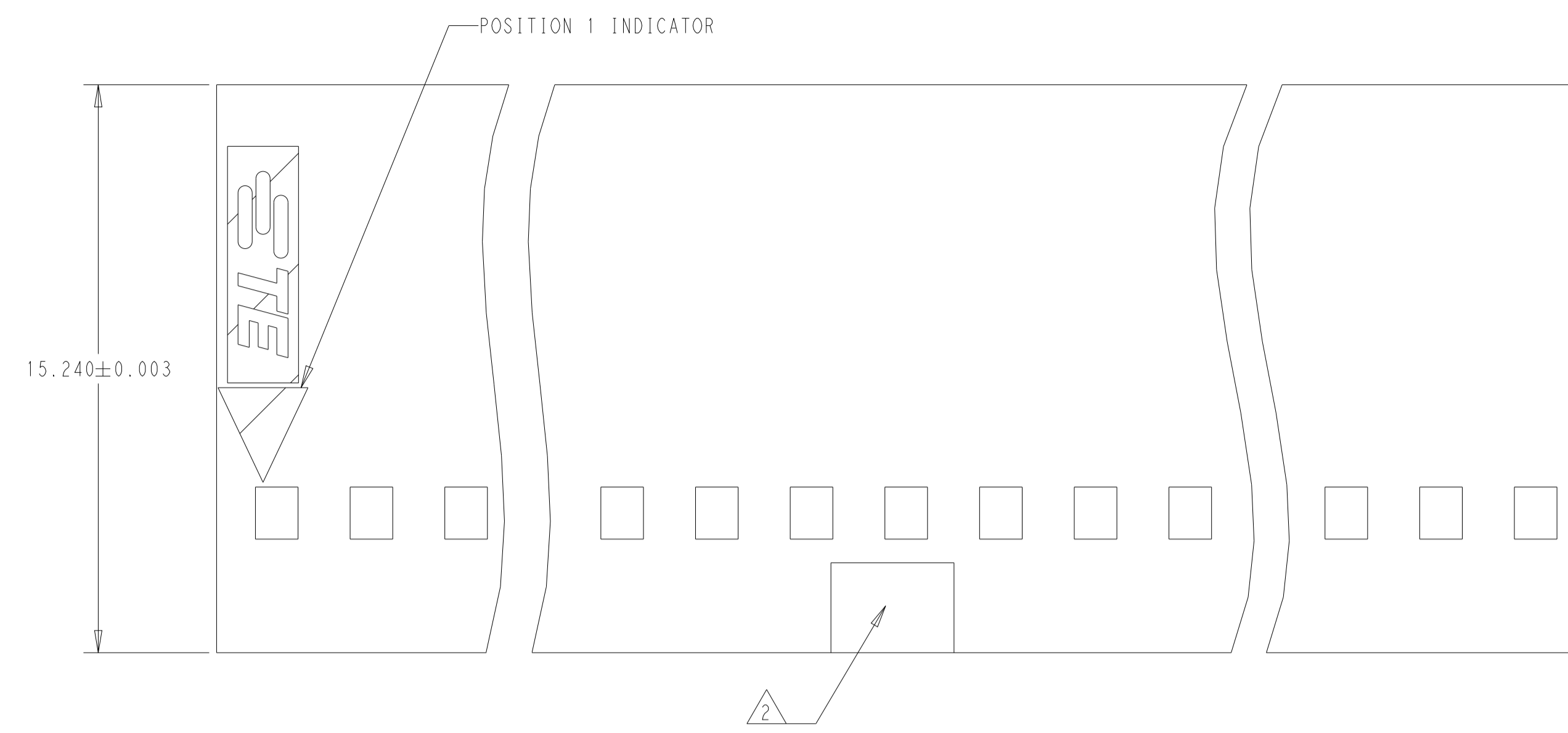


REVISIONS				
P	LTN	DESCRIPTION	DATE	APVD
F1		REVISED PER ECO-16-011475	11AUG2016	NK JO
G		REVISED PER ECR-22-137476	23AUG2022	RK SD

- 1 GLASS FILLED THERMOPLASTIC, UL 94-V0 RATED, COLOR: BLACK
- 2 VOID CORING PERMISSIBLE IN POLARIZATION BAR.
- 3 OBSOLETE PARTS: OBSOLETE CIS STREAMLININF PER D.RENAUD/D.SINISI
- 4 THE PRODUCT IS IN PROCESS FOR UL RECOGNITION.
- 5 THE PRODUCT IS NOT YET QUALIFIED AND IS IN PROCESS.



DIM "C"	NO OF SP	NO OF POSN	PART NUMBER
45.67	17	36	1-104483-5
45.67	17	36	1-104483-4
63.45	24	50	1-104483-3
15.19	5	12	1-104483-2
12.65	4	10	1-104483-1
65.99	25	52	1-104483-0
17.73	6	14	104483-9
81.23	31	64	104483-8
68.53	26	54	104483-7
48.21	18	38	104483-6
38.05	14	30	104483-5
32.97	12	26	104483-4
25.35	9	20	104483-3
22.81	8	18	104483-2
10.11	3	8	104483-1

THIS DRAWING IS A CONTROLLED DOCUMENT.

DWN: SCOTT A. SHUEY 17MAY89  
CHK: H. MOLL 18MAY89

APVD: R. FLICKER 18MAY89

NAME: RCPT HSG, DBL ROW, PLZD, 2.54x2.54 CL, SHORT PT, AMPMODU

PRODUCT SPEC: -

APPLICATION SPEC: -

SIZE: A | CAGE CODE: 00779 | DRAWING NO: 104483

RESTRICTED TO: -

MATERIAL: -

FINISH: -

WEIGHT: -

CUSTOMER DRAWING

SCALE: 8:1 | SHEET: 1 OF 1 | REV: G