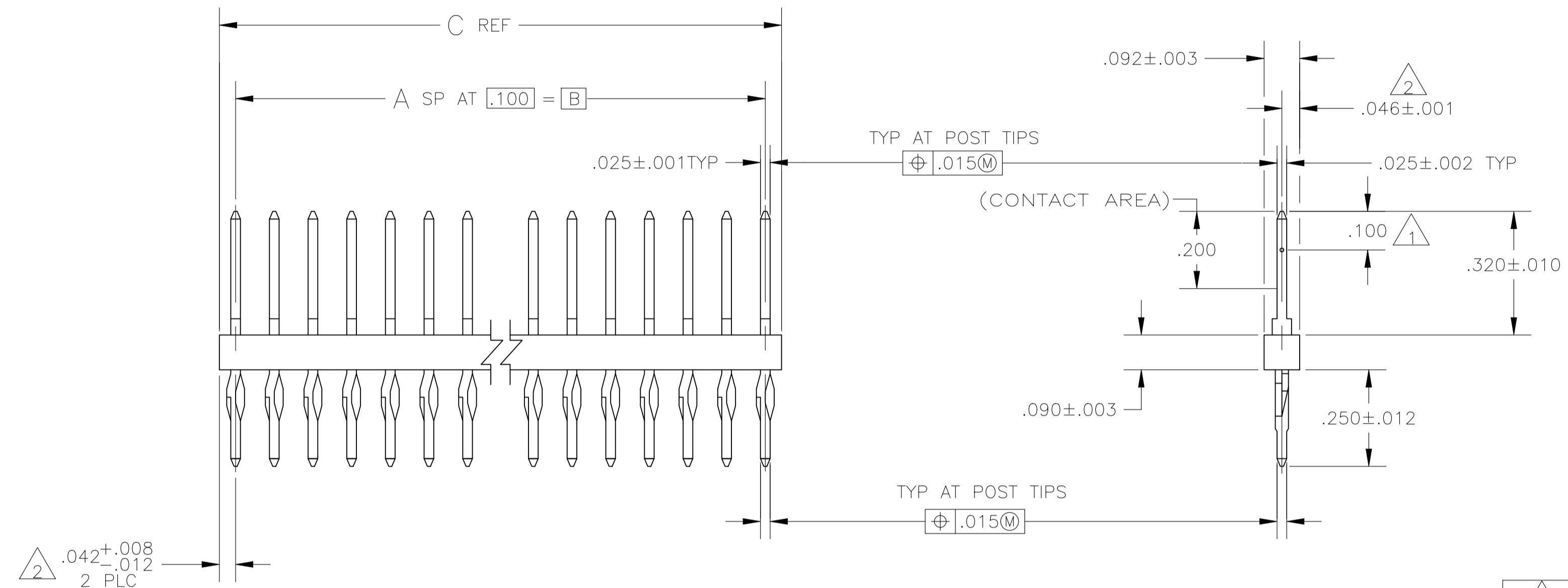
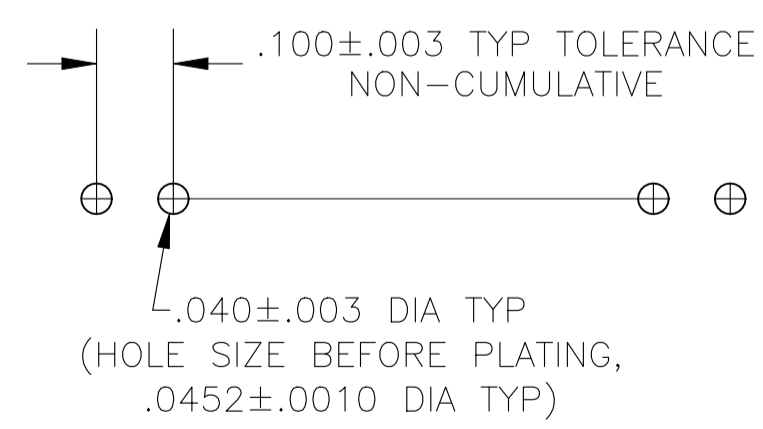


REVISIONS					
P	LTR	DESCRIPTION	DATE	DN	APVD
J1	REVISED PER	ECR-23-193785	17JUN2024	RK	ASC



- 1 POINT OF MEASUREMENT FOR PLATING THICKNESS
- 2 THE NOTED DIMENSIONS APPLY AT THE INTERSECTION OF THE POST AND HOUSING
- 3. TRUE POSITION TOLERANCE OF THE POST TIPS APPLIES WHEN THE HEADERS ARE HELD FLAT AGAINST THE PRINTED CIRCUIT BOARD
- 4 FINISH: POSTS, .000030 GOLD IN CONTACT AREA, .000100-.000200 MATTE TIN-LEAD ON SOLDER TAIL, ALL OVER .000050 NICKEL.
- 5 FINISH: POSTS, .000030 GOLD IN CONTACT AREA, .000100-.000200 MATTE TIN ON SOLDER TAIL, ALL OVER .000050 NICKEL.
- 6 OBSOLETE PARTS: OBSOLETE CIS STREAMLINING PER D.RENAUD/D.SINISI



RECOMMENDED HOLE LAYOUT

2	.284	.200	2	3	9=102898-0	OBSOLETE
2	.684	.600	6	7	8=102898-9	OBSOLETE
2	.484	.400	4	5	8=102898-8	OBSOLETE
2	.584	.500	5	6	8=102898-7	OBSOLETE
2	.384	.300	3	4	8=102898-6	OBSOLETE
2	.084	---	---	1	8=102898-5	OBSOLETE
2	.184	.100	1	2	8=102898-4	OBSOLETE
2	3.984	3.900	39	40	8=102898-3	OBSOLETE
2	3.584	3.500	35	36	7=102898-9	OBSOLETE
2	3.184	3.100	31	32	7=102898-5	OBSOLETE
2	2.984	2.900	29	30	7=102898-3	OBSOLETE
2	2.884	2.800	28	29	7=102898-2	OBSOLETE
2	2.784	2.700	27	28	7=102898-1	OBSOLETE
2	2.684	2.600	26	27	7=102898-0	OBSOLETE
2	2.584	2.500	25	26	6=102898-9	OBSOLETE
2	2.484	2.400	24	25	6=102898-8	OBSOLETE
2	2.384	2.300	23	24	6=102898-7	OBSOLETE
2	2.284	2.200	22	23	6=102898-6	OBSOLETE
2	2.184	2.100	21	22	6=102898-5	OBSOLETE
2	2.084	2.000	20	21	6=102898-4	OBSOLETE
2	1.984	1.900	19	20	6=102898-3	OBSOLETE
2	1.884	1.800	18	19	6=102898-2	OBSOLETE
2	1.784	1.700	17	18	6=102898-1	OBSOLETE
2	1.684	1.600	16	17	6=102898-0	OBSOLETE
2	1.584	1.500	15	16	5=102898-9	OBSOLETE
2	1.484	1.400	14	15	5=102898-8	OBSOLETE
2	1.384	1.300	13	14	5=102898-7	OBSOLETE
2	1.284	1.200	12	13	5=102898-6	OBSOLETE
2	1.184	1.100	11	12	5=102898-5	OBSOLETE
2	1.084	1.000	10	11	5=102898-4	OBSOLETE
2	.984	.900	9	10	5=102898-3	OBSOLETE
2	.884	.800	8	9	5=102898-2	OBSOLETE
2	.784	.700	7	8	5=102898-1	OBSOLETE
PLATING	C	B	A	NO OF POSN	ASSEMBLY PART NUMBER	

2	OBSOLETE	.284	.200	2	3	4=102898-0
2	OBSOLETE	.684	.600	6	7	3=102898-9
2	OBSOLETE	.484	.400	4	5	3=102898-8
2	OBSOLETE	.584	.500	5	6	3=102898-7
2	OBSOLETE	.384	.300	3	4	3=102898-6
2	OBSOLETE	.084	---	---	1	3=102898-5
2	OBSOLETE	.184	.100	1	2	3=102898-4
2	OBSOLETE	3.984	3.900	39	40	3=102898-3
2	OBSOLETE	3.584	3.500	35	36	2=102898-9
2	OBSOLETE	3.484	3.400	34	35	2=102898-8
2	OBSOLETE	3.384	3.300	33	34	2=102898-7
2	OBSOLETE	3.284	3.200	32	33	2=102898-6
2	OBSOLETE	3.184	3.100	31	32	2=102898-5
2	OBSOLETE	3.084	3.000	30	31	2=102898-4
2	OBSOLETE	2.984	2.900	29	30	2=102898-3
2	OBSOLETE	2.884	2.800	28	29	2=102898-2
2	OBSOLETE	2.784	2.700	27	28	2=102898-1
2	OBSOLETE	2.684	2.600	26	27	2=102898-0
2	OBSOLETE	2.584	2.500	25	26	1=102898-9
2	OBSOLETE	2.484	2.400	24	25	1=102898-8
2	OBSOLETE	2.384	2.300	23	24	1=102898-7
2	OBSOLETE	2.284	2.200	22	23	1=102898-6
2	OBSOLETE	2.184	2.100	21	22	1=102898-5
2	OBSOLETE	2.084	2.000	20	21	1=102898-4
2	OBSOLETE	1.984	1.900	19	20	1=102898-3
2	OBSOLETE	1.884	1.800	18	19	1=102898-2
2	OBSOLETE	1.784	1.700	17	18	1=102898-1
2	OBSOLETE	1.684	1.600	16	17	1=102898-0
2	OBSOLETE	1.584	1.500	15	16	102898-9
2	OBSOLETE	1.484	1.400	14	15	102898-8
2	OBSOLETE	1.384	1.300	13	14	102898-7
2	OBSOLETE	1.284	1.200	12	13	102898-6
2	OBSOLETE	1.184	1.100	11	12	102898-5
2	OBSOLETE	1.084	1.000	10	11	102898-4
2	OBSOLETE	.984	.900	9	10	102898-3
2	OBSOLETE	.884	.800	8	9	102898-2
2	OBSOLETE	.784	.700	7	8	102898-1
PLATING	C	B	A	NO OF POSN	ASSEMBLY PART NUMBER	

THIS DRAWING IS A CONTROLLED DOCUMENT.

DIN H. MOLL 16 JULY 87  
CHK L.A. MAYER 16 JULY 87  
APVD T.C. CLARK 16 JULY 87

TE Connectivity

NAME: HEADER ASSY, MOD II, UNSHROUDED, COMPLIANT PIN, SINGLE, ROW .100 C/L, WITH .025 SQ POSTS

PRODUCT SPEC: APPLICATION SPEC

SIZE: A1 CAGE CODE: 00779 DRAWING NO: 102898

WEIGHT: RESTRICTED TO: CUSTOMER DRAWING SCALE: 4:1 SHEET 1 of 1 REV J1