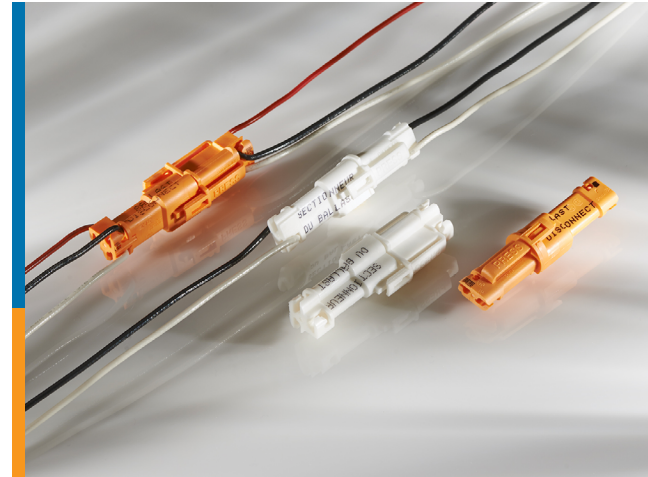


# LIGHT-N-LOK CONNECTORS

## HOT PLUGGABLE

TE connectivity's (TE) 2 and 3 position LIGHT-N-LOK hot pluggable connectors are poke-in wire-to-wire connectors. These provide a safe, pluggable disconnect for hot and neutral ballast wiring that meets the National Electrical Code and Canadian Electrical Code requirements for new installations and retrofit non-residential fluorescent luminaire applications. The mated pair connector assembly accepts 18 AWG solid wire only with integral wire strain relief features that provide additional wire retention. Unmated and unmarked connectors are available for non NEC or CEC lighting applications.



### Applications

- Commercial lighting applications for UL2459
- Hot pluggable interconnect for fluorescent ballast applications
- Indoor non-residential fluorescent fixtures
- Fluorescent LED retrofit fixtures
- Indoor LED lighting fixtures

### Electrical

- Contact Current Rating: 5A max
- Operating Voltage: 120 to 600 VAC
- Operating Temperature: -40 °C to 95 °C

### Mechanical

- Wire Retention: Strain relief retention exceeds 25 pounds (11,3 kg)

### Specifications

- UL listed under ZMNA, E308110
- CSA certified under LR7189, Class 6233-01
- Product Specification: [108-2275](#)
- Application Specification: [114-13204](#) (2 position)  
[114-13207](#) (3 position)
- Instruction Sheet: [408-10153](#) (2 position)  
[408-10154](#) (3 Position)

### Materials

- Contacts: Tin plated copper alloy
- Housing: Thermoplastic UL 94V-0
- RoHS Compliant

### Key Benefits

- Available in 2 and 3 position sizes (required for dimmable lighting fixtures)
- Can be supplied as pre-assembled mated connector sets with or without factory installed flying leads
- Meets new NEC and CEC requirements for hot pluggable ballast disconnect
- Poke-in termination for 18 AWG (0.75 mm<sup>2</sup>) solid wire for easy tool-less, field or factory installation
- Integral strain relief prevents inadvertent wire twist out and pull out
- Designed to be hot pluggable
- Snag resistant rounded housings
- Compact polarized connector housings: 2 position assembly fits through a 5/8" diameter knock-out opening; 3 position assembly fits through 7/8" diameter knock-out opening
- Squeeze-to-release connector latches prevent unintentional disconnect of connector
- Product is marked (English/French) in support of CSA Luminaire Labeling Requirements

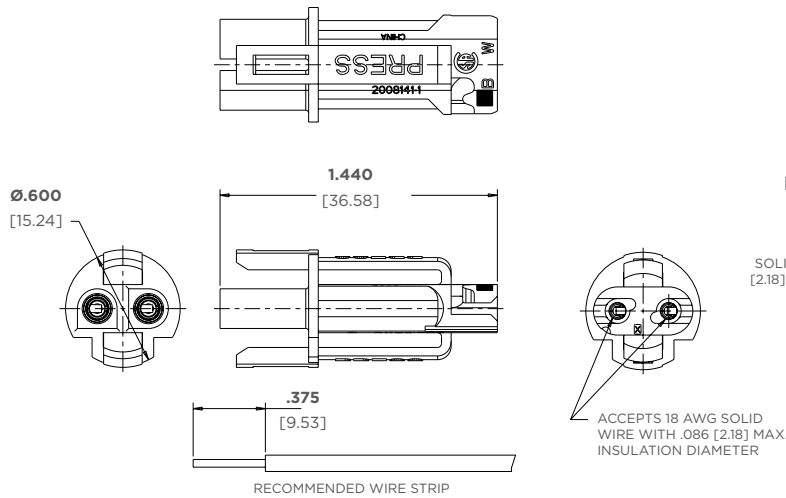
**Product Selection Information**

Part Number	Description	Color
<a href="#">2008144-1</a>	2 Position Mated Pair Assembly	Natural
<a href="#">2008910-1</a>	2 Position Mated Pair Assembly	Orange
<a href="#">2008141-1</a>	2 Position Plug Assembly	Natural
<a href="#">2008141-2</a>	2 Position Plug Assembly-Unmarked	Natural
<a href="#">2008142-1</a>	2 Position Receptacle Assembly	Natural
<a href="#">2008142-2</a>	2 Position Receptacle Assembly-Unmarked	Natural
<a href="#">2008152-1</a>	3 Position Mated Pair Assembly	Natural
<a href="#">2008152-2</a>	3 Position Mated Pair Assembly	Orange
<a href="#">2008149-1</a>	3 Position Plug Assembly	Natural
<a href="#">2008149-4</a>	3 Position Plug Assembly-Unmarked	Natural
<a href="#">2008150-1</a>	3 Position Receptacle Assembly	Natural
<a href="#">2008150-4</a>	3 Position Receptacle Assembly Unmarked	Natural

**Dimensions**

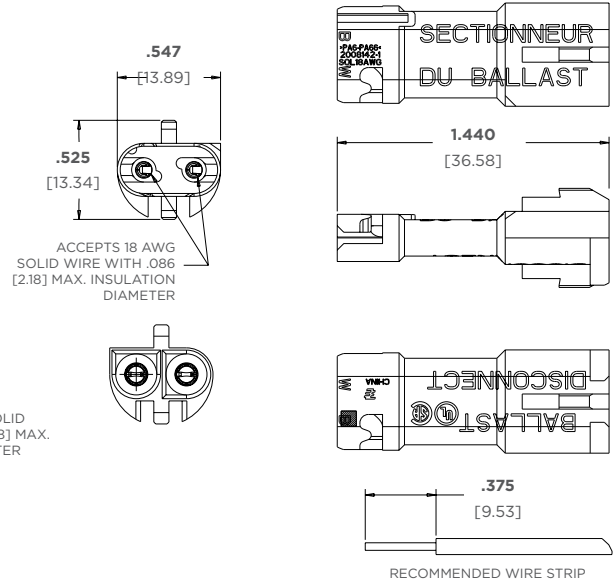
**Plug Assembly**

PN 2008141-1 (2 Pos. shown, 3 Pos. PN 2008149-1)



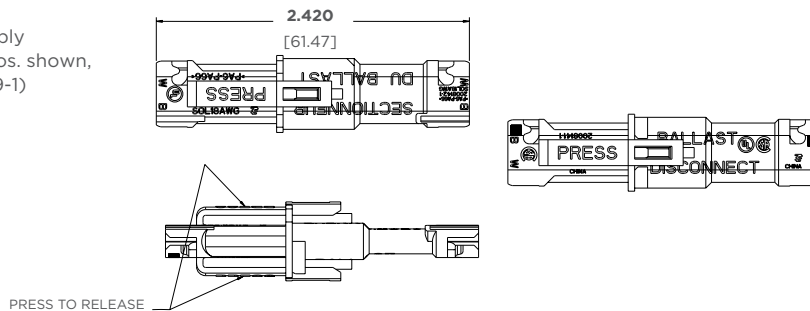
**Receptacle Assembly**

PN 2008142-1 (2 Pos. shown, 3 Pos. PN 2008150-1)



**Mated Pair Assembly**

PN 2008141-1 (2 Pos. shown, 3 Pos. PN 2008149-1)



te.com

© 2019 TE Connectivity. All Rights Reserved. LIGHT-N-LOK, TE, TE Connectivity, and the TE connectivity (logo) are trademarks of the TE Connectivity. Other logos, product and Company names mentioned herein may be trademarks of their respective owners.

While TE has made every reasonable effort to ensure the accuracy of the information in this brochure, TE does not guarantee that it is error-free, nor does TE make any other representation, warranty or guarantee that the information is accurate, correct, reliable or current. TE reserves the right to make any adjustments to the information contained herein at any time without notice. TE expressly disclaims all implied warranties regarding the information contained herein, including, but not limited to, any implied warranties of merchantability or fitness for a particular purpose. The dimensions in this catalog are for reference purposes only and are subject to change without notice. Specifications are subject to change without notice. Consult TE for the latest dimensions and design specifications.

1-1773908-7 ML 07/2019

USA: +1 (800) 522-6752  
 Canada: +1 (905) 475-6222  
 Mexico: +52 (0) 55-1106-0800  
 Latin/S. America: +54 (0) 11-4733-2200  
 Germany: +49 (0) 6251-133-1999  
 UK: +44 (0) 800-267666  
 France: +33 (0) 1-3420-8686  
 The Netherlands: +31 (0) 73-6246-999  
 China: +86 (0) 400-820-6015