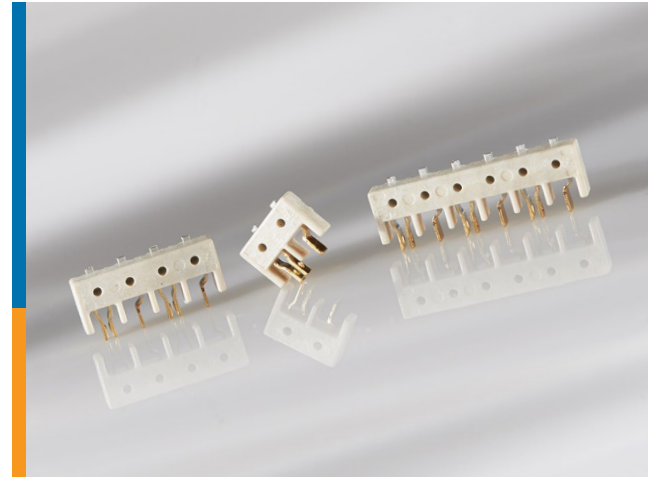


MINI-HERMAPHRODITIC CONNECTORS

with Gold Plating

TE Connectivity (TE) introduces the Miniature Hermaphroditic Blade and Receptacle connectors with selective gold plating. The gold plated connectors are suitable for harsh environments where moisture and high vibration may be present. The connector is ideal for providing power from the driver to the initial and adjacent boards in a string of linear LED lighting strip modules. The compact design of this connectors makes it a good choice for applications where space constraints are present.



Applications

- Architectural and sign lighting
- Retail and display lighting
- Fluorescent LED retrofit lighting
- Cabinet or furniture lighting
- Commercial and residential cove lighting

Electrical

- Current Rating: 3A (max)
- Voltage Rating: 300 VAC / DC (UL)
- 50 VAC / DC (TÜV)
- Dielectric Withstanding Voltage: 1600 VAC

Mechanical

- Operating Temperature: -40°C to +105°C (UL)
-35°C to +65° (TÜV)

Specifications

- Product specifications: [108-106050](#)
- Application specifications: [114-106050](#)

Materials

- Housing: UL 94V0 high temperature resistant thermoplastic
- Contacts: Gold over Nickel at separable interface (tin over Nickel for the remainder)

Key Benefits

- Reduce inventory requirements with a single connector that mates to itself
- Simplify assembly and service with either vertical or horizontal connections
- Speed assembly time with surface mount and reflow compatible low profile design in tape and reel packaging
- Maximize LED output with low profile connector rounded corners that eliminate shadowing
- Reduce design time using the same connector for power, data or signal connections with 2, 4 or 6 positions

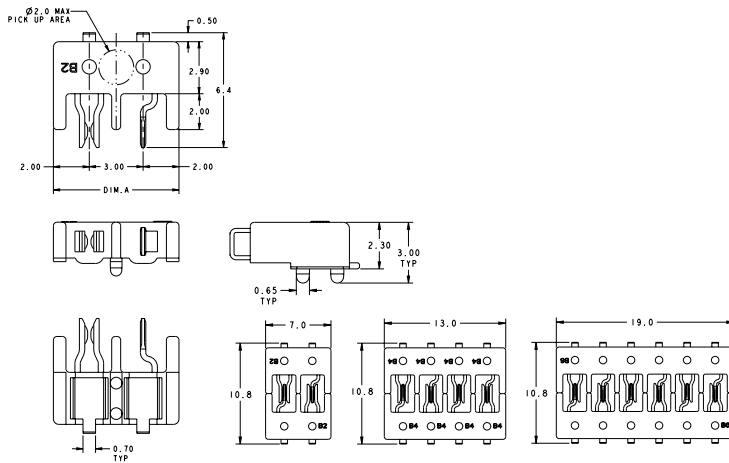
MINI-HERMAPHRODITIC CONNECTORS SELECTIVE GOLD PLATING

Product Selection Information

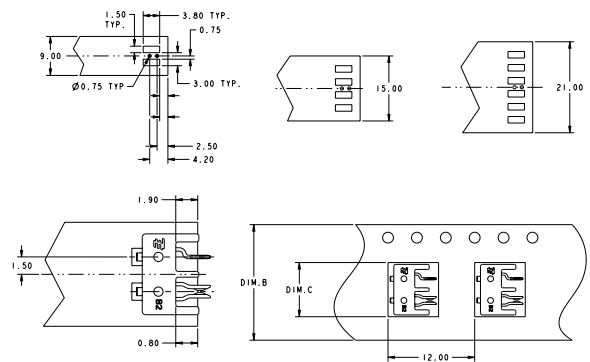
Part Number	Description	Positions
2213611-1	Miniature Hermaphroditic Blade and Receptacle Assembly with Posts - Select Gold	2
2213611-2	Miniature Hermaphroditic Blade and Receptacle Assembly with Posts - Select Gold	4
2213611-3	Miniature Hermaphroditic Blade and Receptacle Assembly with Posts - Select Gold	6
2306038-1	Miniature Hermaphroditic Blade and Receptacle Assembly - Select Gold	2
2306038-2	Miniature Hermaphroditic Blade and Receptacle Assembly - Select Gold	4
2306038-3	Miniature Hermaphroditic Blade and Receptacle Assembly - Select Gold	6

Dimensions

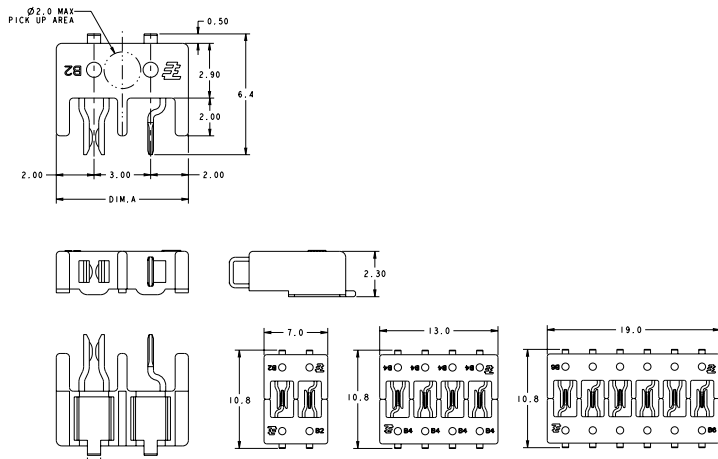
2213611 with posts



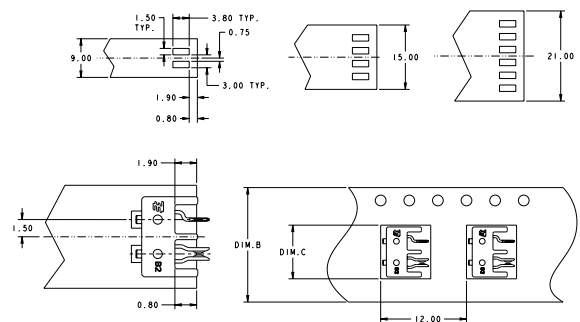
PCB Layout



2306038 (no posts)



PCB Layout



te.com

© 2017 TE Connectivity Ltd. Family of Companies. All Rights Reserved. TE, TE Connectivity, and the TE connectivity (logo) are trademarks of the TE Connectivity Ltd. family of companies. Other logos, product and Company names mentioned herein may be trademarks of their respective owners.
1-1773884-1 JN 2/2017

USA: +1 (800) 522-6752
Canada: +1 (905) 475-6222
Mexico: +52 (0) 55-1106-0800
Latin/S. America: +54 (0) 11-4733-2200
Germany: +49 (0) 6251-133-1999

UK: +44 (0) 800-267666
France: +33 (0) 1-3420-8686
The Netherlands: +31 (0) 73-6246-999
China: +86 (0) 400-820-6015