

# SOLARLOK Z-RAIL

## ENHANCED JUNCTION BOX FOR 1500V APPLICATIONS

The SOLARLOK Z-Rail enhanced junction box terminates the foils of crystalline PV panels with clamped connections while supporting voltage ratings of 1500V for UL3730 and 1500V for IEC62790. The SOLARLOK Z-Rail enhanced junction box for 1500V applications is manufactured with durable materials that reduce the stress on individual components, extend the life of the product and increase reliability. The junction box provides a flexible, open system structure, which allows serial or parallel interconnection via a direct wire connection or separable connectors.



### Applications

Photovoltaic installations including those with:

- Extreme water conditions
- Upgraded 1500V voltage in standard use
- Open or accessible installations where decoupling must be limited
- Multi agency approval requirements

### Electrical

- **Rated Current:** 13A
- **Withstanding Voltage:** 1500V DC (UL)  
1500V DC (TUV/IEC)

### Mechanical

- **Overall Junction Box Size:** 115 x 110 x 23.8 mm
- **Operating Temperature:** -40 to +115 °C
- **Ingress Protection Rating:** IP67
- **Applicable Cable:** 2.5-6 mm<sup>2</sup> (14-10 AWG)
- **Connector Interface:** PV4-S (common PV interface)

### Specifications

- **Product Specifications:** [108-2471-1](#)
- **Applications Specifications:** [114-13303-1](#)

### Materials

- **Contact Rail:** Tin plated copper alloy
- **Cover and Base Housing:** PPE + PS

### Standards

- 1000V / 1500V UL approved per UL3730
- 1000V / 1500V TUV approved per EN62790

### Benefits

- Unique rail design for exchangeable diodes
- Material withstands harsh environments
- Extends product lifetime with ammonia and salt water resistant materials
- Rails available for welding and clamping with Omega or S-Clips
- Use of vent for humidity control
- Installation with a line takes 40 seconds or less and no potting necessary

### PV4-S connectors:

- Provides waterproof protection and is rated IP68 (1 m / 24 hours)
- Minimizes power loss by providing low contact resistance

# SOLARLOK Z-RAIL ENHANCED JUNCTION BOX FOR 1500V APPLICATIONS

## Product Selection Information

### SOLARLOK Z-RAIL 1500V

Type	Part Number	Description	Cable length (meters)
PREFERRED CHOICE	<a href="#">2270083-1</a>	4-RAIL, WITH OMEGA-CLIP, NO FIXING TAPE	1.0
STANDARD	<a href="#">1-2270083-1</a>	4-RAIL, WITH OMEGA-CLIP, WITH FIXING TAPE	1.0
STANDARD	<a href="#">2270083-2</a>	4-RAIL, WITH OMEGA-CLIP, NO FIXING TAPE	1.2
STANDARD	<a href="#">1-2270083-2</a>	4-RAIL, WITH OMEGA-CLIP, WITH FIXING TAPE	1.2
PREFERRED CHOICE	<a href="#">2270135-1</a>	4-RAIL, WITH S-CLIP, NO FIXING TAPE	1.0
STANDARD	<a href="#">1-2270135-1</a>	4-RAIL, WITH S-CLIP, WITH FIXING TAPE	1.0
STANDARD	<a href="#">2270135-2</a>	4-RAIL, WITH S-CLIP, NO FIXING TAPE	1.2
STANDARD	<a href="#">1-2270135-2</a>	4-RAIL, WITH S-CLIP, WITH FIXING TAPE	1.2



### SOLARLOK Z-RAIL 1000V

Type	Part Number	Description	Cable length (meters)
PREFERRED CHOICE	<a href="#">2270170-1</a>	4-RAIL, WITH OMEGA-CLIP, NO FIXING TAPE	1.0
STANDARD	<a href="#">1-2270170-1</a>	4-RAIL, WITH OMEGA-CLIP, WITH FIXING TAPE	1.0
STANDARD	<a href="#">2270170-2</a>	4-RAIL, WITH OMEGA-CLIP, NO FIXING TAPE	1.2
STANDARD	<a href="#">1-2270170-2</a>	4-RAIL, WITH OMEGA-CLIP, WITH FIXING TAPE	1.2
PREFERRED CHOICE	<a href="#">2270176-1</a>	4-RAIL, WITH S-CLIP, NO FIXING TAPE	1.0
STANDARD	<a href="#">1-2270176-1</a>	4-RAIL, WITH S-CLIP, WITH FIXING TAPE	1.0
STANDARD	<a href="#">2270176-2</a>	4-RAIL, WITH S-CLIP, NO FIXING TAPE	1.2
STANDARD	<a href="#">1-2270176-2</a>	4-RAIL, WITH S-CLIP, WITH FIXING TAPE	1.2

### SOLARLOK Z-RAIL ACCESSORIES

Type	Part Number	Description
STANDARD	<a href="#">1740873-8</a>	OMEGA-CLIP
STANDARD	<a href="#">2232234-1</a>	S-CLIP
STANDARD	<a href="#">2-2152179-2</a>	DIODE REPAIR-KIT SL1515
STANDARD	<a href="#">2-2152179-1</a>	DIODE REPAIR-KIT F1200DC

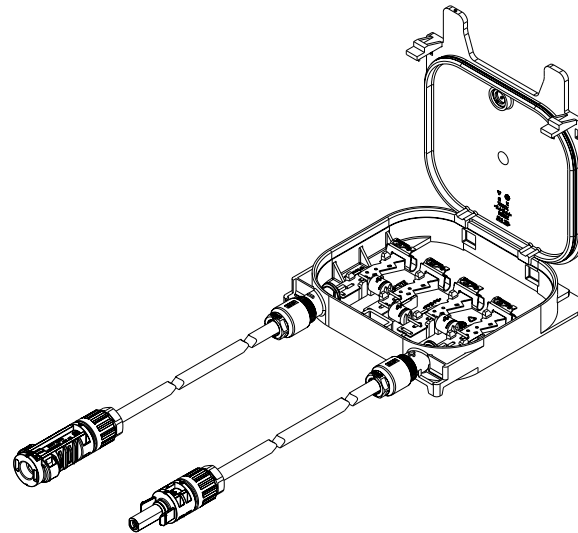
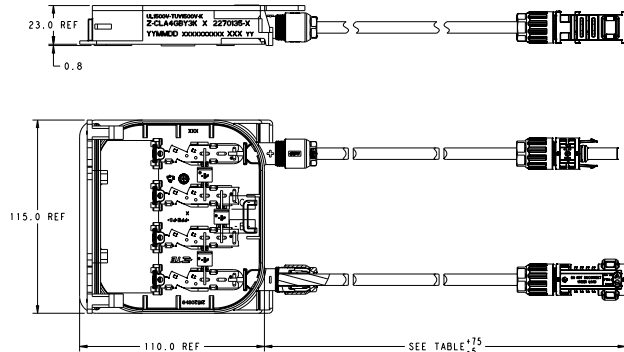


[1740873-8](#)  
OMEGA CLIP



[2232234-1](#)  
S-CLIP

## Dimensions



te.com

© 2018 TE Connectivity. All Rights Reserved. SOLARLOK, TE, TE Connectivity, and the TE connectivity (logo) are trademarks of the TE Connectivity. Other logos, product and Company names mentioned herein may be trademarks of their respective owners.

While TE has made every reasonable effort to ensure the accuracy of the information in this brochure, TE does not guarantee that it is error-free, nor does TE make any other representation, warranty or guarantee that the information is accurate, correct, reliable or current. TE reserves the right to make any adjustments to the information contained herein at any time without notice. TE expressly disclaims all implied warranties regarding the information contained herein, including, but not limited to, any implied warranties of merchantability or fitness for a particular purpose. The dimensions in this catalog are for reference purposes only and are subject to change without notice. Specifications are subject to change without notice. Consult TE for the latest dimensions and design specifications.

1-773878-6 JN 11/2018

USA: +1 (800) 522-6752  
 Canada: +1 (905) 475-6222  
 Mexico: +52 (0) 55-1106-0800  
 Latin/S. America: +54 (0) 11-4733-2200  
 Germany: +49 (0) 6251-133-1999  
 UK: +44 (0) 800-267666  
 France: +33 (0) 1-3420-8686  
 The Netherlands: +31 (0) 73-6246-999  
 China: +86 (0) 400-820-6015