



# DEUTSCH UIC 558 SERIES

AUDIO COUPLER 13 OR 18 CONTACTS

- Compliant to UIC 558 Standard
- EN 45545
- Rail Networks approved
- Full UIC package available
- Low maintenance cost
- Field-proven

## Main Technical Characteristics

### Electrical

- Contact : 13 or 18 Ø3 mm (Plug), 18 Ø3 mm (Receptacle)
- Nominal Rating : 10 A
- Service Voltage : 110 V
- Withstand Voltage : 2 000 V
- Insulation strength : > 10 000 mΩ
- Contact Resistance : < 1 mΩ

### Material

- Receptacle Housing : Aluminium
- Plug : Composite
- Contacts : Silver plated Brass (gold plating available)
- Fire proof : NF F 16-102 requirement 2, UL94-V0, EN 45545

### Climatical

- Temperature range : -40°C +120°C
- Protection Index : IP67
- Salt Spray : 96 Hours

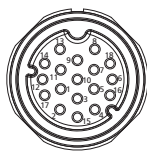
### Mechanical

- Mating cycles : 10 000
- Vibrations : 2 g - From 10 to 100 Hz (NF F 60-002)
- Shocks : 30 g - 18 ms semi sinusoidal (NF C 20-727)
- Cable-gland PG21 included for cable Ø15 to 19 mm

## Dimensions (mm/inch)

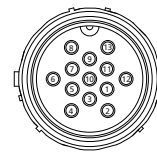
Female Front View

18 contacts

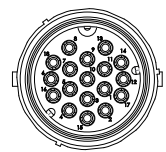


Male Front View

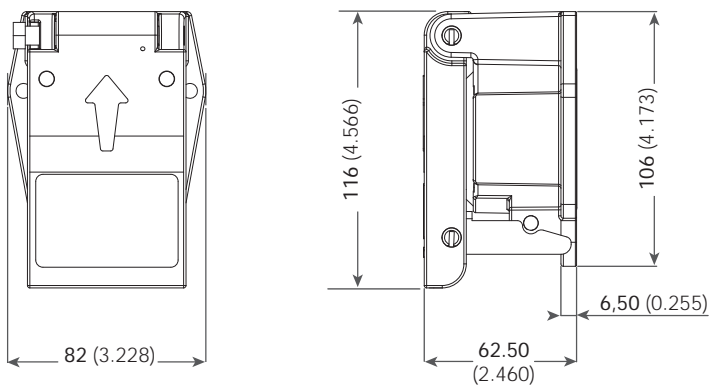
13 contacts



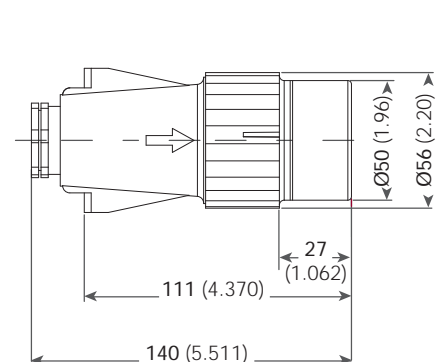
18 contacts



Female Receptacle

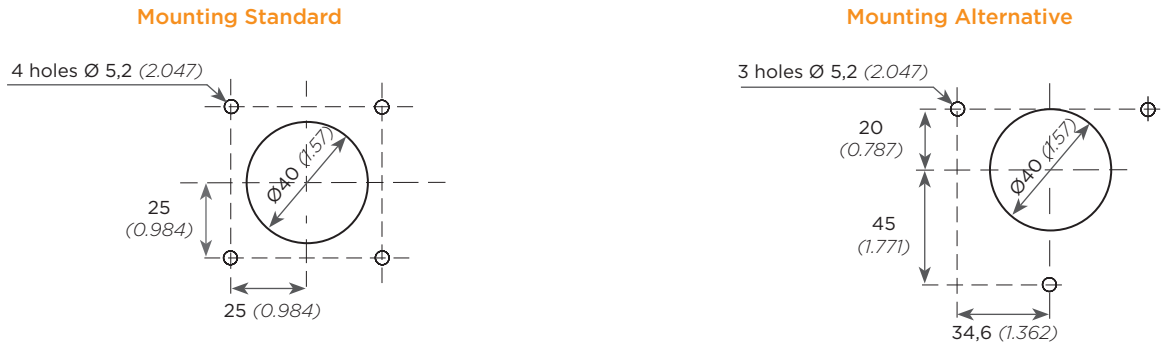


Male Plug



## Panel cut out (mm/inch)

2 possibilities :



## Part Numbers

	Description	TE Part No.
Female Receptacle	with insert including 18 silver plated female contacts, Grey paint finish	CSF1680-0001-00000
	with insert including 18 silver plated female contacts, Red paint finish	CSF1680-4000-00000
	with insert including 18 silver plated female contacts, Unpainted	CSF1680-0001-A0001
Dummy Receptacle	with socket insert, without female contacts, Grey paint finish	CSF1680-0003-00000
	with socket insert, without female contacts, Unpainted	CSF1680-0003-A0001
Empty Receptacle Shell	without insert, Grey paint finish	CSF1680-0003-A0002
Male Plug	with insert including 13 contacts, with cable gland Ø 15 to 19 mm	CSF1705-0007-00000
	with insert including 18 contacts, with cable gland Ø 15 to 19 mm	CSF1680-0002-00000

Inserts and contacts also separately available. Connector with configuration cable on request. Contact TE for more details.

## Tooling

	TE Part No.
Crimping Tool : DMC FT8	OUT0405-0167AS
Locator for crimping female contacts	OUT0405-0164AS
Locator for crimping male contacts	OUT0405-0201AS
Extraction Tool	OUTCCI EXT-C0000

## For More Information

### TE Connectivity (TE) Technical Support Center

North America	+1 800 522 6752
Asia Pacific	+86 0 400 820 6015
Austria	+43 1 905 601 228
Baltic Regions	+46 8 5072 5000
Benelux	+31 73 6246 999
Czech Republic	+420 800 701 462
France	+33 1 34 20 86 86
Germany	+49 6251 133 1999
Hungary	+36 809 874 04
Italy	+39 011 401 2632
Nordic	+46 8 5072 5000
Poland	+48 800 702 309
Russia	+7495 790 790 2
Spain/Portugal	+34 93 2910366
Switzerland	+41 52 633 66 26
United Kingdom	+44 800 267 666

Follow us on Twitter for all the latest product news  
@TEConnectivity, and on Facebook, TEConnectivity.

#### **te.com/Rail**

© 2015 TE Connectivity Ltd. family of companies. All Rights Reserved.

1-1773868-6 RAIL 10/2015

Legal, EVERY CONNECTION COUNTS, TE Connectivity, TE connectivity (logo) and TE (logo) are trademarks of the TE Connectivity group of companies and its licensors.

Other product or company names mentioned herein may be trademarks of their respective owners.

While TE has made every reasonable effort to ensure the accuracy of the information herein, nothing herein constitutes any guarantee that such information is error-free, or any other representation, warranty or guarantee that the information is accurate, correct, reliable or current. The TE entity issuing this publication reserves the right to make any adjustments to the information contained herein at any time without notice. All implied warranties regarding the information contained herein, including, but not limited to, any implied warranties of merchantability or fitness for a particular purpose are expressly disclaimed.

The dimensions herein are for reference purposes only and are subject to change without notice. Specifications are subject to change without notice.

Consult TE for the latest dimensions and design specifications.