

## QUICK REFERENCE GUIDE

# MINI-UNIVERSAL MATE-N-LOK CONNECTOR SYSTEM

### PRODUCT DESCRIPTION

The Mini-Universal MATE-N-LOK Connector System offers wire-to-wire and wire-to-board connections with contacts on a 4.14 mm [.163] centerline and current ratings up to 9.5 Amps max. per line. Plug and receptacle housings allow wire-to-wire and wire-to-panel configurations and header assemblies offer wire-to-board connections in vertical and right angle configurations. Wire-to-wire, free-hanging or panel mount options are available in 1-15 position in-line, dual row or matrix configurations and wire-to-board systems in dual row and matrix configurations are available in 2-24 positions. Hermaphroditic housings are also available in 2-4 positions for free-hanging applications. Crimp, snap-in pin and receptacle contacts are used to terminate 30-16 [0.05-1.2 mm<sup>2</sup>] AWG wire with insulation diameters up to 3.20 mm. The Mini-Universal MATE-N-LOK Connector System also offers a splash-proof design allowing for use in areas where high humidity, intermittent liquid splashing or foam-in applications require a sealed connector for improved electrical performance. The sealed system is available in select 2-16 positions.

### INDUSTRIES

- Household appliances
- Indoor and outdoor lighting
- Medical equipment
- Security systems
- Industrial controls
- HVAC system controls
- Storage and networking systems

### FEATURES AND BENEFITS

- Discrete wire interconnect available in 1-24 position
- wire-to-wire and wire-to-board pin and receptacle connector system
- Contacts are on 4.14 mm centerline spacing
- Contacts are available in strip form or loose piece
- Pins and sockets can be accommodated in the same housing
- Vertical and right angle pin headers
- Splash-proof design for applications that require sealing
- UL, CSA & VDE approved

# MINI-UNIVERSAL MATE-N-LOK CONNECTOR SYSTEM

## CONTACTS

Wire Size Range AWG	Ins. Dia. Range	Plating		Pin		Socket		Automatic	Semiautomatic		Hand Tool part no.
		Pre-Tin	Gold	Strip From	Loose Piece	Strip From	Loose Piece		K Press	G Press	
30-26 [.05-.12]	.035-.050 [.889-1.27]	x		770835-1	794059-1	770834-1	794058-1	567418-1	567418-2	567418-3	90717-2
30-26 [.05-.12]	.035-.050 [.889-1.27]		x	1-770835-0	1-794059-0	1-770834-0	1-794058-0	567418-1	567418-2	567418-3	90717-2
26-22 [.12-.3]	.047-.069 [1.19-1.75]	x		770901-1*	770985-1*	770702-1*	770986-1*	567066-1	567066-2	567418-3	91529-1
26-22 [.12-.3]	.047-.069 [1.19-1.75]		x	1-770901-0*	1-770985-0*	1-770902-0*	1-770986-0*	567066-1	567066-2	567418-3	91529-1
22-18 [.3-.8] or 22 x (2) [.3]	.059-.094 [1.50-2.39] or 0.67 x (2) [3.38]	x		770903-1*	770987-1*	770904-1*	770988-1*	567067-1	567067-2	567067-3	91522-1
22-18 [.3-.8] or 22 x (2) [.3]	.059-.094 [1.50-2.39] or 0.67 x (2) [3.38]		x	1-770903-0*	1-770987-0*	1-770904-0*	1-770988-0*	567067-1	567067-2	567067-3	91522-1
20-16 [.5-.12] or 20 x (2) [.5]	.079-.126 [2.01-3.20] or .075 x (2) [1.91]	x		794406-1	171638-1	794407-1	171639-1	680582-1	680582-2	680582-3	91536-1
20-16 [.5-.12] or 20 x (2) [.5]	.079-.126 [2.01-3.20] or .075 x (2) [1.91]		x	1-794406-0		1-794407-0		680582-1	680582-2	680582-3	91536-1
22-26	.050-.069 [1.27-1.75]	x		770901-1	770985-1	770902-1	770986-1				
22-26	.050-.069 [1.27-1.75]		x	1-770901-0	1-770985-0	1-770902-0	1-770986-0				
18-22	.050-.083 [1.27-2.11]	x		794406-1		794831-1					
18-22	.050-.083 [1.27-2.11]		x	794406-3		794831-3					
16	.050-.083 [1.27-2.11]	x		1586537-1		1586538-1					
16	.050-.083 [1.27-2.11]		x	-		1586538-3					

\*Can be used in conjunction with individual wire seal - part no. 794758-1

Contact Extraction Tool Part No. 189727-1

Contact Insertion Tool Part No. 91002-1



Pin

Socket

The Mini-Universal MATE-N-LOK contacts are brass with pre-tin or gold plating. See catalog 82181 for additional available options. The contacts are fully protected in the housings. The pins and sockets can be accommodated in the same housing.

# MINI-UNIVERSAL MATE-N-LOK CONNECTOR SYSTEM

## CAP HOUSINGS

No. of Circuits	UL94V-0		UL94V-2		Configurations		
	Panel Mount	Free-Hanging	Panel Mount	Free-Hanging	Single Row	Dual Row	Matrix
1		172156-1		172327-1	x		
2	172157-1	172233-1	172328-1	172343-1	x		
3	172158-1	172234-1	172329-1	172344-1	x		
4		172159-1		172330-1		x	
6		172160-1		172331-1		x	
9		172161-1		172332-1			x
12		172162-1		172333-1			x

## HERMAPH RODITIC HOUSINGS

No. of Circuits	UL94V-0 Nylon, White Color	UL94V-2, Natural Color
2	173956-1	172807-1
3	173957-1	172808-1
4	173958-1	172809-1

**Note:** Housing mates to itself; 2 required per wire-to-wire connection



**Cap Housing**

# MINI-UNIVERSAL MATE-N-LOK CONNECTOR SYSTEM

## VERTICAL PIN HEADERS

No. of Circuits	Vertical		In Line	Dual Row	Matrix	Tin	Gold
	With Drain Holes	W/out Drain Holes					
2	1-770166-0	1-770872-0	x			x	
2	1-770166-1	1-770872-1	x				x
3	1-770170-0	1-770873-0	x			x	
3	1-770170-1	1-770873-1	x				x
4	1-770174-0	1-770874-0		x		x	
4	1-770174-1	1-770874-1		x			x
6	1-770178-0	1-770875-0		x		x	
6	1-770178-1	1-770875-1		x			x
8	1-794065-0	1-794073-0		x		x	
8	1-794065-1	1-794073-1		x			x
9	1-770182-0	1-770976-0			x	x	
9	1-770182-1	1-770976-1			x		x
10	1-770743-0	1-770858-0		x		x	
10	1-770743-1	1-770858-1		x			x
12	1-794066-0	1-770621-0		x		x	
12	1-794066-1	1-770621-1		x			x
12	1-770186-0	1-794040-0			x	x	
12	1-770186-1	1-794040-1			x		x
14	1-794067-0	1-794074-0		x		x	
14	1-794067-1	1-794074-1		x			x
15	1-770190-0	1-770859-0			x	x	
15	1-770190-1	1-770859-1			x		x
16	1-794068-0	1-794075-0		x		x	
16	1-794068-1	1-794075-1		x			x
18	1-794069-0	1-794076-0		x		x	
18	1-794069-1	1-794076-1		x			x
20	1-794070-0	1-794077-0		x		x	
20	1-794070-1	1-794077-1		x			x
22	1-794071-0	1-794078-0		x		x	
22	1-794071-1	1-794078-1		x			x
24	1-794072-0	1-794079-0		x		x	
24	1-794072-1	1-794079-1		x			x



Vertical Pin Header

# MINI-UNIVERSAL MATE-N-LOK CONNECTOR SYSTEM

## RIGHT ANGLE HEADERS

No. of Circuits	Part No.	In Line	Dual Row	Gold	Tin
1	1-794374-0				x
1	1-794374-1			x	
2	1-770966-0	x			x
2	1-770966-1	x		x	
3	1-770967-0	x			x
3	1-770967-1	x		x	
4	1-770968-0		x		x
4	1-770968-1		x	x	
6	1-770969-0		x		x
6	1-770969-1		x	x	
8	1-770970-0		x		x
8	1-770970-1		x	x	
10	1-770971-0		x		x
10	1-770971-1		x	x	
12	1-770972-0		x		x
12	1-770972-1		x	x	
14	1-770973-0		x		x
14	1-770973-1		x	x	
16	1-770974-0		x		x
16	1-770974-1		x	x	
18	1-794105-0		x		x
18	1-794105-1		x	x	
20	1-794106-0		x		x
20	1-794106-1		x	x	
22	1-794107-0		x		x
22	1-794107-1		x	x	
24	1-794108-0		x		x
24	1-794108-1		x	x	



**Right Angle Pin Header**

# MINI-UNIVERSAL MATE-N-LOK CONNECTOR SYSTEM

## VERTICAL PC BOARD BLINDMATE PIN HEADERS

No. of Circuits	Part No. w/ Drain Holes	Dual Row	Matrix	Tin	Gold
4	1-794325-0	x		x	
4	1-794325-1	x			x
6	1-794326-0	x		x	
6	1-794326-1	x			x
8	1-794327-0	x		x	
8	1-794327-1	x			x
9	1-794432-0		x	x	
9	1-794432-1		x		x
10	1-794328-0	x		x	
10	1-794328-1	x			x
12	1-794329-0		x	x	
12	1-794329-1		x		x
15	1-794330-0		x	x	
15	1-794330-1		x		x



Vertical PC Board Pin Header

## GANG SEALS

No. of Circuits	Interface Seals	Gang Wire Seal	Plug for Sealing	Cap for Sealing	Vertical Headers for Sealing*	Right Angle Headers for Sealing*
2	794772-2	1586359-2	794894-1	794896-1	1-770872-x	1-770966-x
4	794772-4	1586359-4	794805-1	794939-1	1-770874-x	1-770968-x
6	794772-6	1586359-6	794895-1	794940-1	1-770875-x	1-770969-x
8	794772-8	1586359-8	794821-1	794941-1	1-794073-x	1-770970-x
10	1-794772-0	1-1586359-0	794781-1	794942-1	1-770858-x	1-770971-x
16	1-1586362-6	1-1586359-6	794824-1		1-794075-x	1-770974-x



Single & Gang Wire Seals with Interfacial Seal



Single Wire Seal



Gang Seal



Single Wire Seal



Wire Seal Configuration

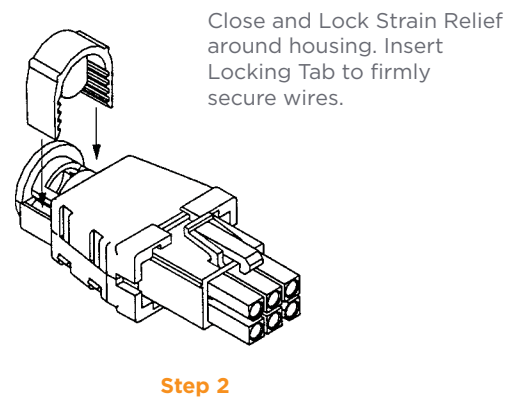
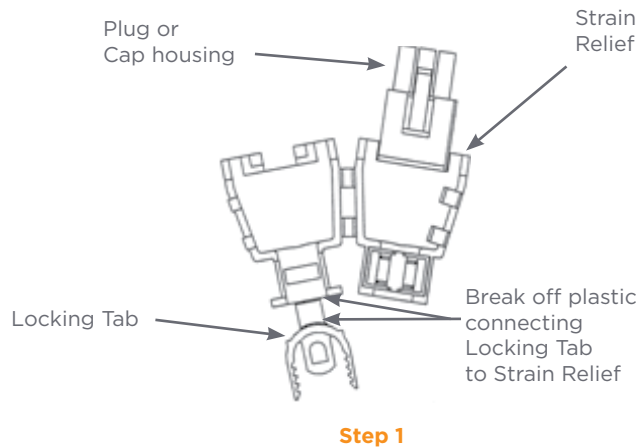
# MINI-UNIVERSAL MATE-N-LOK CONNECTOR SYSTEM

## PLUG HOUSINGS

No. of Circuits	UL94V-0	UL94V-2	Single Row	Dual Row	Matrix
1	172164-1	172335-1	x		
2	172165-1	172336-1	x		
3	172166-1	172337-1	x		
4	172167-1	172338-1		x	
6	172168-1	172339-1		x	
8	770579-1	-		x	
9	172169-1	172340-1			x
10	770580-1	-		x	
12	172170-1	172341-1			x
12	770581-1	-		x	
14	770582-1	-		x	
15	172171-1	172342-1			x
16	770583-1	-		x	
18	770584-1	-		x	
20	770585-1	-		x	
22	770586-1	-		x	
24	770587-1	-		x	

## STRAIN RELIEFS - PLUG OR CAP HOUSINGS

No. of Circuits	Wire Bundle Dia. Range	UL94V-0 Part No.	Use with:	Dual Row	Matrix
6	.135-.220, 4.19-5.59	794423-1	172168-1, 172160-1, 172339-1, 172331-1	x	
8	.180-.245, 4.57-6.22	794370-1	770979-1	x	
9 Plug		316454-1	172169-1, 172340-1		x
9 Cap		316455-1	172161-1, 171232-1		x



# MINI-UNIVERSAL MATE-N-LOK CONNECTOR SYSTEM

## CONNECTOR KITS

Kit Part Number	Description
1-2110832-0	Mini-Universal MATE-N-LOK Panel Mount Plug and Receptacle Kit
1-2110832-1	Mini-Universal MATE-N-LOK Vertical Header and Plug Connector Kit
1-2110832-2	Mini-Universal MATE-N-LOK Right Angle Header and Plug Connector Kit
1-2110832-3	Mini-Universal MATE-N-LOK Plug and Receptacle Connector Kit
1-2110832-5	Mini-Universal MATE-N-LOK Deluxe Header, Plug, Receptacle and Sealed Components Kit
1-2110832-7	Mini-Universal MATE-N-LOK and Universal MATE-N-LOK Deluxe Sealed Plug, Receptacle and Components Kit
1-2110832-8	Mini-Universal MATE-N-LOK, Universal MATE-N-LOK and Universal MATE-N-LOK II Deluxe Plug and Receptacle Connector Kit

## QUESTIONS THAT WILL HELP YOU BETTER SELECT THE PRODUCT THAT YOU NEED:

### What are the current and voltage requirements for your application?

The Mini-Universal MATE-N-LOK connector system has a maximum current rating of 9.5 Amps per line and is rated for 600 Volts AC/DC.

### What are the wire type and size requirements?

The Mini-Universal MATE-N-LOK connector system contacts are approved for use with 4 different wire ranges from 30 AWG [0.05] to 16 AWG [1.20] wire with a maximum insulation diameter of .126 [3.20].

### What are the number of positions?

The Mini-Universal MATE-N-LOK connector system is available in wire-to-wire, free-hanging or panel mount options in 1-15 position in-line, dual row or matrix configurations and wire-to-board is available in 2-24 positions dual row and matrix configurations. The hermaphroditic housings are available in 2-4 positions for freehanging applications and the sealed system is available in select 2-16 positions.

### What are the operating temperature requirements?

The Mini-Universal MATE-N-LOK connector system has a maximum operating temperature of 105°C. For more information regarding operating temperatures refer to product specification 108-1542.

### What is the benefit of using the hermaphroditic housings?

The Mini-Universal MATE-N-LOK connector system offers a special hermaphroditic housing design where 2 of the same housings in the same position size mate to one another. The benefit of this design simply reduces the amount of part numbers and inventory for the user.

### What is the benefit of using the Mini-Universal MATE -N-LO K Sealed Connector System?

The Mini-Universal MATE-N-LOK Sealed Connector System offers a splash-proof design for use in areas where high humidity, intermittent liquid splashing or foam-in applications require a sealed connector for improved electrical performance. The sealed system is available in select 2-16 positions and requires either individual or ganged wire seals and an interface seal in conjunction with the plug and cap housings uniquely designed to accommodate these seals. The sealed plug housings with wire and interface seal can also be mated to the standard Mini-Universal MATE-N-LOK headers without drain holes for a sealed wire to board application.

Part numbers in this brochure are RoHS Compliant\*, unless marked otherwise.  
\*as defined [www.te.com/leadfree](http://www.te.com/leadfree)

## te.com

MATE-N-LOK, TE, TE Connectivity and TE connectivity (logo) are trademarks owned or licensed by the TE Connectivity Ltd. family of companies. All other logos, products and/or company names referred to herein might be trademarks of their respective owners.

The information given herein, including drawings, illustrations and schematics which are intended for illustration purposes only, is believed to be reliable. However, TE Connectivity makes no warranties as to its accuracy or completeness and disclaims any liability in connection with its use. TE Connectivity's obligations shall only be as set forth in TE Connectivity's Standard Terms and Conditions of Sale for this product and in no case will TE Connectivity be liable for any incidental, indirect or consequential damages arising out of the sale, resale, use or misuse of the product. Users of TE Connectivity products should make their own evaluation to determine the suitability of each such product for the specific application.

© 2023 TE Connectivity Ltd. family of companies. All Rights Reserved.

02/23 Original

## FOR MORE INFORMATION

### TE TECHNICAL SUPPORT CENTER

USA:	+1 (800) 522-6752
Canada:	+1 (905) 475-6222
Mexico	+52 (0) 55-1106-0800
Latin/S. America:	+54 (0) 11-4733-2200
Germany:	+49 (0) 6251-133-1999
UK:	+44 (0) 800-267666
France:	+33 (0) 1-3420-8686
Netherlands:	+31 (0) 73-6246-999
China:	+86 (0) 400-820-6015