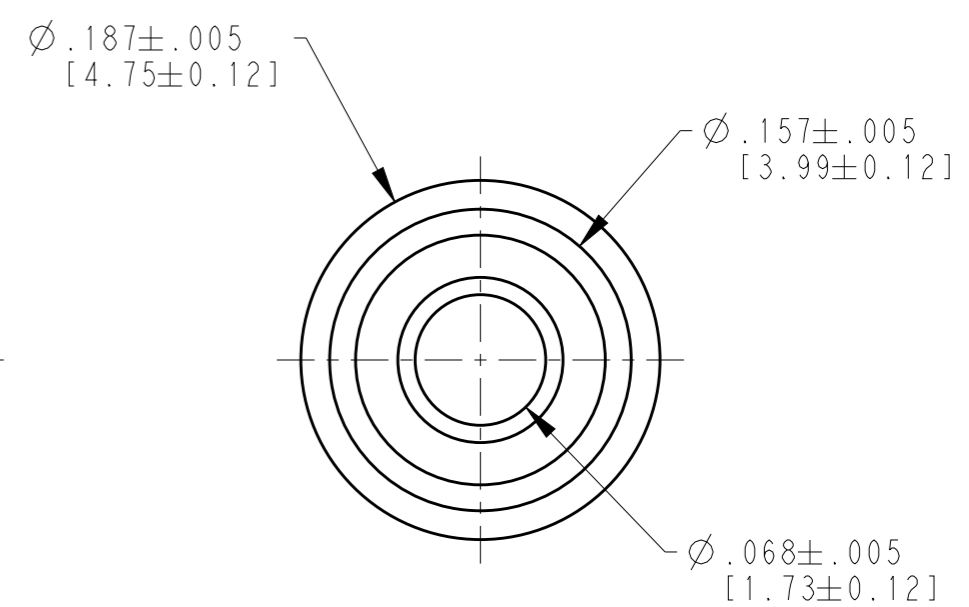
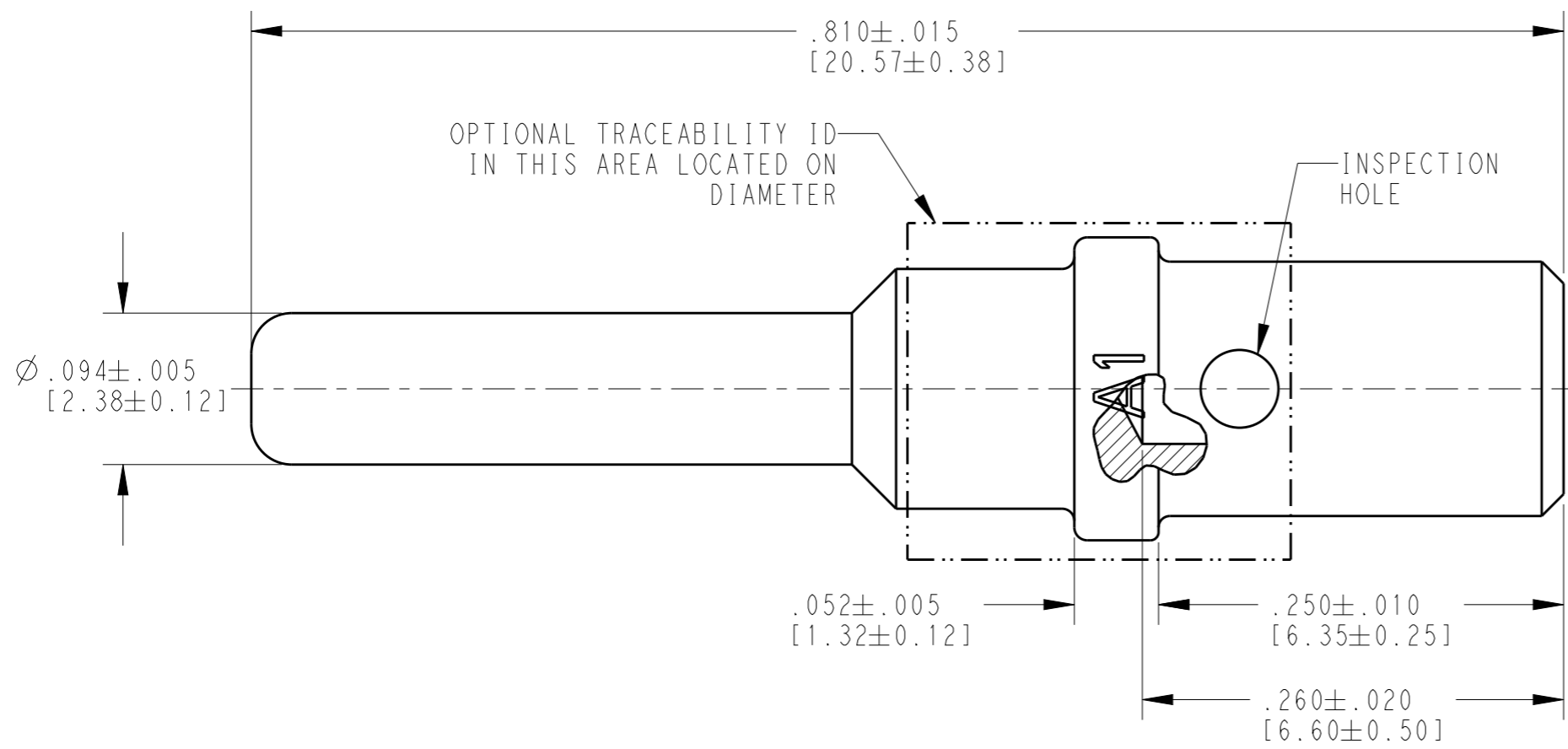


REVISIONS

P	LTR	DESCRIPTION	DATE	DWN	APVD
	A	REVISED PER E.O. A13689	29OCT1993	JN	JA
	B	REVISED/REDRAWN PER E.O. P19437	18DEC2006	JA	RDR
	C	REVISED PER PCN E-18-012207	31JUL2018	JA	DM
	C1	REVISED PER PCN E-19-018080	19NOV2019	MK	DM



(C1) 1. SEE APPLICATION SPECIFICATION 114-151004 FOR CRIMP TOOLS AND WIRE RANGE

NOTES: UNLESS OTHERWISE SPECIFIED

TE INTERNAL PN	DEUTSCH PN	PLATING
0460-256-12233	0460-256-12233	GOLD

THIS DRAWING IS A CONTROLLED DOCUMENT.		DWN J. APOSTOL 26OCT2006	TE TE Connectivity	
DIMENSIONS: INCHES [mm]		CHK B. BYFORD 15DEC2006		
TOLERANCES UNLESS OTHERWISE SPECIFIED:		APVD R. REED 18DEC2006	NAME CONTACT PIN SIZE 12, REDUCED CRIMP BARRELL	
0 PLC ±		PRODUCT SPEC 108-151004	SIZE A3	
1 PLC ±		APPLICATION SPEC 114-151004	CAGE CODE 4AFU8	DRAWING NO 0460-256-12XX
2 PLC ±		WEIGHT 1.48g	RESTRICTED TO -	
3 PLC ±		CUSTOMER DRAWING	SCALE 10:1	SHEET 1 OF 1
4 PLC ±			REV C1	
ANGLES ±				
FINISH				
MATERIAL				