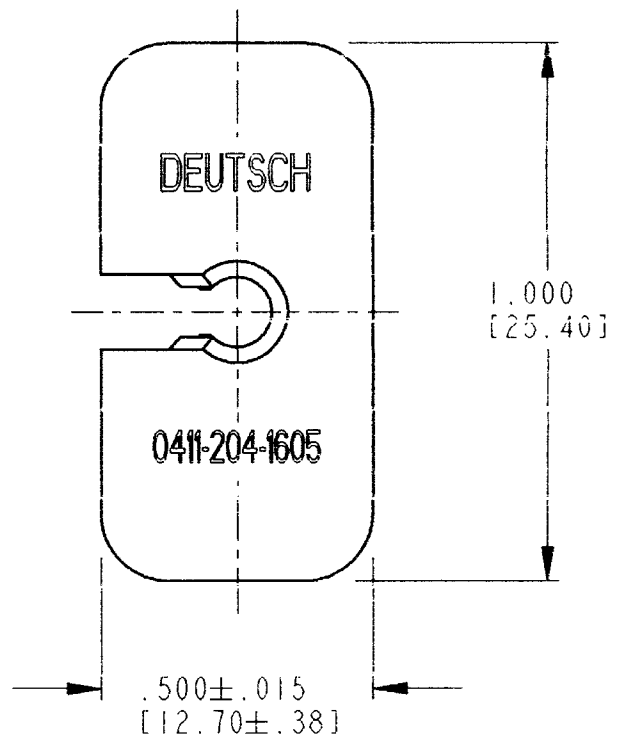
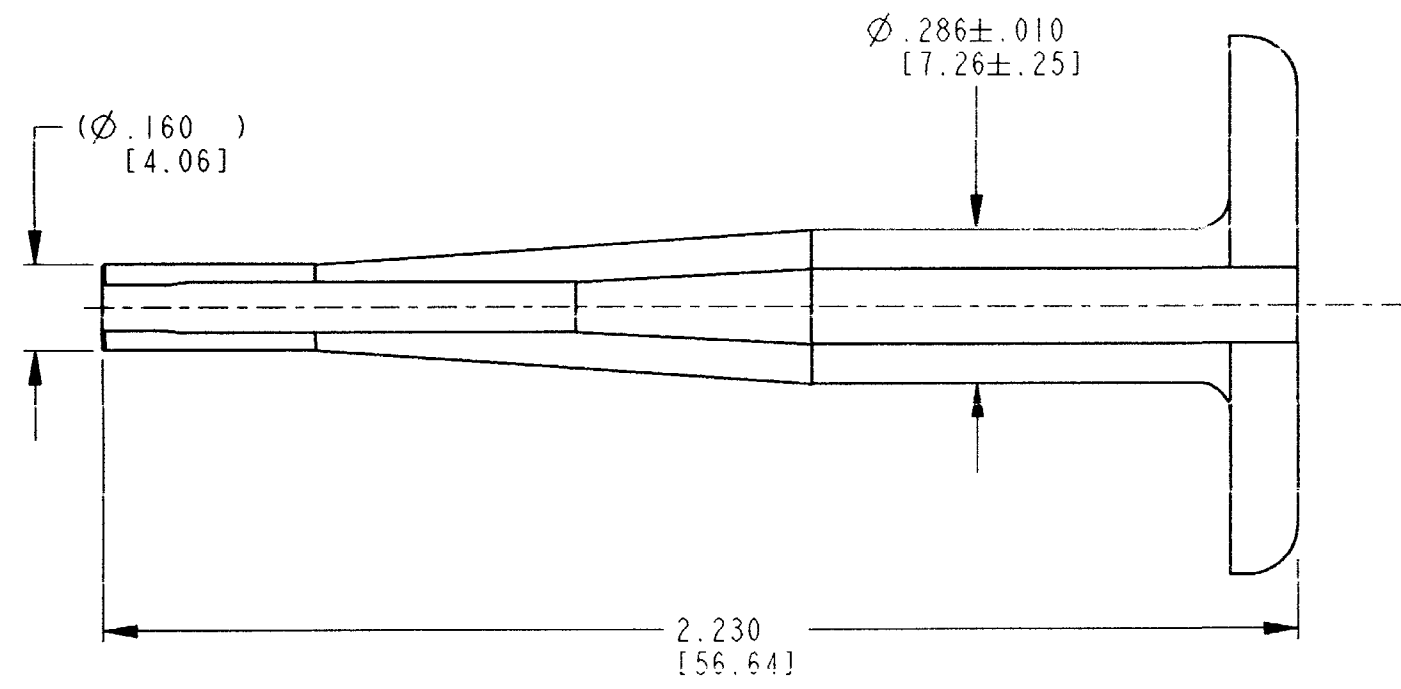


REV  
C 0411-204-1605

REVISIONS			
SYM	DESCRIPTION	DATE	APPROVED
NC	NEW RELEASE PER E.O. 84/40	11/1/77	A.
A	REVISED PER E.O. A6838	7/1/87	J.R.A.
B	REVISED/REDRAWN PER E.O. P19263	5/25/06	R.D.R.
C	REVISED PER E.O. P20248	7-20-09	RDR



3. MATERIAL: PLASTIC, BLUE.  
 2. ALL DIMENSIONS ARE  $\pm .025$  [ .64 ] UNLESS OTHERWISE SPECIFIED.  
 NOTES: 1. DIMENSIONS ARE IN INCHES [MILLIMETERS].

SIGNATURE & DATE	
DR	A. MALAGON 17MAY06
CHK	
PE	
APPD	
SCALE	NONE WT

PROBE TOOL  
EXTRACTION  
SIZE 16  
  
ENVELOPE

EP	MAIL CODE
	3850 INDUSTRIAL AVE. HEWET, CA 92545
<b>DEUTSCH</b> INDUSTRIAL	
<b>B</b>	<b>0411-204-1605</b>
DWG SIZE	CODE 11139 SHEET   OF