

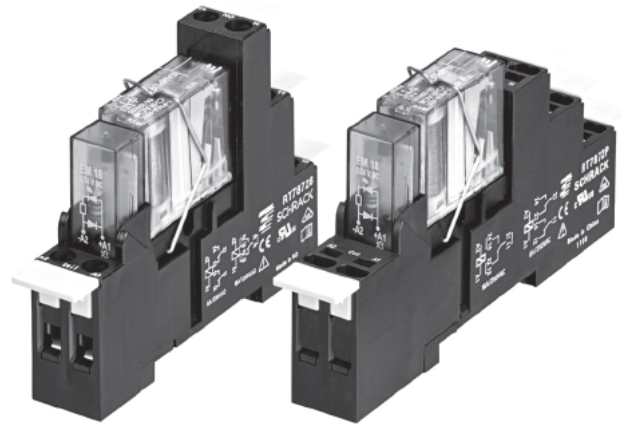
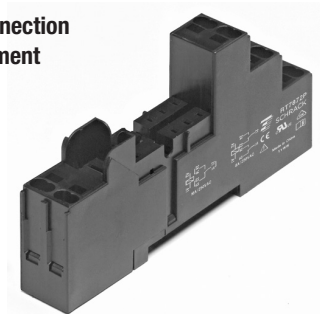
**Accessories Force Guided Relay SR2M Plug-in**

- For Force Guided Relay SR2M Plug-in, pinning 5 mm
- Simple plug-in indicator- and protection modules
- white snap-on marking tags
- RoHS compliant (Directive 2011/65/EU)

**Premium socket with screwless terminals for DIN rail mounting**

RT 78 72P Premium socket, logical terminal arrangement

- Screwless Clamps
- Mounting of solid wires without tool
- Double Clamps per terminal
- Jumper links for interconnection
- Logical terminal arrangement

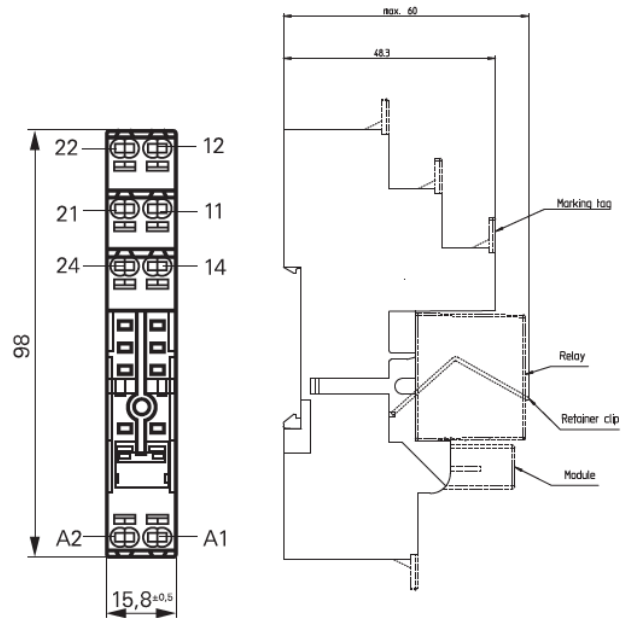


**Approvals**

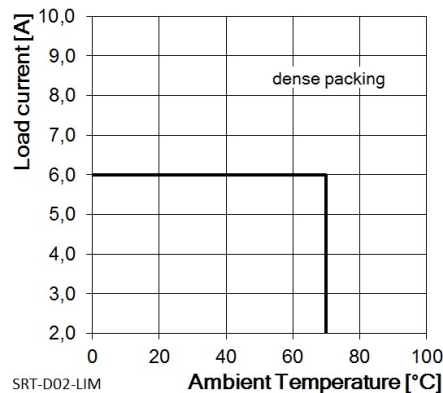
VDE 116064, UL E135149

**Technical Data**

Rated voltage / Max. switching voltage	240 / 400 VAC
Rated current	2 x 6A
Dielectric strength	
coil contact circuit	4000 V <sub>rms</sub>
open contact circuit	1000 V <sub>rms</sub>
adjacent contact circuit	2500 V <sub>rms</sub>
Clearance / creepage coil contact circuit	≥ 8 / 8mm
Material group of insulation parts	IIIa
Flammability class UL 94	V-0
Insulation to IEC 60664-1	
Type of insulation coil-contact circuit	reinforced
open contact circuit	functional
adjacent contact circuit	functional
Rated insulation voltage	250 V
Pollution degree	2
Rated voltage system	230 / 400 V
Overvoltage category	III
RoHS - Directive 2002/95/EC	compliant
Ambient temperature range	
for mounting/handling	-20...+70°C
in operation	-25...+70°C
Terminals	screwless
Wire strip length	12 mm



**Derating Curve RT7872P**



**Accessories Force Guided Relay SR2M Plug-in (Continued)**

Wire cross section

solid wire	
with standard isolation (no oversize isolation)	1x0.75/1/1.5mm <sup>2</sup> 2x0.75/1.5mm <sup>2</sup> 2x1.5mm <sup>2</sup>
stranded wire	
without bootlace crimp	1x0.75/1/1.5mm <sup>2</sup> 2x0.75mm <sup>2</sup> 2x1.5mm <sup>2</sup>
without bootlace crimp with standard isolation	2x1.5mm <sup>2</sup>
with bootlace crimp	1x0.75/1.5mm <sup>2</sup> 2x0.75mm <sup>2</sup>
with bootlace crimp without isolation or min 18 mm long	1x0.75/1.5mm <sup>2</sup>

For stranded wires with braids 0.05 mm or smaller the use of bootlace crimps is recommended. When using stranded wires without bootlaces crimp the clamp must be opened during insertion.

Insertion cycles	A (10)
Max. Insertion Force total	100N
Mounting distance	≥ 0, dense packing
Weight	36 g
Packaging unit	10 pcs

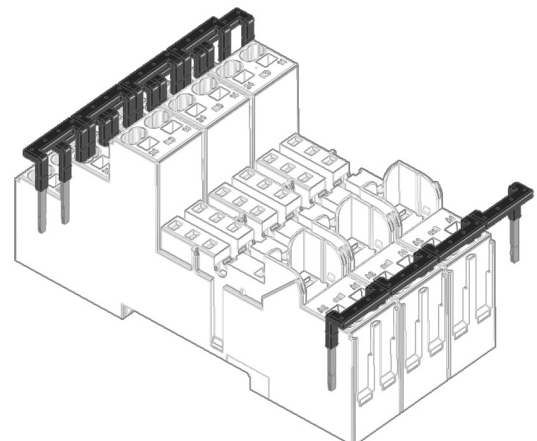
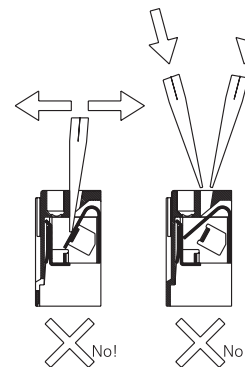
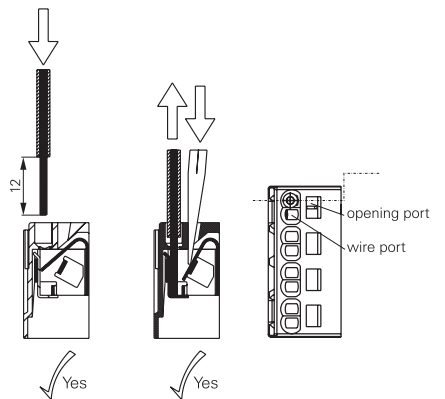
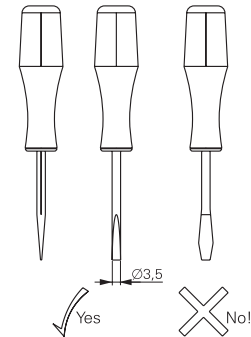
**Socket with screwless terminals for DIN rail mounting**

Type		Part Number
RT 78 72P	Premium socket, logical terminals arrangement Socket with screwless terminals, pinning 5 mm for DIN rail mounting	1860200-1

**Accessories for RT 78 72P**

Type		Part Number
XT 28816	Metal retaining clip, relay height 25.5mm	1887204-1
RT 17 040	Marking tag	2-1415038-1
RT 17 0P1	Jumper link, max load 12A	1860211-1

**How to use, Precautions**

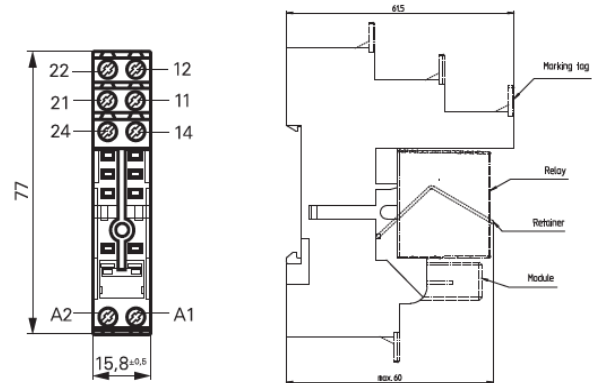
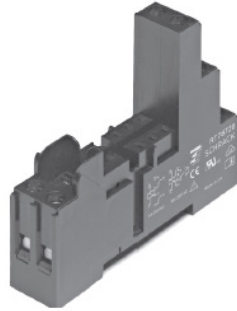


**Accessories Force Guided Relay SR2M Plug-in (Continued)**

**Socket with screw-type terminals for DIN rail mounting**

RT 78 726 Socket with screw-type terminals, logical terminal arrangement

- Din-rail socket with logical setup of connectors (input/output)
- High quality rising clamp terminals
- Captive combination terminals screws
- Jumper bars for interconnection

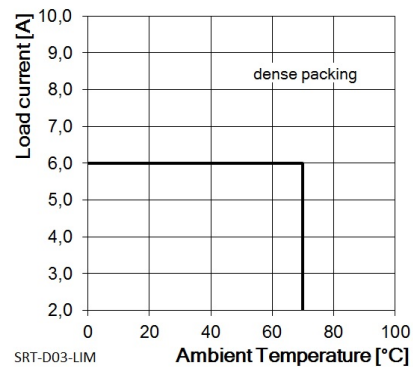


**Approvals**

VDE 116064, UL E135149

Technical data		RT 78 726
Rated voltage / Max. switching voltage		240 / 400VAC
Rated current		2x6A
Dielectric strength	coil contact circuit	4000 V <sub>rms</sub>
	open contact circuit	1000 V <sub>rms</sub>
	adjacent contact circuit	2500 V <sub>rms</sub>
Clearance / creepage coil contact circuit		≥ 8 / 8mm
Material group of insulation parts		IIIa
Flammability class UL 94		V-0
Insulation to IEC 60664-1		
Type of insulation	coil-contact circuit	reinforced
	open contact circuit	functional
	adjacent contact circuit	functional
Rated insulation voltage		250V
Pollution degree		2
Rated voltage system		230 / 400V
Overvoltage category		III
RoHS - Directive 2002/95/EC		compliant
Ambient temperature range		
	for mounting/handling	-20...+70°C
	in operation	-25...+70°C

**Derating Curve RT 78726 (SR2M)**



**Accessories Force Guided Relay SR2M Plug-in (Continued)**

Terminals	screw
Terminals screw torque acc. IEC 61984	0.5Nm
Terminals max.	0.7Nm
Wire cross section	
single wire	2 x 2.5 mm <sup>2</sup>
fine wire	2 x 2.5 mm <sup>2</sup>
with bootlace crimp (DIN 46228/1)	2 x 1.5 mm <sup>2</sup>
Insertion cycles	A (10)
Max. Insertion Force total	120 N
Mounting distance	≥ 0, dense packing
Weight	36 g
Packaging unit	10 pcs

**Socket with screw-type terminals for DIN rail mounting**

Type		Part Number
RT 78 726	Socket with screw-type terminals, pinning 5 mm for DIN rail mounting, logical terminal arrangement	6-1415035-1

**Accessories for RT 78 726**

Type		Part Number
XT 28816	Metal retaining clip, relay height 25.5 mm	1887204-1
RT 17 040	Marking tag	2-1415038-1
RT 17 0R8	Jumper bar, max load 12A for connection of up to 8 RT Sockets	1860517-8

**LED- and Protection Modules for RT7872P, RT78726**

Easy insertion of module into the socket

Wiring in parallel to the coil

Type			Part Number
PTM T0 0A0	EM09	Protection diode (standard, A1+, A2-)	9-1415036-1
PTM T0 0L0	EM01	Protection diode(A1-, A2+)	1415037-1

**LED**

PTM L0 024	EM18	red LED 6...24VDC w. prot.diode (std, A1+, A2)	5-1415036-1
PTM G0 024	EM12	green LED 6...24VDC w. prot.diode (std, A1+, A2-)	2-1415036-1
PTM L1 024	EM08	red LED 6...24 VDC w. prot. Diode (A1-, A2+)	8-1415036-1
PTM L0 060	EM16	red LED 24...60VDC w. prot. Diode (std, A1+, A2-)	5-1415539-3
PTM G0 060	EM25	green LED 24...60VDC w. prot.diode (std, A1+, A2-)	7-1415539-7
PTM L0 110	EM19	red LED 60...110VDC w. prot. Diode (A1+, A2-)	2-1415392-1

**Marking tags**

- White marking area 15.5 x 6mm
- Snaps on socket in up to 4 positions

