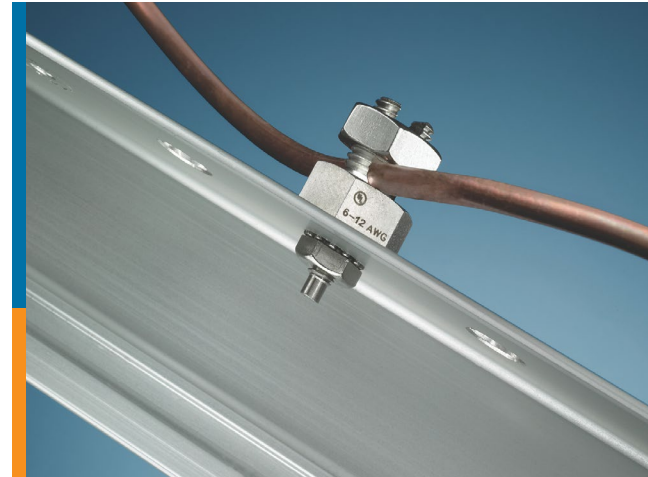


SOLARLOK GROUNDING BOLT INSTALLATION ACCESSORIES

SOLARLOK grounding system enables every installer to ground the PV system in a professional way and creates flexibility at the installation. The system contains various bolt and clip solutions.



Applications

- Solar panels
- Solar inverters
- Micro inverters
- DC optimizers

Electrical

- Short Term Current Test (UL467):

6 AWG = 1530A (6 seconds)
8 AWG = 1180A (4 seconds)
10 AWG = 750A (4 seconds)
12 AWG = 470A (4 seconds)

Mechanical

- Securness Test (UL486A-B):

6 AWG = 18lbs (30 minutes)
8 AWG = 8lbs (30 minutes)
10 AWG = 5lbs (30 minutes)
12 AWG = 5lbs (30 minutes)
- Pull out Test (UL486A-B):

6 AWG = 100lbs (1 minute)
8 AWG = 90lbs (1 minute)
10 AWG = 80lbs (1 minute)
12 AWG = 70lbs (1 minute)

Specifications

- Instruction Sheet: [408-10262](#)
- Product Specifications: [108-2380](#)

Materials

- Connector & Hardware: Stainless Steel (Passivated)

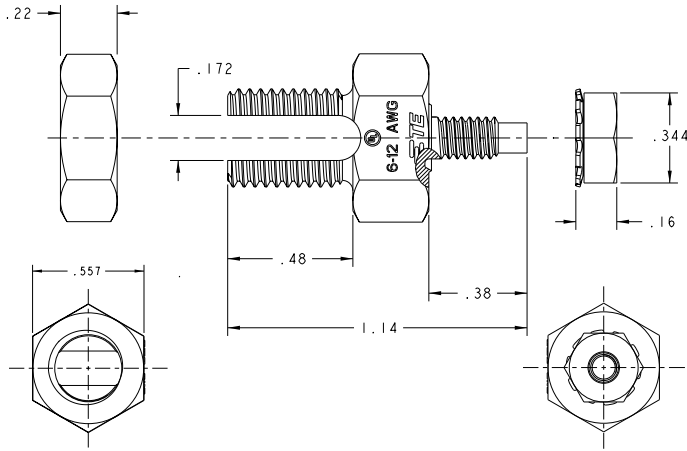
Benefits

- Rugged and compact hex bolt design made from stainless steel
- Quick and easy mounting procedures.
- Bottom edge feature cuts through the anodized aluminum surface when securing the hex bolt to the module frame Standard tooling can be used with the hex nuts

Product Selection Information

Part Number	Description	Thread	Dim "A"	Package Quantity
2058729-1	6-12 AWG	#8-32 UNC	.380	500
2106831-1	LONG SHANK 6-12 AWG	#10-32 UNF	.700	100

Dimensions



te.com

© 2018 TE Connectivity. All Rights Reserved. SOLARLOK, TE, TE Connectivity, and the TE connectivity (logo) are trademarks of the TE Connectivity. Other logos, product and Company names mentioned herein may be trademarks of their respective owners.

While TE has made every reasonable effort to ensure the accuracy of the information in this brochure, TE does not guarantee that it is error-free, nor does TE make any other representation, warranty or guarantee that the information is accurate, correct, reliable or current. TE reserves the right to make any adjustments to the information contained herein at any time without notice. TE expressly disclaims all implied warranties regarding the information contained herein, including, but not limited to, any implied warranties of merchantability or fitness for a particular purpose. The dimensions in this catalog are for reference purposes only and are subject to change without notice. Specifications are subject to change without notice. Consult TE for the latest dimensions and design specifications.

8-1773454-6 JN 11/2018

USA: +1 (800) 522-6752
 Canada: +1 (905) 475-6222
 Mexico: +52 (0) 55-1106-0800
 Latin/S. America: +54 (0) 11-4733-2200
 Germany: +49 (0) 6251-133-1999
 UK: +44 (0) 800-267666
 France: +33 (0) 1-3420-8686
 The Netherlands: +31 (0) 73-6246-999
 China: +86 (0) 400-820-6015