

Introducing
CFP Compliant 40G & 100G Ethernet
Connectors and Components

CFP Compliant 40G & 100G Ethernet Connectors and Components

KEY FEATURES

- 10x solution using Tyco Electronics high speed 148 position connector, supporting 10Gb/s per channel.
- Plug connector straddle mounts to the Optical Transceiver module printed circuit board for conventional processing.
- Receptacle connector is surface mount (SMT) processed to the host board for conventional processing.
- Design supports belly-to-belly port positioning (mounted on both sides of host board) for high density.
- Accepts all CFP MSA compliant optical transceivers.
- Provides EMI shielding at the host connector interface and at the bezel opening via integrated EMI gasketing.

DESCRIPTIONS

The CFP compliant connector is a new ultra high speed pluggable I/O interface supporting 40 and 100 Gb/s ethernet applications. The integrated system provides the mechanical, EMI and thermal performance necessary to meet the demanding requirements of the CFP Multi Source Agreement (MSA) Optical Transceivers and OEM host line cards.

APPLICATIONS

Switches and routers for telecom and data center applications

Optical transport equipment for long haul, metro, and multiservice provisioning platform applications

ELECTRICAL/OPTICAL

Developed to support the demanding electrical requirements of the 40Gb/s and 100Gb/s interfaces

Insertion loss, return loss and cross talk exceed the performance of existing industry 10Gb/s solutions

STANDARDS & SPECS

Meets the requirements of the CFP MSA specification

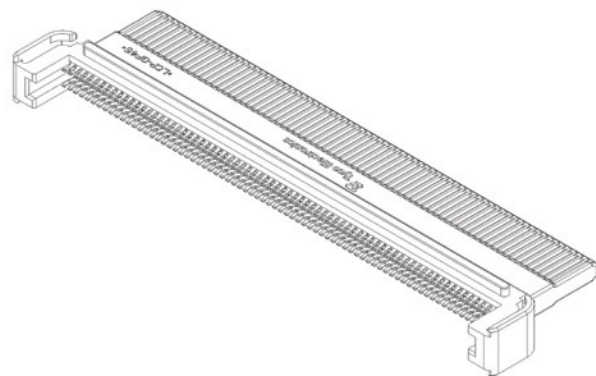
Product specification : **108-2399**

Application specification : **114-13262** (Transceiver connector assembly)

: **114-13263** (Host board assembly)

PRODUCT OFFERING

Part Number	Description
2057629-1	Module Connector Plug

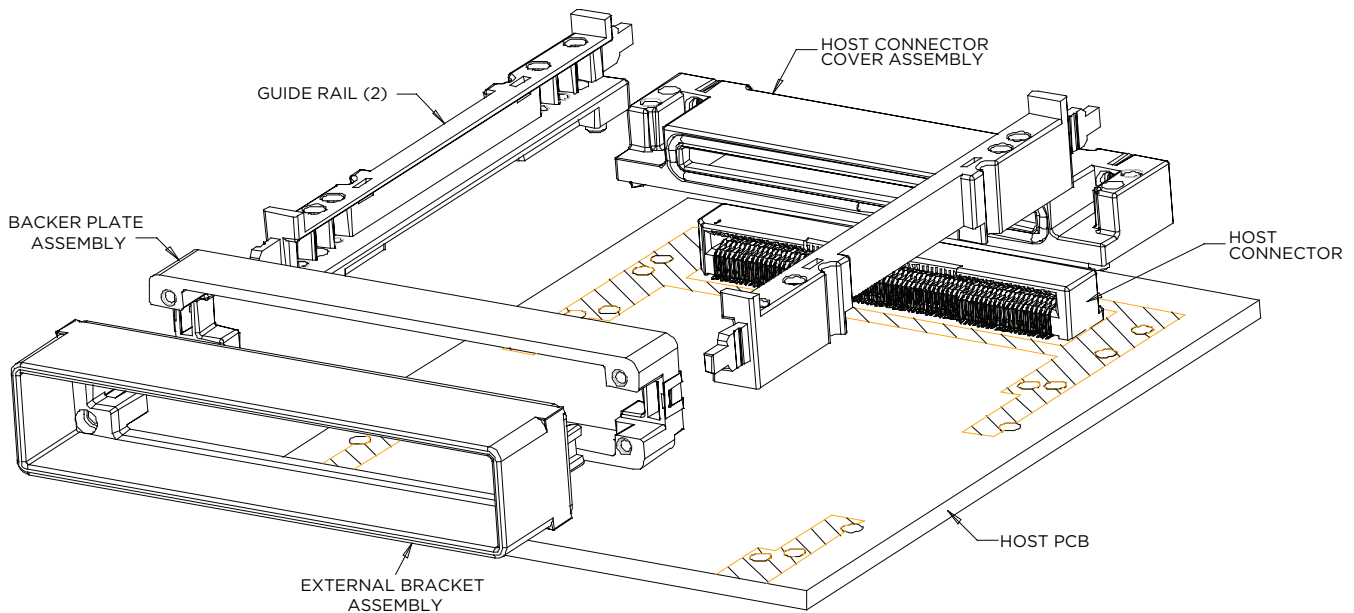


CFP Compliant 40G & 100G Ethernet Connectors and Components

PRODUCT OFFERING (Cont'd)

Part Number	Description
2057630-1	Host Board Receptacle Connector
2057592-2	Guide Rail (two required)
2057631-1	Receptacle Cover
2057626-1	External Bracket Assembly
2057930-1	Backer Plate Assembly
1963856-1	Riding Heat Sink

CFP Compliant Connector Hardware, Scale 2:1 (Shown without panel)



FOR MORE INFORMATION

www.tycoelectronics.com

Technical Support

Internet:	www.tycoelectronics.com/help
USA:	+1 (800) 522-6752
Canada:	+1 (905) 470-4425
Mexico & Central America:	+ 52(0) 55-1106-0814
South America:	+55 (0) 11-2103-6000
Germany:	+49 (0) 6251-133-1999
UK:	+ 44 (0) 8706-080208
France:	+33 (0) 1-3420-8686
Netherlands:	+31 (0) 73-6246-999
China:	+86 (0) 400-820-6015

Tyco Electronics Corporation

Harrisburg, PA

tycoelectronics.com

© 2009 Tyco Electronics Corporation. All Rights Reserved.

2-1773455-2 CIS PDF 9/2009

TE (logo) and Tyco Electronics are trademarks of the Tyco Electronics group of companies and its licensors. Other products, logos, and Company names mentioned herein may be trademarks of their respective owners.

While Tyco Electronics has made every reasonable effort to ensure the accuracy of the information in this catalog, Tyco Electronics does not guarantee that it is error-free, nor does Tyco Electronics make any other representation, warranty or guarantee that the information is accurate, correct, reliable or current. Tyco Electronics reserves the right to make any adjustments to the information contained herein at any time without notice. Tyco Electronics expressly disclaims all implied warranties regarding the information contained herein, including, but not limited to, any implied warranties of merchantability or fitness for a particular purpose. The dimensions in this catalog are for reference purposes only and are subject to change without notice. Specifications are subject to change without notice. Consult Tyco Electronics for the latest dimensions and design specifications.

