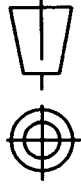
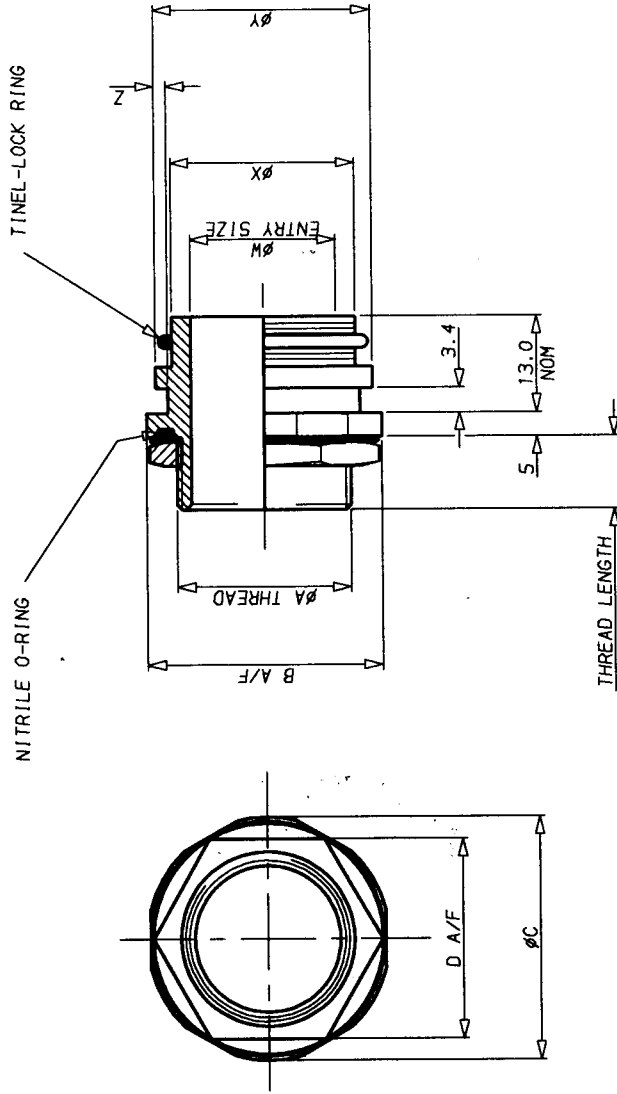


ISSUE	DESCRIPTION	DRAWN	DATE	APPR.
C	NOTE RE INSTALLATION AMENDED.	IRT	JUN 96	KJM



3rd ANGLE PROJECTION

NITRILE O-RING



PART NUMBERING SYSTEM

PRODUCT DESIGNATOR
MATERIAL
SEE CH00-0250-004
FINISH
SEE 5-CH00-0157-002
THREAD LENGTH
20mm STANDARD (+5mm INCREMENTS ON REQUEST)
TINEL RING DESIGNATOR
ENTRY SIZE
BRAID DESIGNATOR
A: SINGLE LAYER 36 AWG.
B: SINGLE LAYER 30 AWG.
DOUBLE LAYER 36 AWG.
RING WITH INSULATING LINING - STANDARD

PART NUMBER	MAX ENTRY SIZE	ØA THREAD	B A/F MAX	ØC MAX	D A/F
TCFT-12-***-TR***I	05	M12 x 1.5-6g	22.0	24.0	17.0
TCFT-16-***-TR***I	08	M16 x 1.5-6g	27.0	29.0	22.0
TCFT-20-***-TR***I	10	M20 x 1.5-6g	32.0	34.0	27.0
TCFT-24-***-TR***I	12	M24 x 1.5-6g	36.0	38.0	30.0
TCFT-30-***-TR***I	16	M30 x 1.5-6g	46.0	47.5	36.0
TCFT-36-***-TR***I	20	M36 x 1.5-6g	50.0	52.0	41.0
TCFT-48-***-TR***I	28	M48 x 1.5-6g	65.0	67.0	55.0

TINEL ENTRY SIZE	ØW	ØX	ØY	Z
04	6.35	9.40/9.55	14.00	1.15
05	7.92	10.95/11.15	15.50	1.15
06	9.53	12.55/12.75	17.25	1.15
07	11.10	14.10/14.35	18.75	1.15
08	12.70	15.70/15.95	20.25	1.15
10	15.88	18.80/19.15	23.50	1.15
12	19.05	22.00/22.30	26.75	1.75

TINEL ENTRY SIZE	ØW	ØX	ØY	Z
14	22.23	25.15/25.50	30.00	1.75
16	25.40	28.30/28.65	33.00	1.75
18	28.58	31.50/31.85	36.25	1.75
20	31.75	34.65/35.00	39.50	1.75
22	34.93	37.75/38.15	42.50	2.15
24	38.10	40.95/41.35	45.75	2.15
28	44.45	47.30/47.75	52.00	2.15

NOTE!
1. SEE S.C.D. TR FOR DETAIL ON TINEL-LOCK RING. RINGS ARE DESIGNED TO BE HEATED ELECTRICALLY.
ALL RINGS ARE MARKED WITH THERMOCHROMIC PAINT WHICH CHANGES COLOUR WHEN INSTALLATION TEMPERATURE IS REACHED.

SPECIFICATION CONTROL DRAWING		DO NOT SCALE THIS DRAWING		Raychem	
DRAWN	IRT	DATE	AUG 93	FARADAY RD. DORCAN, SWINDON. SN3 5JB	
CHECKED	KJW	DATE	AUG 93	TITLE	
APPROVED	KJW	DATE	AUG 93	TINEL FEEDTHROUGH	
PROJECT	85032			PART NO.	TCFT-**-***-TR***I
CODE IDENT. NO.	06090			ISSUE	A
				C	3

ELECTRONICS OEM CONTROL STAMP. IF THIS STAMP IS RED, THIS IS A CONTROLLED DOCUMENT. IF BLACK, IT IS AN UNCONTROLLED COPY. CHECK FOR REVISION.