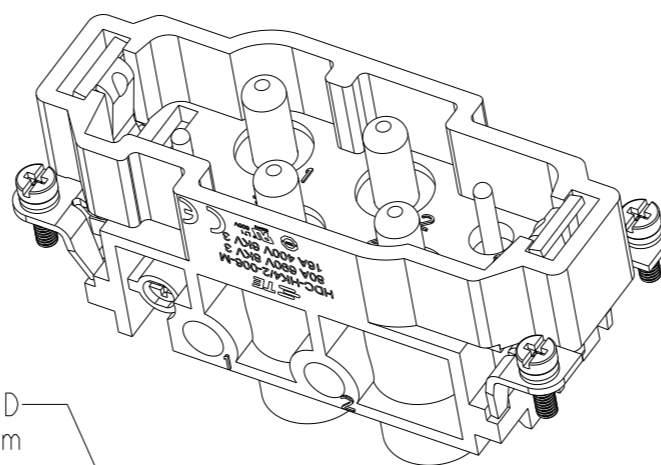
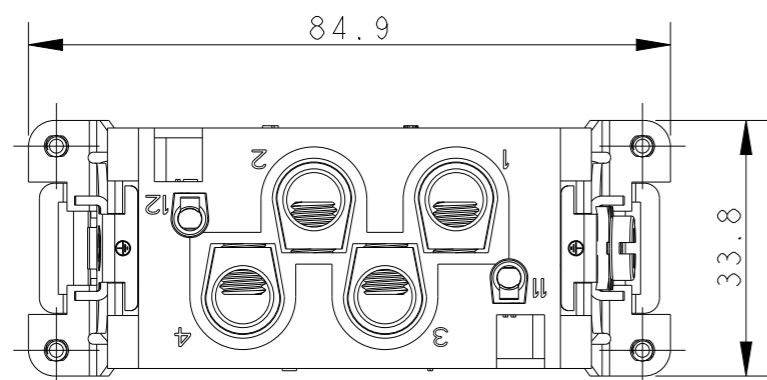


REVISIONS

P	LTR	DESCRIPTION	DATE	DWN	APVD
A		INITIAL RELEASE	14APR2015	DL	CW
B		ECR-15-018481	19FEB2016	DL	CW
C		ECR-21-111798	08SEP2021	WQR	CW

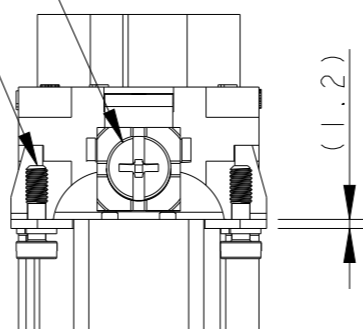
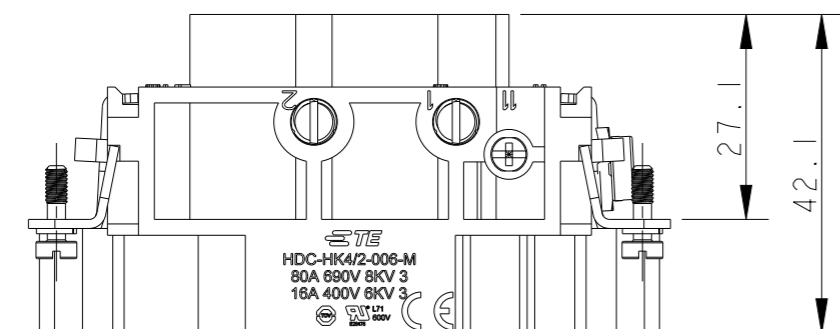


M5 THREAD
RECOMMENDED TIGHTENING TORQUE 2.0Nm

4 X M3 THREAD
RECOMMENDED TIGHTENING TORQUE 0.5Nm

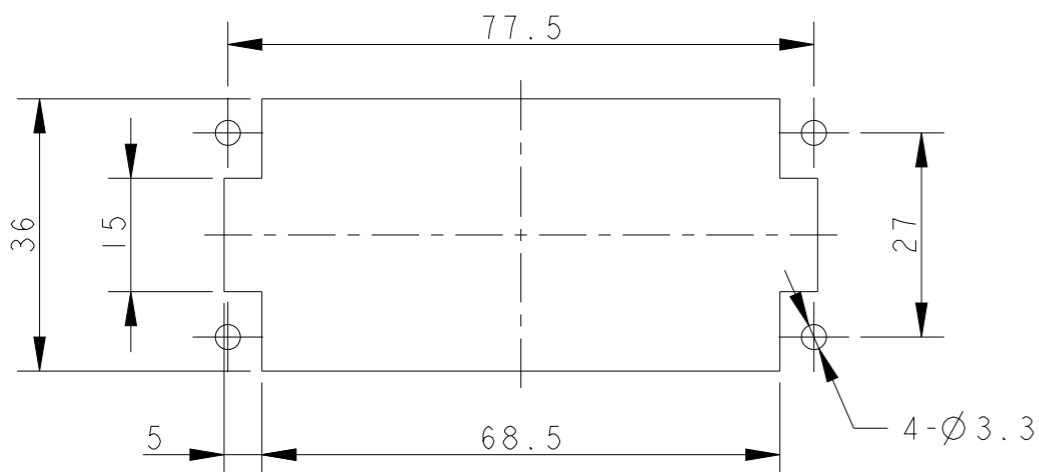
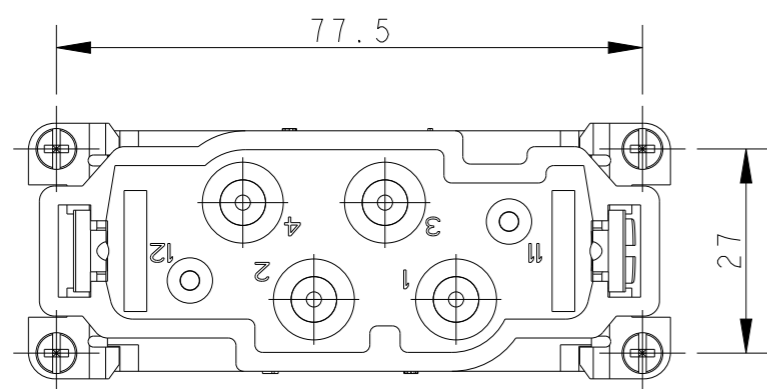
NOTES:

1. TECHNICAL CHARACTERISTICS:
 INSULATION MATERIAL: PC
 RATED VOLTAGE: POWER: 690 V; SIGNAL: 400 V
 RATED CURRENT: POWER: 80 A; SIGNAL: 16 A
 INSULATION RESISTANCE: $\geq 400M\Omega$
 RATED IMPULSE VOLTAGE: POWER: 8 KV; SIGNAL: 6 KV
 POLLUTION DEGREE: 3
 FLAMMABILITY: UL94V-0
 MATING CYCLES: 500
 OPERATION TEMPERATURE: $-40-+125^{\circ}C$
 WIRE RANGE: POWER: 1.5-16 mm² (16-5 AWG)
 SIGNAL: 0.5-2.5 mm² (20-14 AWG)
 CONTACT FINISH: SILVER PLATED
 CONTACT TYPE: SCREW CONTACT



注释:

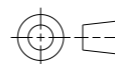
1. 技术参数:
 绝缘材料: PC
 额定电压: 电源: 690V; 信号: 400V
 额定电流: 电源: 80A; 信号: 16A
 绝缘电阻: $\geq 400M\Omega$
 额定脉冲电压: 电源: 8 KV; 信号: 6 KV
 污染等级: 3
 阻燃等级: UL94V-0
 插拔次数: 500次
 工作温度: $-40-+125^{\circ}C$
 接线范围: 电源: 1.5-16 mm² (16-5 AWG)
 信号: 0.5-2.5 mm² (20-14 AWG)
 端子表面处理: 镀银
 接线类型: 螺丝压接



PANEL CUT OUT FOR INSERTS FOR USING WITHOUT HOODS/HOUSINGS

THIS DRAWING IS A CONTROLLED DOCUMENT.

DIMENSIONS:
mm



TOLERANCES UNLESS OTHERWISE SPECIFIED:

0 PLC	±0.1
1 PLC	±0.1
2 PLC	±0.1
3 PLC	±0.1
4 PLC	±0.1
ANGLES	±0.5
FINISH	-

MATERIAL

-

DWN 14APR2015

DAVID LI

CHK 14APR2015

CHRIS WANG

APVD 14APR2015

XU XIANG

PRODUCT SPEC

108-137128

APPLICATION SPEC

114-137128

WEIGHT

-

NAME

HK4/2-006-M

SIZE

A3

CAGE CODE

-

DRAWING NO

©-T2100062101000

RESTRICTED TO

-

CUSTOMER DRAWING

SCALE

1:1

SHEET

1 OF 1

REV

C

T2100062101-000

HK4/2-006-M
HK4/2-006 公插

PART NUMBER
料号

PART DESCRIPTION
描述



TE Connectivity