

THIS DRAWING AND THE INFORMATION SET FORTH HERE-ON ARE THE PROPERTY OF TYCO ELECTRONICS CORPORATION, AND ARE TO BE HELD IN TRUST AND CONFIDENCE. PUBLICATION, DUPLICATION, DISCLOSURE, OR USE FOR ANY PURPOSE NOT EXPRESSLY AUTHORIZED IN WRITING BY TYCO ELECTRONICS CORPORATION IS PROHIBITED.

REVISIONS			
LTR	DESCRIPTION	DATE	APPROVED
A	PER ECO-10-014975	JULY/20/2010	M.HIGGY

NOTES:


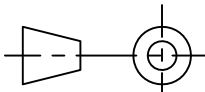
- THIS DRAWING IS FOR THE PURPOSE OF PACKAGING THE KIT COMPONENTS IN A SEALED PLASTIC BAG.
- THE COMPONENTS LISTED HEREON ARE IDENTIFIED WITH THEIR INDIVIDUAL PART NUMBER.
- REFER TO THE INDIVIDUAL COMPONENT DRAWING FOR CONFIGURATION DETAILS.
- THE KIT PACKAGE IS IDENTIFIED WITH THE KIT NUMBER.
- THIS KIT CONSISTS OF:

ITEM	COMPONENT DRAWING NUMBER	DESCRIPTION	QTY
1	MTC100-JH2-R22	2 INCH HOUSING, RECEPTACLE	1
2	MTC100-YA1-018	1 INCH PIN WAFER, A1 STYLE	1
3	MTC100-YA1-019	1 INCH PIN WAFER, A2 STYLE	1
4	MTC100-YB1-018	1 INCH PIN WAFER, B1 STYLE	1
5	MTC100-YB1-019	1 INCH PIN WAFER, B2 STYLE	1

If this document is printed it becomes uncontrolled. Check for the latest revision

©2010 Tyco Electronics Corporation. All rights reserved.

CUSTOMER DRAWING

UNLESS OTHERWISE SPECIFIED DIMENSIONS ARE IN INCHES. METRIC DIMENSIONS ARE IN BRACKETS. DECIMALS .XXX ± [— mm] .XX ± [— mm] ANGLES .X — ± — WEIGHT:	DRAWN	ZS.O.	Jun/28/2010	 Tyco Electronics	Raychem Interconnect 300 Constitution Drive Menlo Park, CA 94025 U.S.A		
	CHECKED				TITLE		
	APPROVED				KIT, 2 INCH RECEPTACLE SHELL, 4-WAY PIN INSERT P.A.S.S. 125 CELSIUS DEGREE OPERATING TEMPERATURE MTC100 SERIES		
	APPROVED	M.HIGGY	Jun/28/2010	CAD NAME	MTC100-KT2-0153		
THIRD ANGLE PROJECTION			SIZE	CAGE CODE:	DWG. NO.	REV	
			A	06090	MTC100-KT2-0153	A	
				SCALE: NONE		SHEET 1 OF 1	