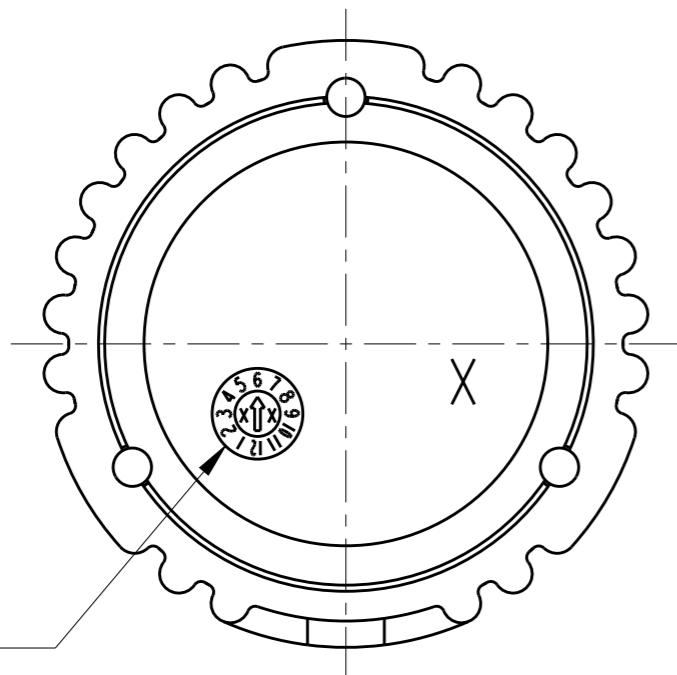
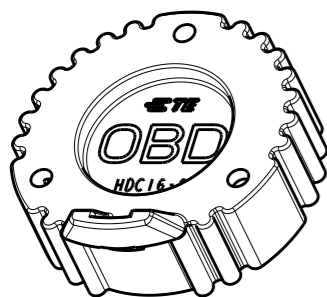
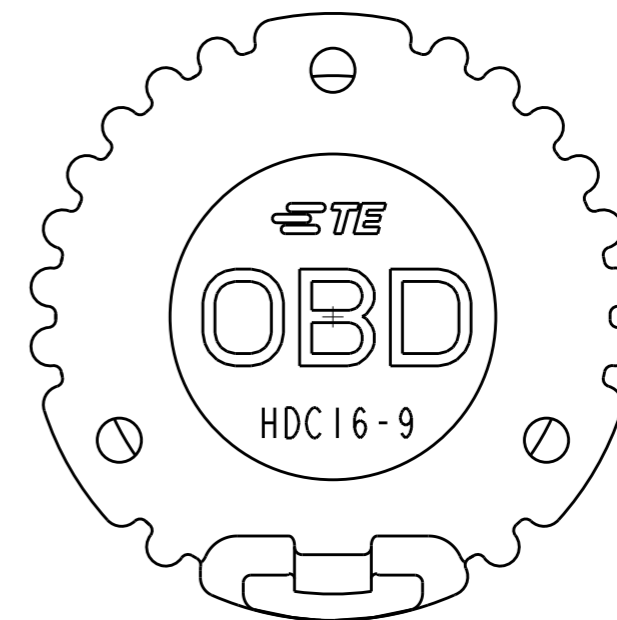
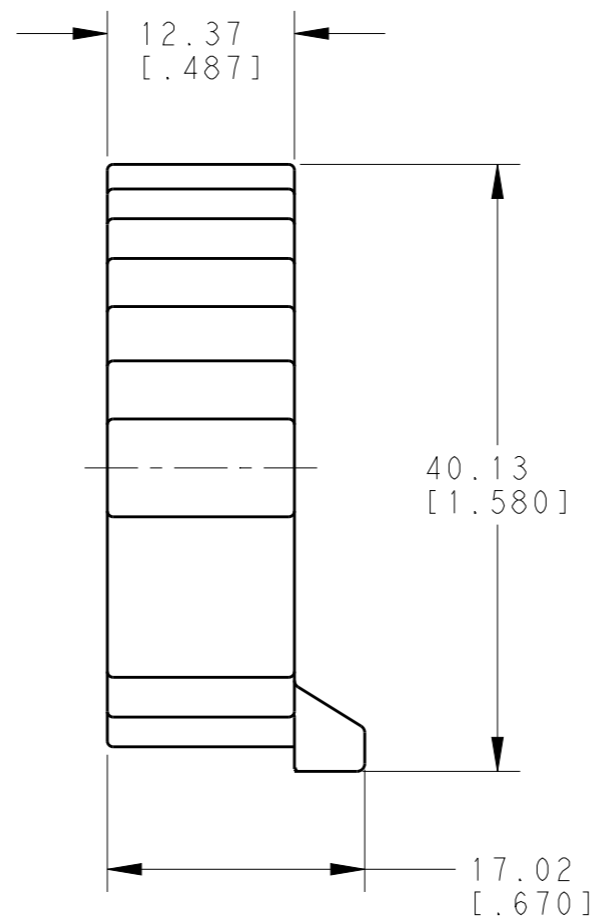


THIS DRAWING IS UNPUBLISHED
 RELEASED FOR PUBLICATION 2016
 © COPYRIGHT 2013 BY TE CONNECTIVITY ALL RIGHTS RESERVED.

LOC	DIST	REVISIONS			
P	LTR	DESCRIPTION	DATE	DWN	APVD
	A	NEW RELEASE PER ECO-13-010375	23MAY2013	IG	DM
	B	REVISED PER ECO-16-001565	03FEB2016	JA	DM
	B1	REVISED PER ECO-16-004241	18MAR2016	JA	DM



DATE CODE





TE INTERNAL PN	DEUTSCH PN	COLOR
YHDC16-9-OBDO00000	HDC16-9-OBDO	GREY
YHDC16-9-OBDE0040	HDC16-9-OBDE004	BLACK
2301692-1	HDC16-9-OBDO-P080	GREEN

2 MATERIAL: HOUSING: PA 15% GF (SEE COLOR TABLE);
 O-RING: SILICONE (RED)

1. THIS PART MATES WITH ALL SIZE 9,
 HD10 SERIES RECEPTACLES.

NOTES:

THIS DRAWING IS A CONTROLLED DOCUMENT.		DWN I. GRANTCHAROVA 23MAY2013	 TE Connectivity	
DIMENSIONS: mm [INCHES]		CHK I. GRANTCHAROVA 04SEP2013		
TOLERANCES UNLESS OTHERWISE SPECIFIED:		APVD D. MEYER 04SEP2013	NAME PROTECTIVE COVER, RECEPTACLE SIZE 9 HD10 SERIES	
0 PLC ± 1 PLC ± 2 PLC ±0.63 [.025] 3 PLC ± 4 PLC ± ANGLES ±0°30'0"		PRODUCT SPEC	RESTRICTED TO	
MATERIAL		APPLICATION SPEC	SIZE A3	CAGE CODE 4AFU8
FINISH		WEIGHT 9.512g	DRAWING NO HDC16-9-OBDO-XXXX	
		CUSTOMER DRAWING	SCALE 2:1	SHEET 1 OF 1
			REV B1	