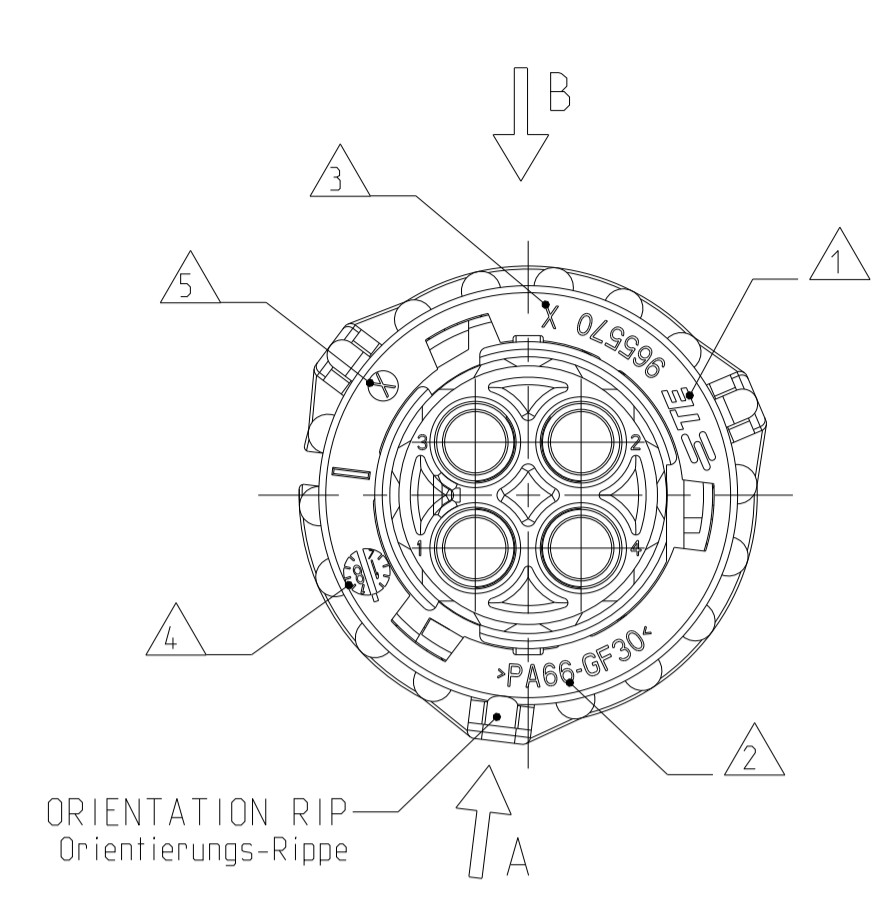
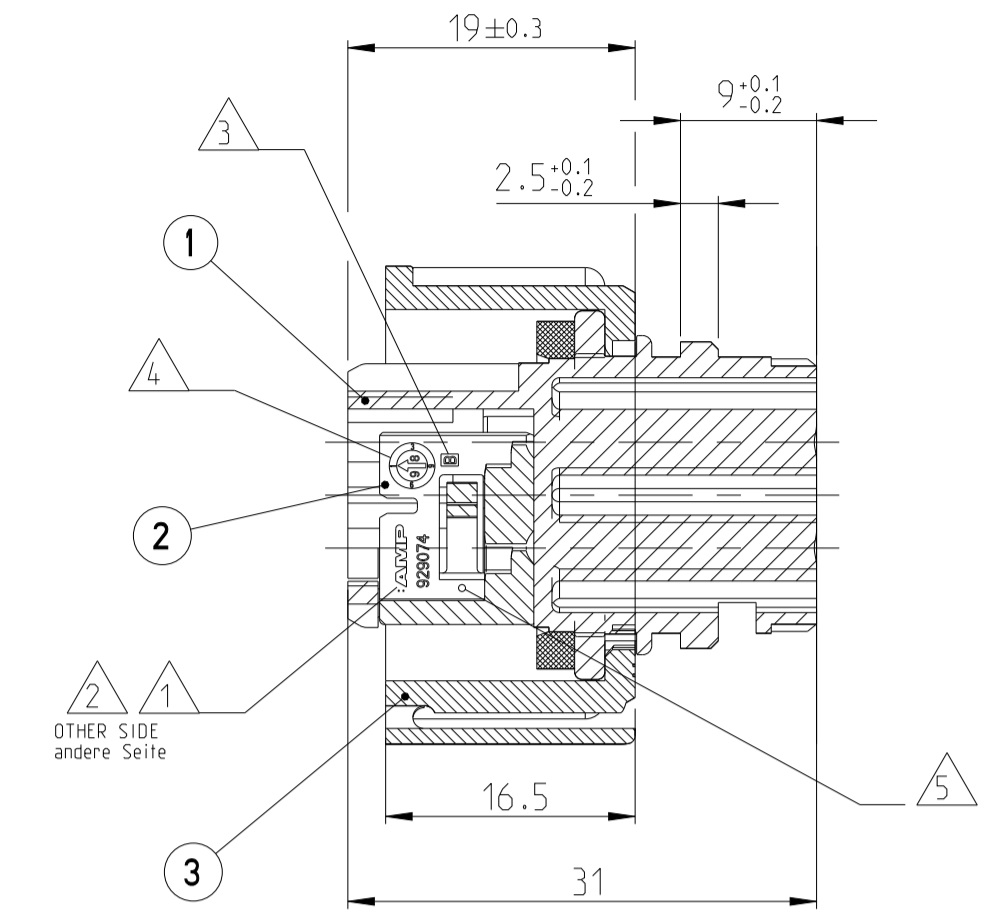


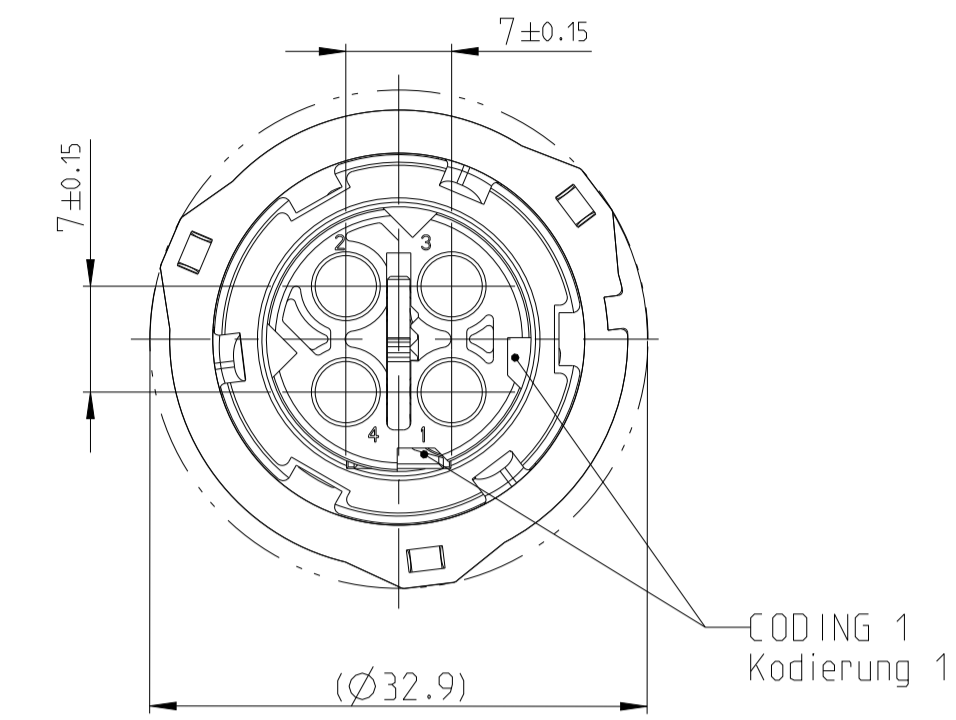
LOC	DIST	REV	LTN	REVISIONS ÄNDERUNGEN	DESCRIPTION BESCHREIBUNG	DATE	DWN	APVD
A1	-	B3	-	REVISED PER ECO-11-005027		23MAR2011	RK	HMR
		C	-	REVISED PER ECO-13-005564		18APR2013	RD	JG
		D	-	REVISED PER PCN-22-143834		13JUN2022	HH	AW



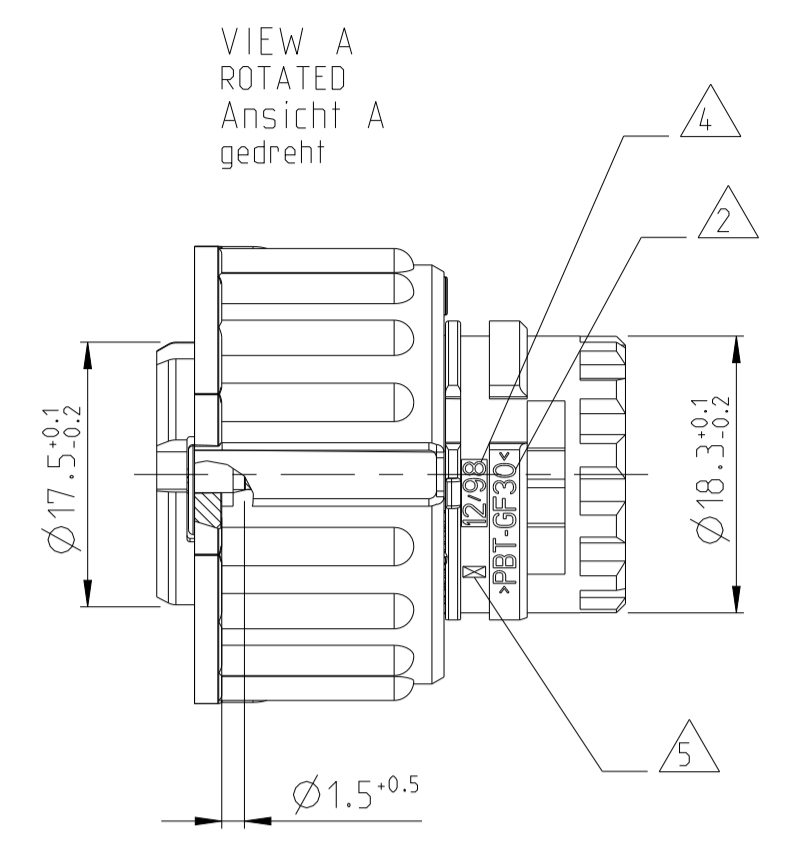
COUPLING RING IN PRE-LOCKED POSITION  
 (FITTING POSITION WITH PIN HOUSING)  
 Kupplungsring in Vorraststellung  
 (Fuegeposition mit Stiftgehäuse)



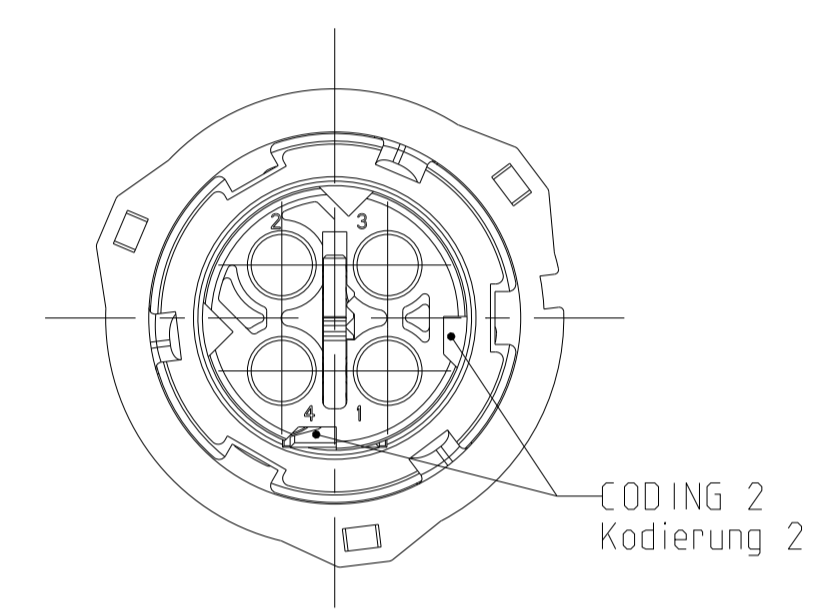
SECOND LOCKING DEVICE  
 IN PRE-LOCKED POSITION  
 Zweite Kontaktsicherung  
 in Vorraststellung



CLOSED CAVITIES OF THE  
 2POS./3POS. SOCKET HOUSING  
 Geschlossene Kammern des  
 2pol./3pol. Buchsengehäuses

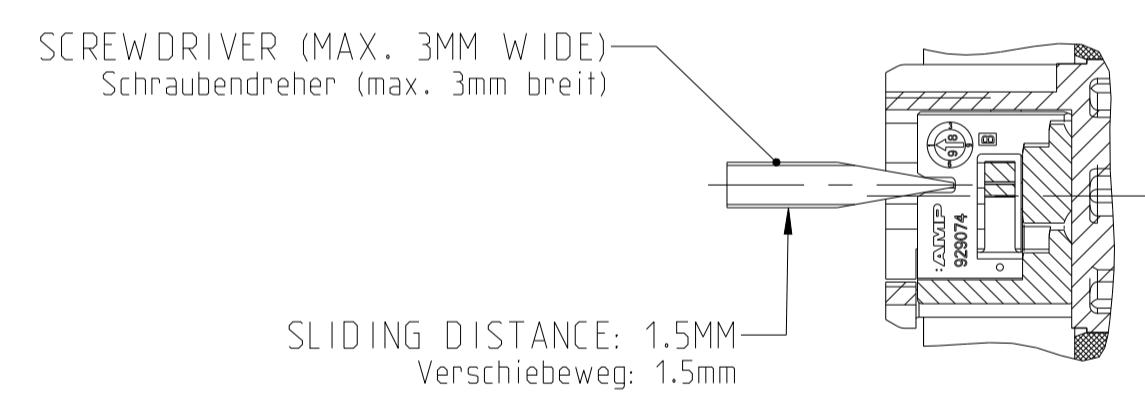


VIEW A  
 ROTATED  
 Ansicht A  
 gedreht



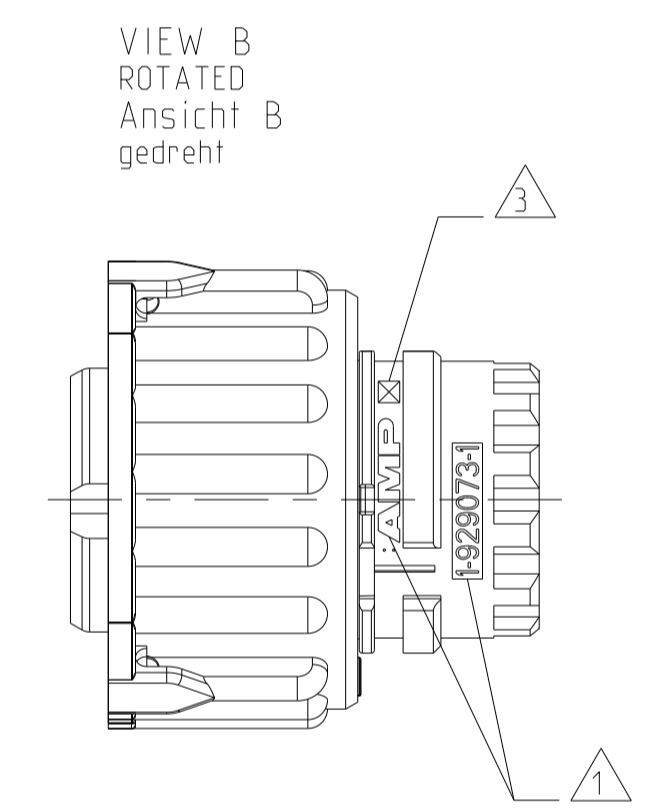
CODING 2  
 Kodierung 2

SECOND LOCKING DEVICE  
 IN LOCKED POSITION  
 Zweite Kontaktsicherung  
 in Endraststellung



SCREWDRIVER (MAX. 3MM WIDE)  
 Schraubendreher (max. 3mm breit)

SLIDING DISTANCE: 1.5MM  
 Verschiebeweg: 1.5mm



VIEW B  
 ROTATED  
 Ansicht B  
 gedreht

CODING / Kodierung																
ACC. TO / nach DIN 72585 / ISO 15170																
4 BLUE blau	3 GREEN gruen	2 GREY grau	1 BLACK schwarz													
-	-	-	-	2-968968-3	0	1-968968-3	0	2	1,2 (2POS.)	3	1	PA66-GF30	BLACK schwarz	COUPLING RING Kupplungsring	10-1	
											3	1	PBT-GF30	BLACK schwarz	COUPLING RING Kupplungsring	10-2
											2	1	PA6/6T-GF25	YELLOW gelb	SECOND LOCKING DEVICE Zweite Kontaktsicherung	
											1	1	PBT-GF30/ SILICONE	9	2POS. SOCKET HSG. W. SEALING 2pol. Buchsengeh. m. Dichtung	9
-	-	-	-	-	-	1-968968-2	0	3	1-3 (3POS.)	3	1	PA66-GF30	BLACK schwarz	COUPLING RING Kupplungsring	10-1	
											3	1	PBT-GF30	BLACK schwarz	COUPLING RING Kupplungsring	10-2
											2	1	PA6/6T-GF25	YELLOW gelb	SECOND LOCKING DEVICE Zweite Kontaktsicherung	
											1	1	PBT-GF30/ SILICONE	9	3POS. SOCKET HSG. W. SEALING 3pol. Buchsengeh. m. Dichtung	9
-	-	-	-	-	-	1-968968-1	0	4	1-4 (4POS.)	3	1	PA66-GF30	BLACK schwarz	COUPLING RING Kupplungsring	10-1	
											3	1	PBT-GF30	BLACK schwarz	COUPLING RING Kupplungsring	10-2
											2	1	PA6/6T-GF25	YELLOW gelb	SECOND LOCKING DEVICE Zweite Kontaktsicherung	
											1	1	PBT-GF30/ SILICONE	9	4POS. SOCKET HSG. W. SEALING 4pol. Buchsengeh. m. Dichtung	9

THIS DRAWING IS A CONTROLLED DOCUMENT.  
 DIESE ZEICHNUNG IST EIN KONTROLLIERTES DOKUMENT.

DIMENSIONS: MASSENHEITEN: mm

TOLERANCES UNLESS OTHERWISE SPECIFIED: ALLER TOLERANZEN (ZU ISO 808)

FINISH SURFACE: FINISCHBEREICH: FARBE SEE TABLE

WEIGHT: 11.42g

CUSTOMER DRAWING

DATE: 16AUG1997

CHK: J. Gredow

APVD: J. Hass

NAME: 2.5MM SOCKET CONNECTOR, 2-4POS. WITH SECONDARY LOCKING

PRODUCT SPEC: 108-18621

APPLICATION SPEC: 114-18255

SCALE: 2:1

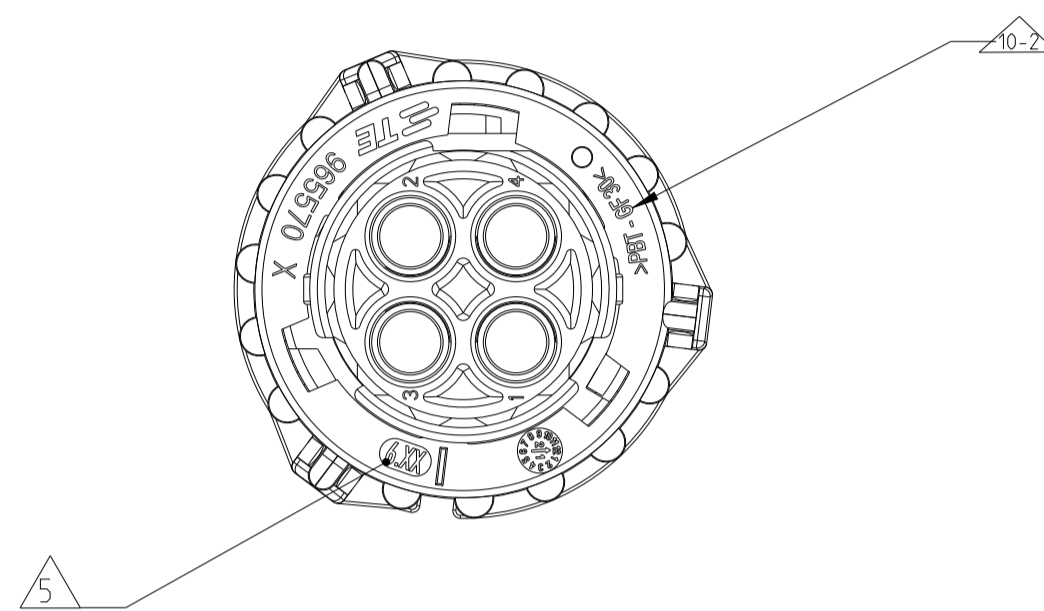
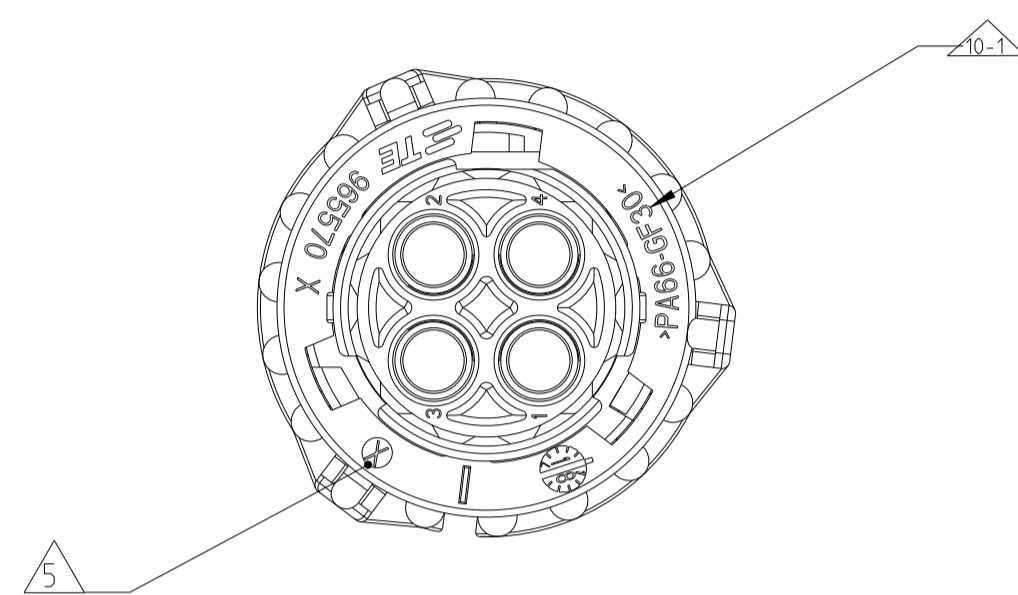
SHEET: 1 OF 2

REV: D

LOC		DIST		REVISIONS			
P	LTN	DESCRIPTION	DATE	DWN	APVD		
		SEE SHEET 1					

⬡ ASSEMBLY USING PA66 COUPLING RING

⬡ ASSEMBLY USING PBT COUPLING RING



NOTES:

Bemerkungen:

- 1 TE LOGO AND TE CONNECTIVITY NUMBER OF SINGLE PART  
TE-Logo und TE CONNECTIVITY-Nummer des Einzelteils
- 2 MATERIAL MARKING  
Werkstoffkennzeichnung
- 3 REVISION OF THE MOLD  
Werkzeugaenderungsindex
- 4 PRODUCTION DATE  
Produktionsdatum
- 5 CAVITY MARKING  
Nestmarkierung
- 6 FITS TO CONNECTORS ACC. TO  
DIN 72585/ISO 15170 FORM A AND B AND  
PIN HOUSING 2-4POS. TE CONNECTIVITY-NO. 967402  
Passend zu Steckverbindern nach  
DIN 72585/ISO 15170 FORM A und B und  
Stiftgehäuse 2-4pol. TE-Nr. 967402
- 7 FOR SUITABLE CONTACTS SEE DRAWING:  
Zu verwendende Kontakte siehe Tabellenzeichnung:  
  
TE CONNECTIVITY-NR.: 1355065  
  
MAX. WIRE THICKNESS: 2.5mm<sup>2</sup>  
max. Drahtgroesse: 2.5mm<sup>2</sup>
- 8 BULK PACKAGING IN CARDBOARD BOX  
Schuetzgut im Karton
- 9 COLOUR OF SOCKET HOUSING ACC. TO CODING.  
COLOUR OF SEALING ORANGE.  
Farbe des Buchsengehäuses gemäss der Kodierung.  
Farbe der Dichtung orange.
- 10 DIFFERENT COUPLING RING COMPONENT USED ACCORDING TO ASSEMBLY REGION:

	REGION	COUPLING RING MATERIAL	CAVITY MARKING
⬡-1	SOUTH AMERICA - BRAZIL	PA66-GF30	X
⬡-2	EMEA	PBT-GF30	6.XX

THIS DRAWING IS A CONTROLLED DOCUMENT.		DWN																
		CHK																
DIMENSIONS:		APVD	NAME															
TOLERANCES UNLESS OTHERWISE SPECIFIED:		PRODUCT SPEC																
<table border="0"> <tr><td>0 PLC</td><td>±</td></tr> <tr><td>1 PLC</td><td>±</td></tr> <tr><td>2 PLC</td><td>±</td></tr> <tr><td>3 PLC</td><td>±</td></tr> <tr><td>4 PLC</td><td>±</td></tr> <tr><td>ANGLES</td><td>±</td></tr> <tr><td>FINISH</td><td>±</td></tr> </table>		0 PLC	±	1 PLC	±	2 PLC	±	3 PLC	±	4 PLC	±	ANGLES	±	FINISH	±	APPLICATION SPEC		
0 PLC	±																	
1 PLC	±																	
2 PLC	±																	
3 PLC	±																	
4 PLC	±																	
ANGLES	±																	
FINISH	±																	
MATERIAL		WEIGHT	SIZE	CAGE CODE														
			A 1	☉														
		SCALE	SHEET	OF														
				REV														