

P	LTR	DESCRIPTION	DATE	DWN	APVD
	C5	REVISED PER ECR-23-166943	03MAR2023	BB	DSC



PART NO. BESTELL-NR.	SIZE		RECOMMENDED STRIP LENGTH ABISOLIER-LÄNGE	MINIMUM PULL-OUT STRENGTH SLEEVE STRAND CONDUCTOR MINDEST-AUSZUGSKARFT HULSE LITZENLEITER /N	COLOUR FARBE	d_1	d_2	L_1	L_2	s_1	s_2	COLOUR TYPE FARBREIHE	PACKAGE QTY VERPACKUNGSEINHEIT PARTS/STÜCK REEL/SPULE
	mm ²	AWG	/mm		$\triangle 4$	/mm	/mm	/mm	/mm	/mm	/mm		$\triangle 7$
966 902-2	1.00	18	10.5+0.2	35	RED ROT	1.4 +0.14	3.0 ±0.2	14 ±1.5	8 ±0.4	0.15 ±0.05	0.30±0.10	DIN/1	7500

$\triangle 1$ THE AWG CROSS-SECTION CAN DIFFER SLIGHTLY FROM THE DIN-STANDARD CROSS-SECTION VALUES

2 NOTE DELETED

$\triangle 3$ MAX. INSULATION-DIA. OF WIRE: d_2 MIN.- 0.1

$\triangle 4$ COLOUR TYPE 1: COLOUR PER FRENCH STANDARD
DIN COLOUR TYPE: COLOUR PER DIN 46228 PART 4

5 NOTE DELETED

$\triangle 6$ 0.6MM ALLOWABLE MOLDING FLASH PRESENT IN THIS ZONE

$\triangle 7$ STRIP FORM ON CARDBOARD REEL, DIA. ABOUT 450 mm

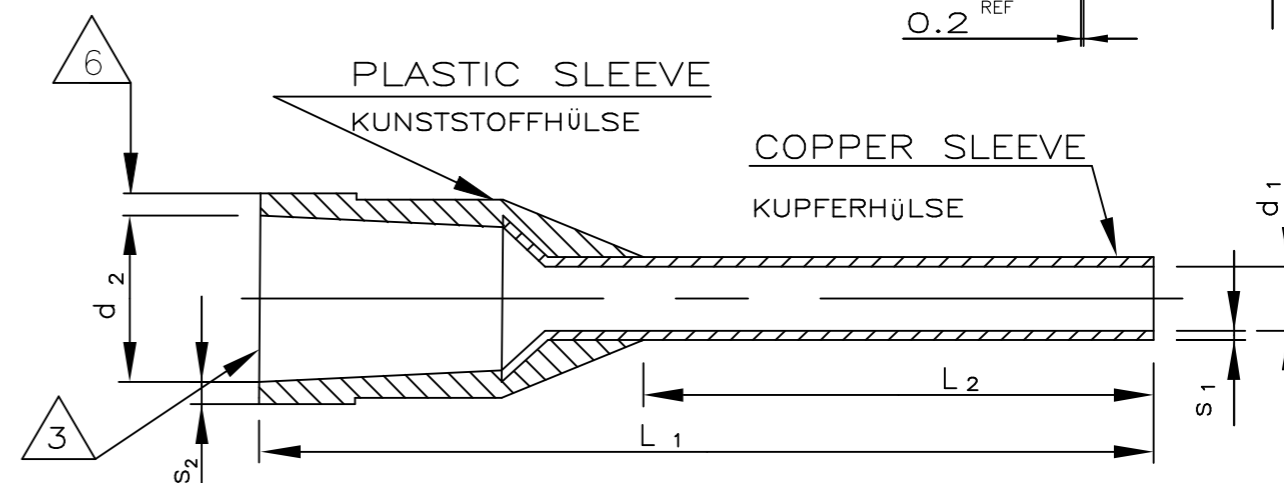
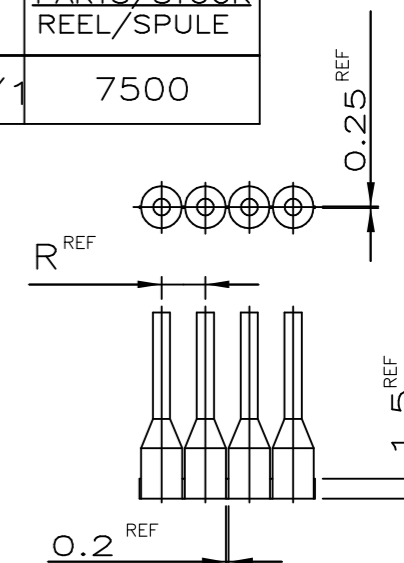
$\triangle 8$ MATERIAL:
METAL SLEEVE - COPPER
PLASTIC SLEEVE - POLYPROPYLENE

$\triangle 9$ FINISH:
METAL SLEEVE - TIN PLATE 3µm MIN THICKNESS
PLATE SLEEVE COLOR - SEE TABLE

10 MAXIMUM RECOMMENDED TEMPERATURE 105°C

$\triangle 11$ PARTS PER DIN 46228 PART 4 EXCEPT FOR S2 DIMENSION WHICH INCLUDES PLASTIC CARRIER STRIP CUTOFF BURR

NOMINAL SIZE NENNGRÖÖE /mm ²	R /mm
0.5 - 0.75	3.6
1 - 1.5	4.2
2.5	5.0



THIS DRAWING IS A CONTROLLED DOCUMENT.		DWN E. WERNER 29-APR-96	STE TE Connectivity	
		CHK R.SCHMIDT 29-APR-96		
		APVD G.FELDMEIER 12-SEP-00	NAME	
DIMENSIONS: mm		TOLERANCES UNLESS OTHERWISE SPECIFIED:		WIRE FERRULE WITH PLASTIC SLEEVE, SINGLE CONDUCTOR, DIN 46228 PART 4, STRIP & REEL FORM DIN & FRENCH COLOR CODING
		0 PLC ± -	SIZE	
		1 PLC ± -	CAGE CODE	
		2 PLC ± -	DRAWING NO	
		3 PLC ± -	RESTRICTED TO	
		4 PLC ± -	A3 00779 C-966902	
		ANGLES ± -	SCALE	
MATERIAL $\triangle 8$		FINISH $\triangle 9$	SHEET 1 OF 1	
			REV C5	
			CUSTOMER DRAWING	