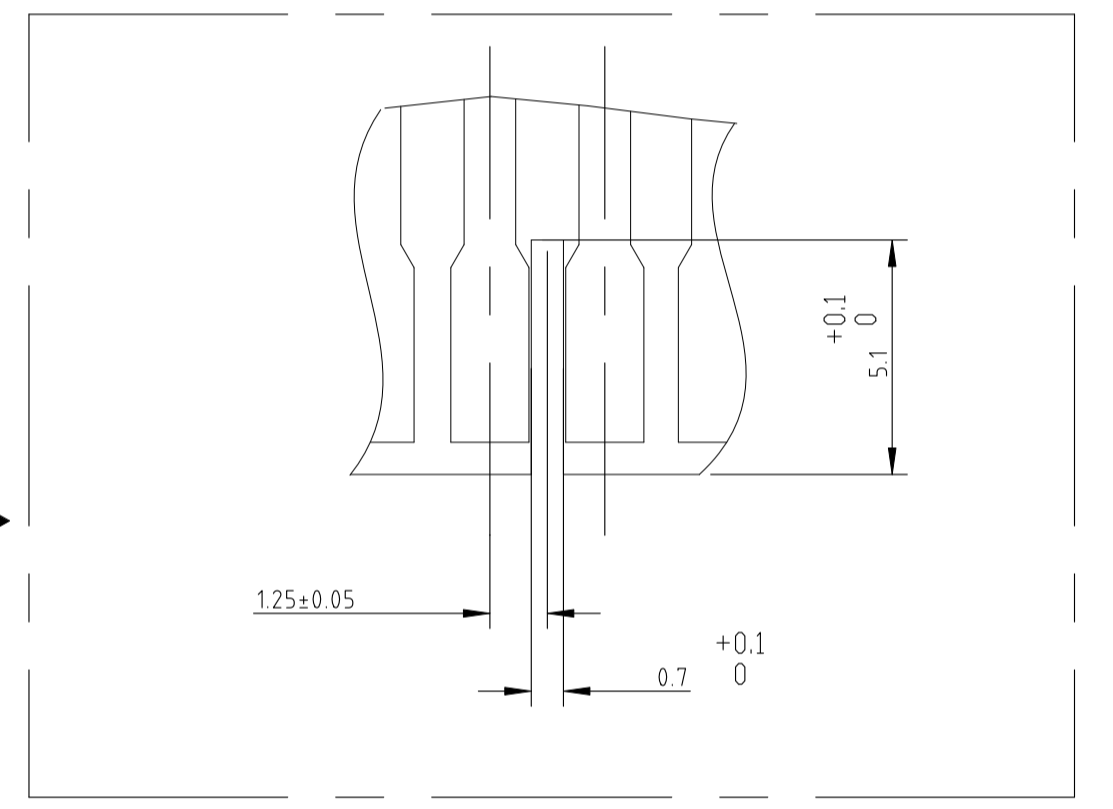
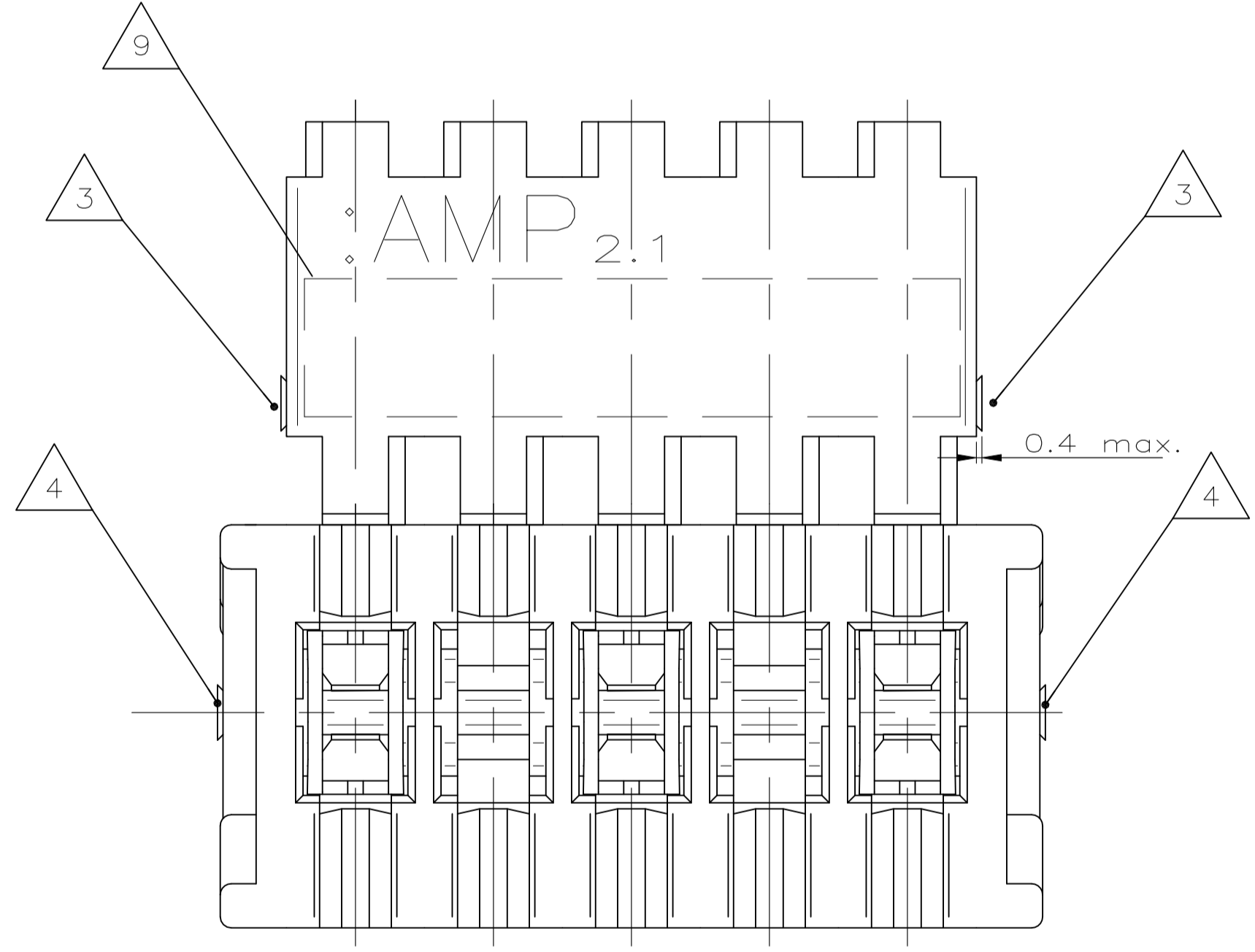
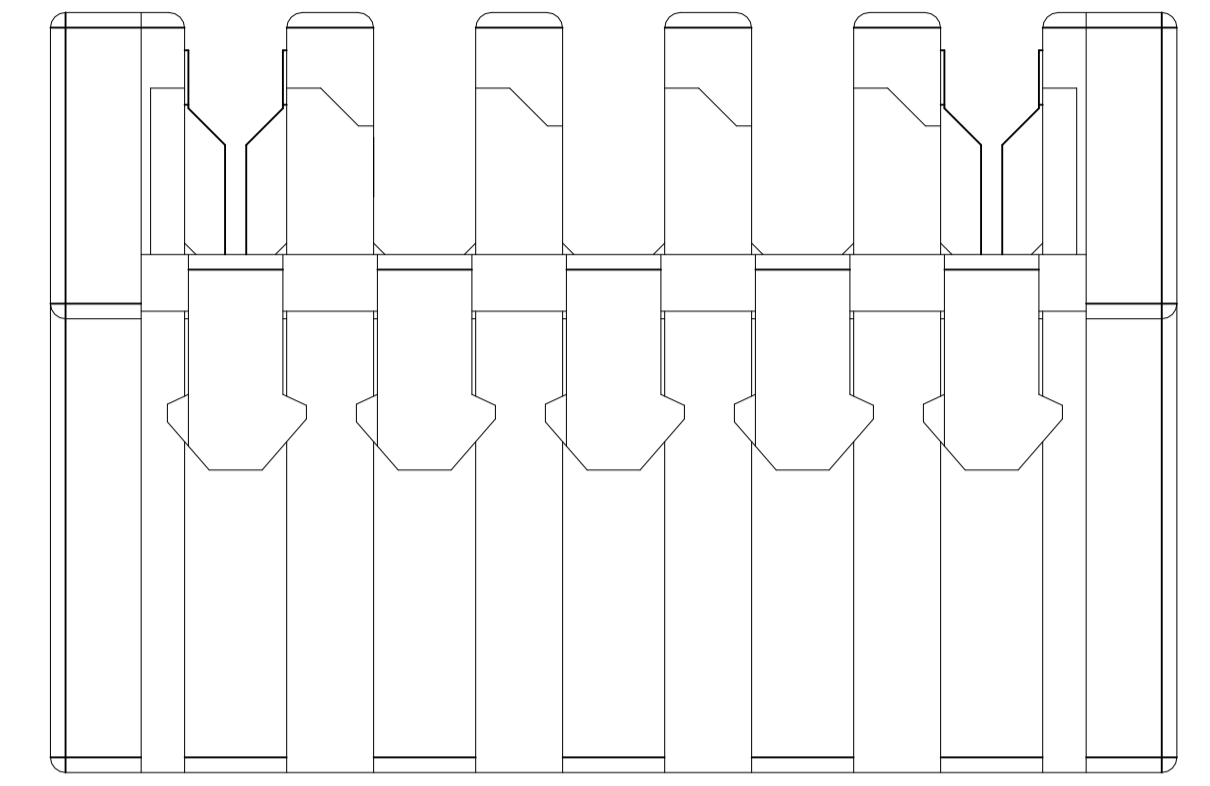
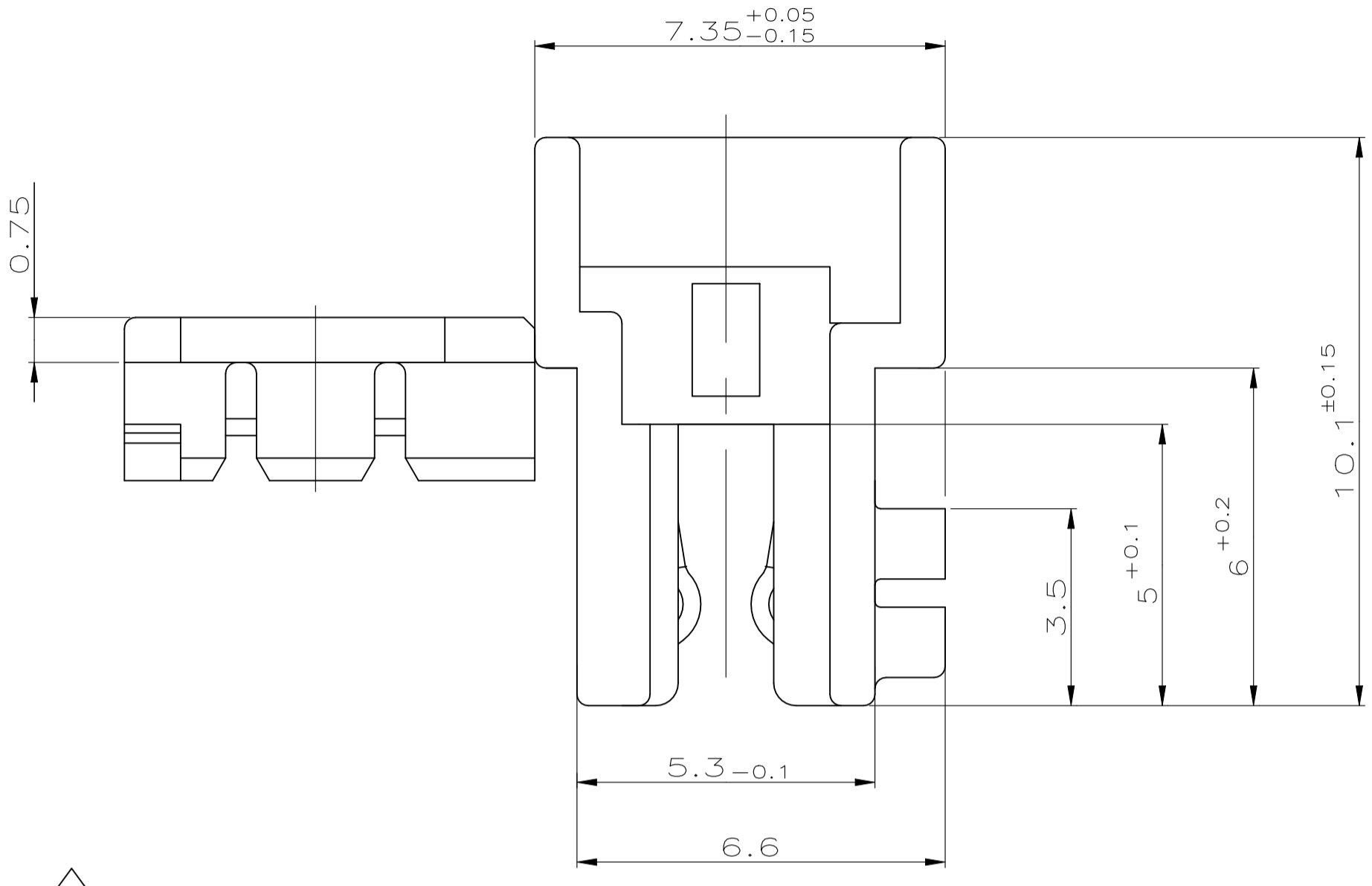
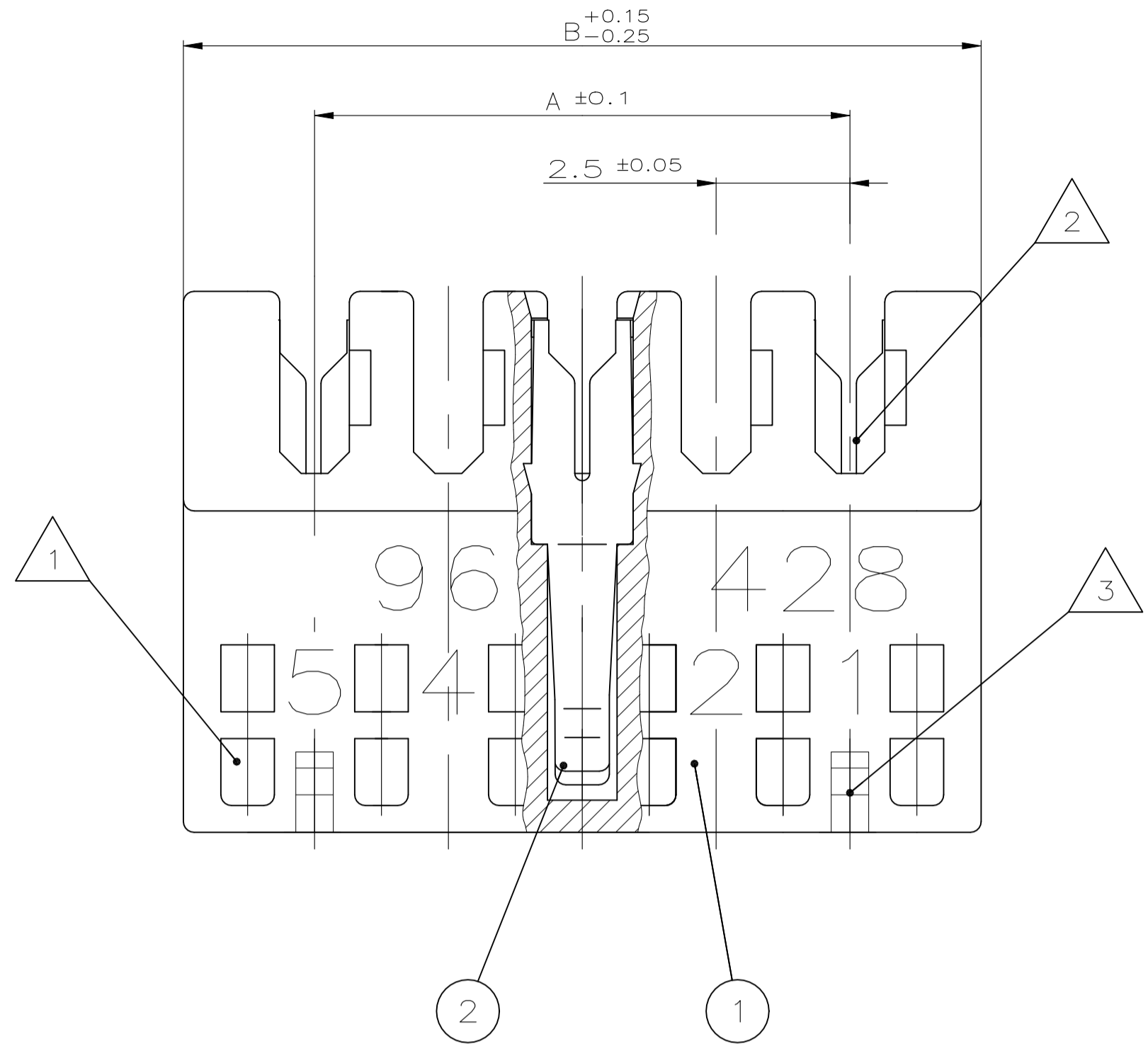


NICHT VERMASSTE KANTEN SIND NICHT MAßSTÄBLICH  
 ANDERUNGEN DIE DEM TECHNISCHEN FORTSCHRITT DIENEN, BEHALTEN WIR UNS VOR

| REVISIONS |           |                           |    |     |      |
|-----------|-----------|---------------------------|----|-----|------|
| REV       | DATE      | DESCRIPTION               | BY | CHK | APPV |
| E3        | 27JAN2023 | REVISED PER ECR-22-162225 | SM | FL  |      |



- 15 LOCKING FEATURE FOR INTERIOR LOCKING NOT PRESENT (NOTE 3 DOES NOT APPLY).
- 14 OBSOLETE.
- 13 PART RELEASED WITHOUT EXTENSIVE TERMINATION TESTS
- 12 ALTERNATIVE RESIN PBT GF
- 11 PRELIMINARY - NOT RELEASED FOR PRODUCTION
- 10 POLARIZATION RIB BETWEEN CAVITIES. SEE TYPICAL POLARIZATION CUTOFF ON PCB ON THE RIGHT
- 9 COLOR CODE AREA, STRAIGHT LINE (PERMISSIBLE METHOD: PERMANENT INK PEN)
- 8 PA GF, COLOR NATURAL, UL94-V0 & GWEPT 750°C NO FLAME
- 7 PBT GF, COLOR GRAY,
- 6 PASSENDE GEGENSTECKER:  
 -TABWANNE SIEHE ZEICHNUNG 1971921 AND EQUIVALENT;  
 -LEITERKARTENANSCHLUSS MIT RAHMEN SIEHE ZEICHNUNG 964 575  
 -LEITERKARTENANSCHLUSS OHNE RAHMEN SIEHE SPEZIFIKATION 108-18056
- MATING PARTS:  
 -TABHEADER SEE DRAWING NO.1971921 AND EQUIVALENT;  
 -PCB APPLICATION WITH FRAME SEE DRAWING 964 575  
 -PCB APPLICATION WITHOUT FRAME SEE SPECIFICATION 108-18056
- X ... Kammer mit Kontakt bestückt  
 o ... Kammer ohne Kontakt
- 5 X ... CAVITY LOADED WITH CONTACT  
 o ... CAVITY WITHOUT CONTACT
- 4 SCHNITTBEREICH DURCH HERSTELLUNGSPROZESS  
 CUTTING AREA FROM PRODUCING PROCESS
- 3 RASTMÖGLICHKEIT FÜR INNENVERRASTUNG AUF ANFRAGE  
 LOCKING FEATURE FOR INTERIOR LOCKING BY REQUEST
- 2 DRAHTGRÖßENBEREICH, DGB I (7x∅0.2mm=0.22mm², 12x∅0.2mm=0.35mm²).  
 SIEHE VERARBEITUNGSANWEISUNG 114-18049
- WIRE RANGE, DGB I (7x∅0.2mm=0.22mm², 12x∅0.2mm=0.35mm²).  
 SEE APPLICATION SPECIFICATION 114-18049
- 1 KODIERSTRIPPS; SCHNEIDEN AUF DER VERARBEITUNGSMASCHINE MÖGLICH.  
 KEYING RIBS; CUTTING WITH THE TERMINATION MACHINE POSSIBLE

| POS. | DIM A | DIM B     | TE P/N     | TE P/N      | TE P/N      |
|------|-------|-----------|------------|-------------|-------------|
| X    | 20    | 47.5 52.4 | 3-966481-0 | 1-2311506-0 | 3-2402970-0 |
| X    | 20    | 47.5 52.4 | 5-966481-0 | -           | -           |
| X    | 19    | 45.0 49.9 | 3-966481-9 | 2311506-9   | 3-2402970-9 |
| X    | 18    | 42.5 47.4 | 5-966481-8 | -           | -           |
| X    | 17    | 40.0 44.9 | 3-966481-7 | 2311506-7   | 3-2402970-7 |
| X    | 16    | 37.5 42.4 | -          | -           | -           |
| X    | 15    | 35.0 39.9 | 4-966481-5 | -           | -           |
| X    | 15    | 35.0 39.9 | 3-966481-5 | -           | 3-2402970-5 |
| X    | 14    | 32.5 37.4 | -          | -           | -           |
| X    | 13    | 30.0 34.9 | 3-966481-3 | 1-2311506-3 | 3-2402970-3 |
| X    | 12    | 27.5 32.4 | -          | -           | -           |
| X    | 11    | 25.0 29.9 | 3-966481-1 | 3-2311506-1 | 3-2402970-1 |
| X    | 10    | 22.5 27.4 | -          | -           | -           |
| X    | 9     | 20.0 24.9 | 3-966480-9 | 4-2311505-9 | 3-2403114-9 |
| X    | 8     | 17.5 22.4 | -          | -           | -           |
| X    | 7     | 15.0 19.9 | 5-966480-7 | 4-2311505-7 | -           |
| X    | 7     | 15.0 19.9 | 4-966480-7 | 3-2311505-7 | -           |
| X    | 7     | 15.0 19.9 | 3-966480-7 | 5-2311505-7 | 3-2403114-7 |
| X    | 6     | 12.5 17.4 | 5-966480-6 | -           | -           |
| X    | 6     | 12.5 17.4 | 4-966480-6 | -           | -           |
| X    | 6     | 12.5 17.4 | 3-966480-6 | -           | 3-2403114-6 |
| X    | 6     | 12.5 17.4 | 2-966480-6 | 3-2311505-6 | -           |
| X    | 5     | 10.0 14.9 | 4-966480-5 | 5-2311505-5 | -           |
| X    | 5     | 10.0 14.9 | 3-966480-5 | 6-2311505-5 | 3-2403114-5 |
| X    | 4     | 7.5 12.4  | -          | -           | -           |
| X    | 3     | 5.0 9.9   | 3-966480-3 | 6-2311505-3 | 3-2403114-3 |

|  |      |                     |                      |  |                  |  |                    |
|--|------|---------------------|----------------------|--|------------------|--|--------------------|
| THIS DRAWING IS A CONTROLLED DOCUMENT. |      |                     |                      | DIN 08.06.94<br>SCHNAUBELT             |                  | TE Connectivity  |                    |
| DIMENSIONS: mm                         |      |                     |                      | TOLERANCES UNLESS OTHERWISE SPECIFIED: |                  | NAME: BORMUTH  |                    |
| 0. PLC ± 0.2                           |      |                     |                      | 1. PLC ± 0.2                           |                  | PRODUCT SPEC: AMP DUOPLUG 2.5 <sup>SM</sup> FEMALE CONNECTOR                   |                    |
| 2. PLC ± 0.2                           |      |                     |                      | 3. PLC ± 0.2                           |                  | 3-20 POSITION, DGB I, SELECTIV LOADED  |                    |
| 4. PLC ± 0.2                           |      |                     |                      | ANGLES ± 1°                            |                  | AMP DUOPLUG 2.5 <sup>SM</sup> Federleiste, 3-20 polig, DGB I selektiv bestückt |                    |
| SIEHE TABELLE 2                        | -    | KONTAKT             | CuSn                 | VORVERZINNT                            | MATERIAL         | FINISH   | SIZE: A1           |
| SEE TABLE 1                            | -    | FEDERLEISTENGEHÄUSE | SIEHE TABELLE        | SIEHE TABELLE                          | WEIGHT           | 114-18049-1  | CAGE CODE: 00779   |
| BESTELL-NR.                            | POS. | STÜCK               | BENENNUNG EINZELTEIL | WERKSTOFF                              | OBERFLÄCHE FARBE | RESTRICTED TO: 00779   | DRAWING NO: 966480 |
| CUSTOMER DRAWING                       |      |                     |                      | SCALE: 10:1                            |                  | SHEET 1 OF 1   |                    |