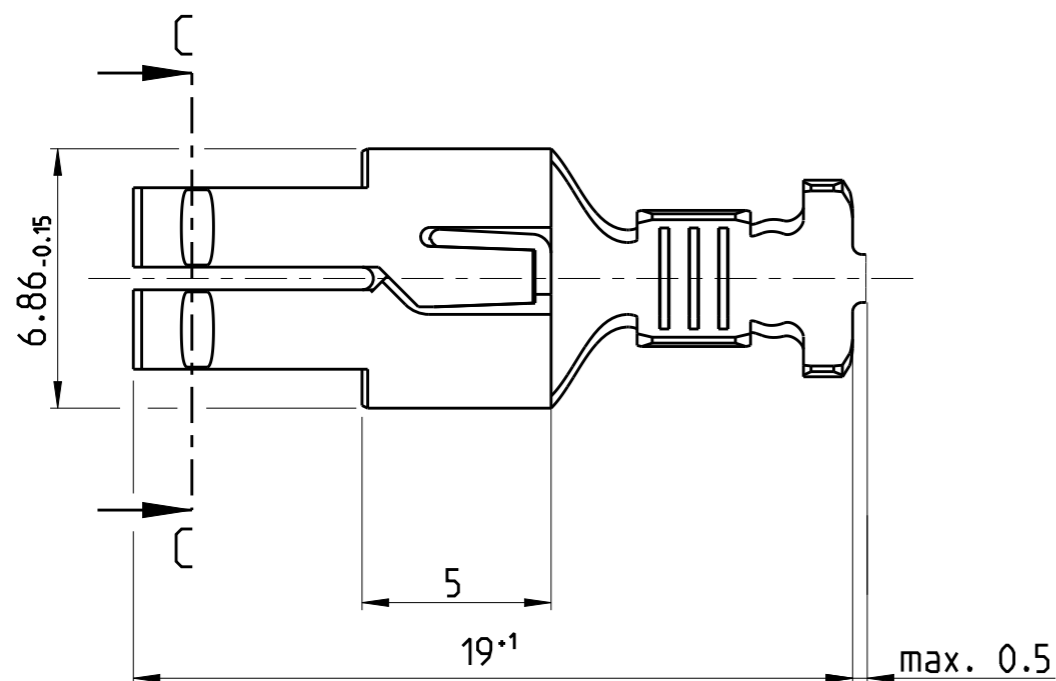
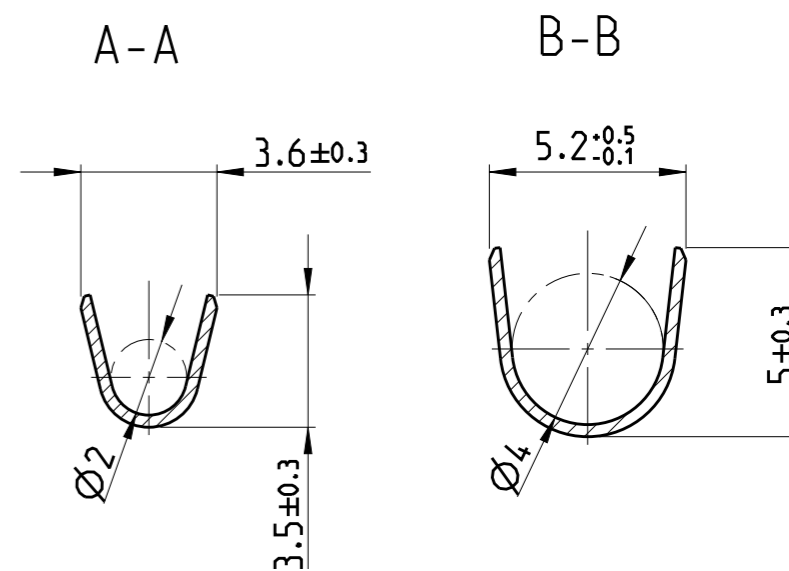
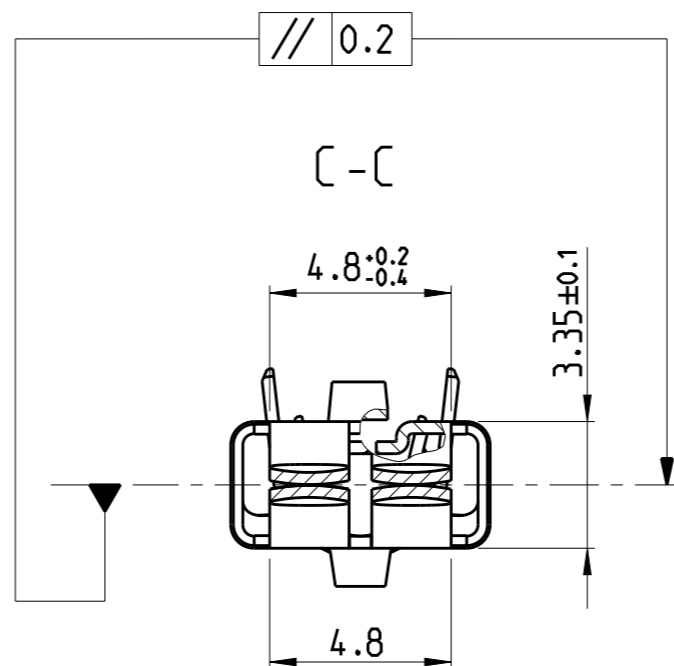
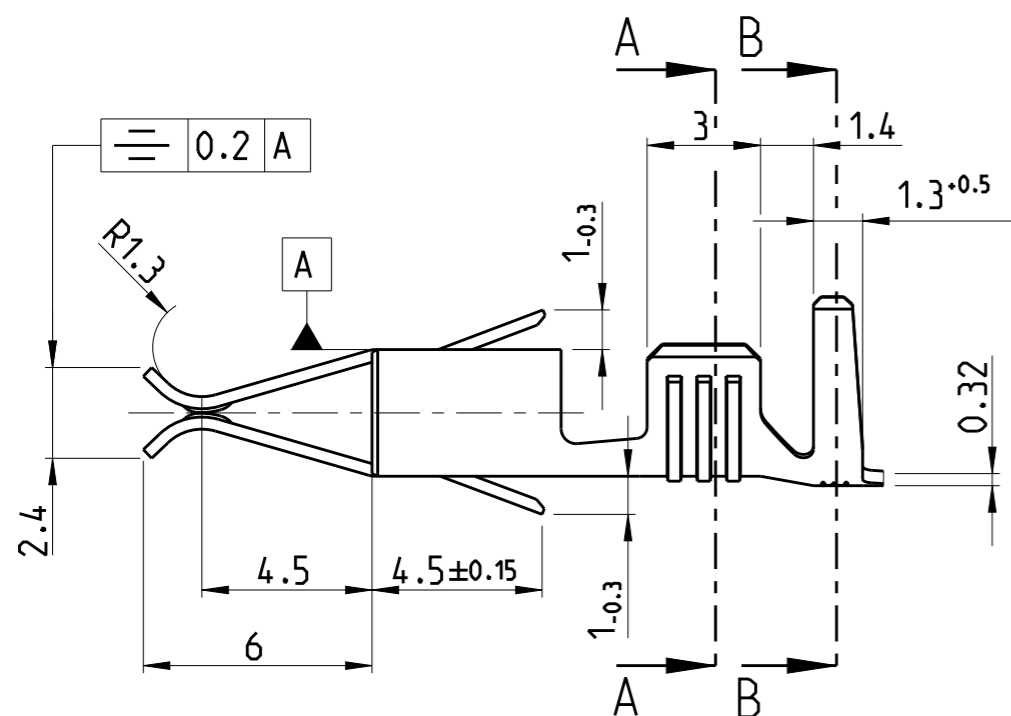


LOC  
AL

DIST  
2

REVISIONS

P	LTR	DESCRIPTION	DATE	DWN	APVD
C3		ECR-15-017138	01DEC2015	KD	RR
C4		ECR-15-018664	28DEC2015	KD	RR
C5		ECR-20-008886	23JUN2020	JP	FL

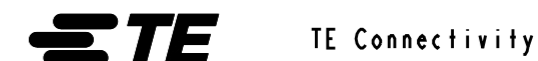


	-	STANDARD-TIMER Kontakt	CuNiSi	964202-4	C
OBSOLETE	-	<del>STANDARD-TIMER Kontakt</del>	<del>CuFe</del>	<del>964202-3</del>	<del>C</del>
OBSOLETE	-	<del>STANDARD-TIMER Kontakt</del>	<del>CuSn</del>	<del>964202-2</del>	<del>C</del>
	-	STANDARD-TIMER Kontakt	CuZn30	964202-1	C
	LOOSE PIECE	FINISH	MATERIAL	PART NO.	REV.

WIRE RANGE: 1.5-2.5 mm<sup>2</sup>  
 INSULATION RANGE: Ø2.4-3.7mm

THIS DRAWING IS A CONTROLLED DOCUMENT.

DWN ATZMANN 06JAN1994  
 CHK BARTOSCH 18JAN1994  
 APVD -



NAME  
 STANDARD TIMER CONTACT  
 Kontakt mit zwei Rastfedern

DIMENSIONS:	TOLERANCES UNLESS OTHERWISE SPECIFIED:
mm	
	0 PLC ±0.2 mm
	1 PLC ±0.2 mm
	2 PLC ±0.2 mm
	3 PLC ±0.2 mm
	4 PLC ±0.2 mm
ANGLES	±1°
FINISH	-

PRODUCT SPEC -  
 APPLICATION SPEC -  
 WEIGHT -

SIZE	CAGE CODE	DRAWING NO	RESTRICTED TO
A3	-	C-964202	-

Customer Drawing SCALE 5:1 SHEET 1 OF 1 REV C5