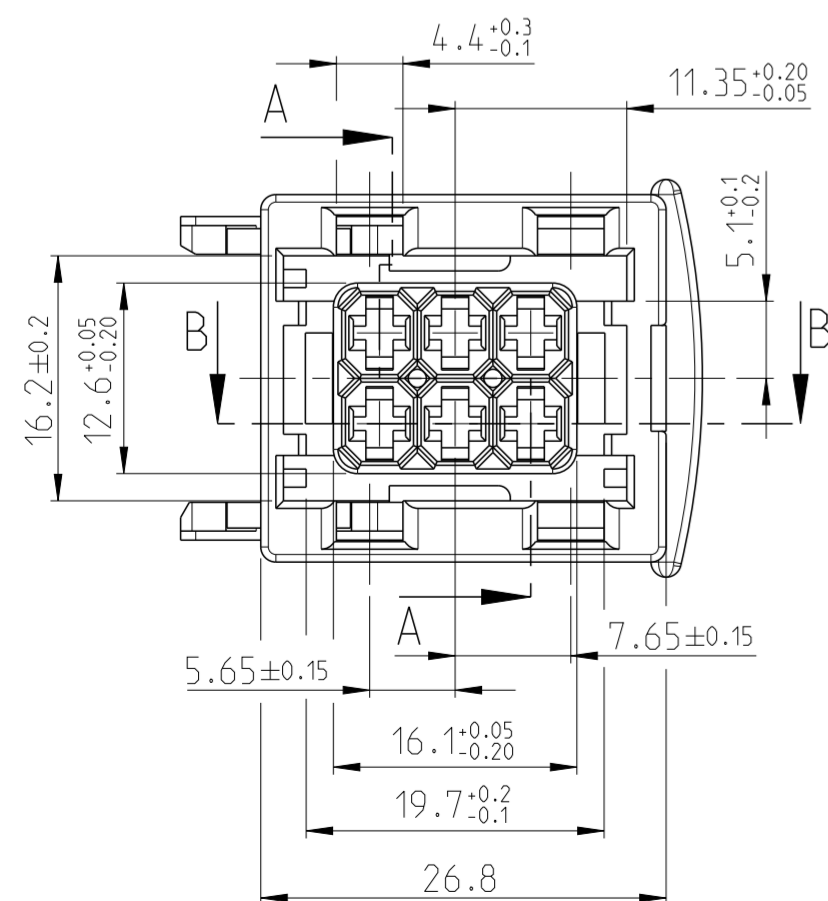
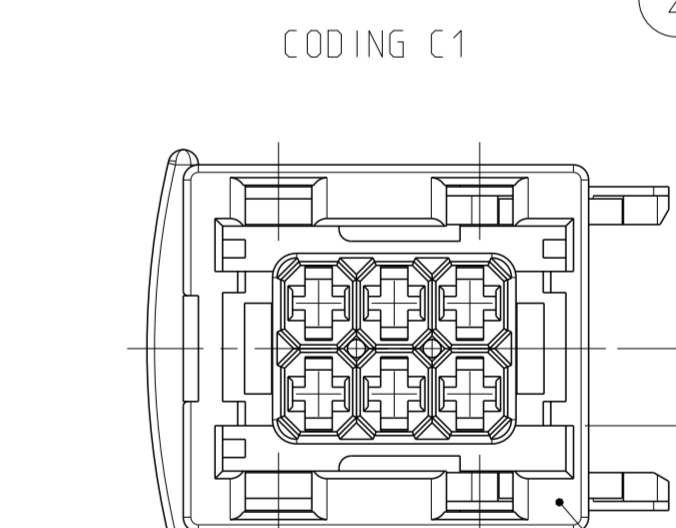
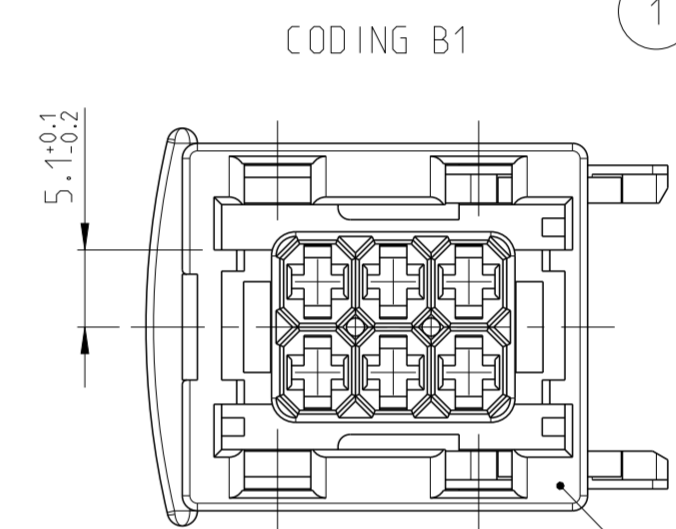
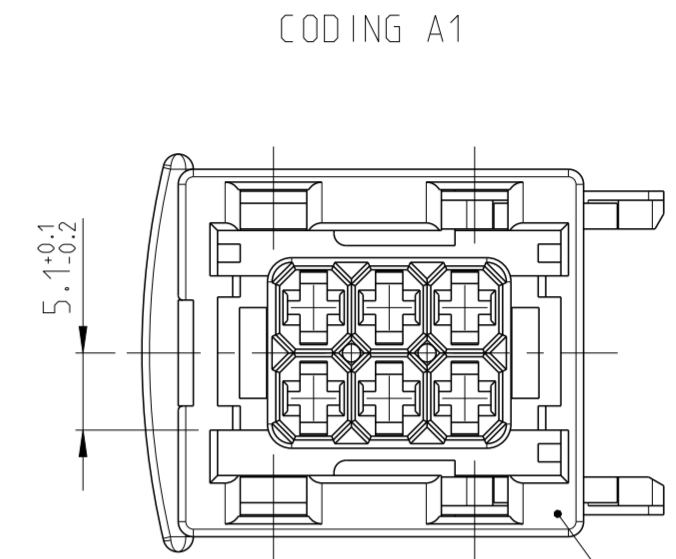
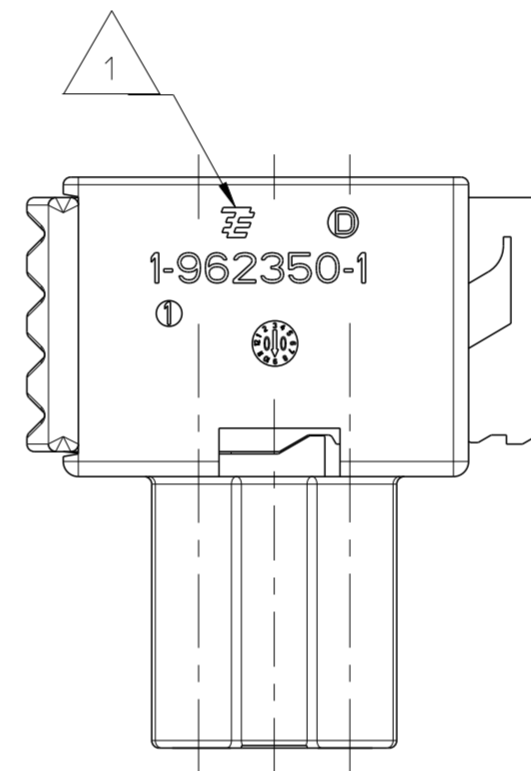
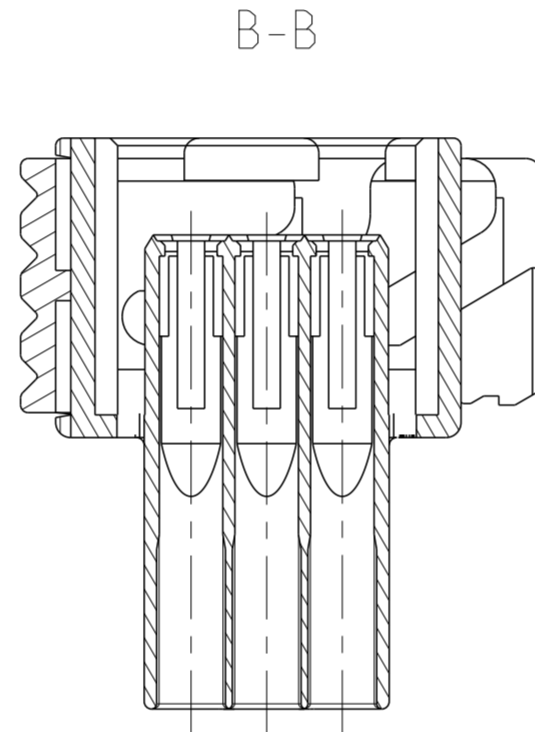
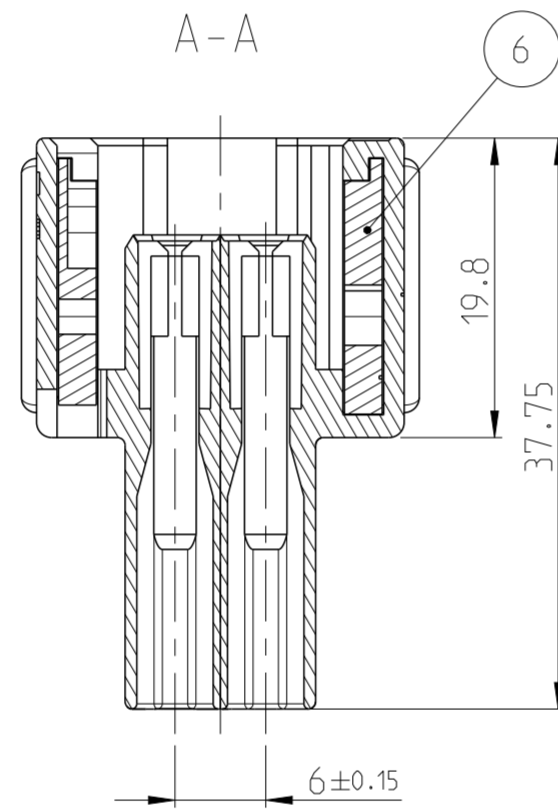
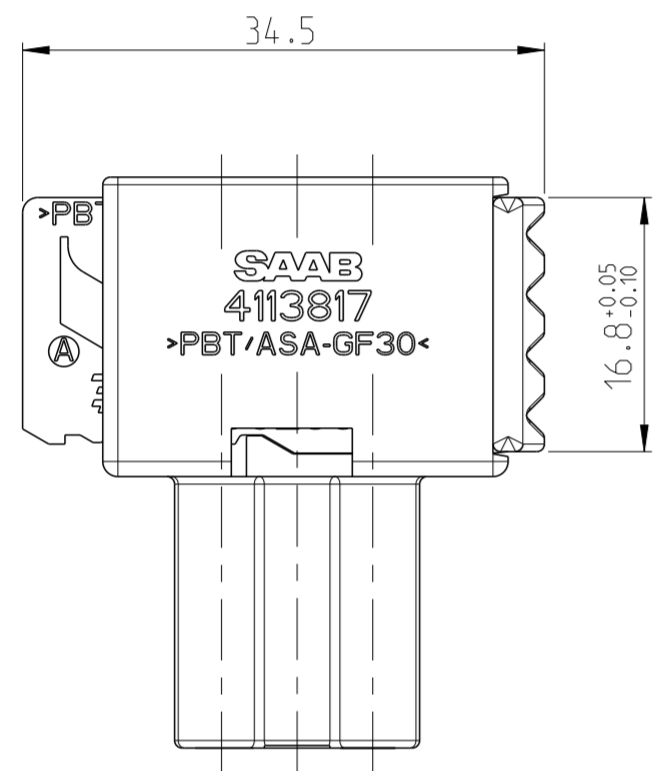
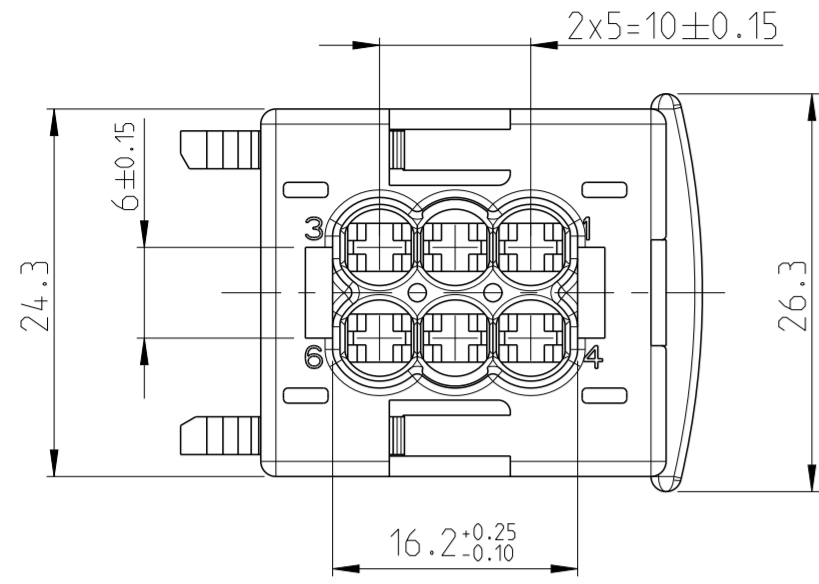


REVISIONS					
P	LTR	DESCRIPTION	DATE	DWN	APVD
D1		SEE ECR-10-024362	08DEC2010	BM	TK
D2		SLIDE PART MATERIAL DESCRIPTION CORRECTION	27JUL2023	KMD	-



TE PART NO.	REV	PCS.	SAAB PART NO.	MATERIAL	COLOUR	DESCRIPTION	ITEM
5-963212-1	D	1		PBT/ASA-GF30	RED	SLIDE	6
5-963212-1	D	1		PBT/ASA-GF30	WHITE	6 POS. JPT HSG. COD N	5
4-963212-1	D	1		PBT/ASA-GF30	RED	SLIDE	6
4-963212-1	D	1		PBT/ASA-GF30	BROWN	6 POS. JPT HSG. COD D1	4
3-963212-1	D	1	4113833	PBT/ASA-GF30	RED	SLIDE	6
3-963212-1	D	1		PBT/ASA-GF30	BLUE	6 POS. JPT HSG. COD C1	3
2-963212-1	D	1	4113825	PBT/ASA-GF30	RED	SLIDE	6
2-963212-1	D	1		PBT/ASA-GF30	GREY	6 POS. JPT HSG. COD B1	2
1-963212-1	D	1	4113817	PBT/ASA-GF30	RED	SLIDE	6
1-963212-1	D	1		PBT/ASA-GF30	BLACK	6 POS. JPT HSG. COD A1	1

1- -1 AS SHOWN

NOTES
Bemerkung

NEW TE LOGO VALID ONLY FOR NEW TOOLS

THIS DRAWING IS A CONTROLLED DOCUMENT.

DIMENSIONS:	TOLERANCES UNLESS OTHERWISE SPECIFIED:
mm	0 PLC ±0.3mm
	1 PLC ±0.3mm
	2 PLC ±0.3mm
	3 PLC ±
	4 PLC ±
	ANGLES ±°
MATERIAL	FINISH
material_2	finish_spec_2

DWN	M. Benes	08DEC2010
CHK	S. Ryska	08DEC2010
APVD	I. Konerny	09DEC2010
PRODUCT SPEC	108-18102	
APPLICATION SPEC	114-18175	
WEIGHT	-	
CUSTOMER DRAWING	SCALE 2:1	SHEET 1 OF 1

NAME		RESTRICTED TO	
6POS. JPT-HSG. ASSY		-	
6pol. JPT Gehaeuse Assy		-	
SIZE	CAGE CODE	DRAWING NO	REV
A2	100779	G-963212	02

