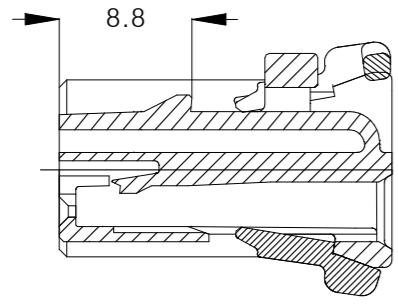
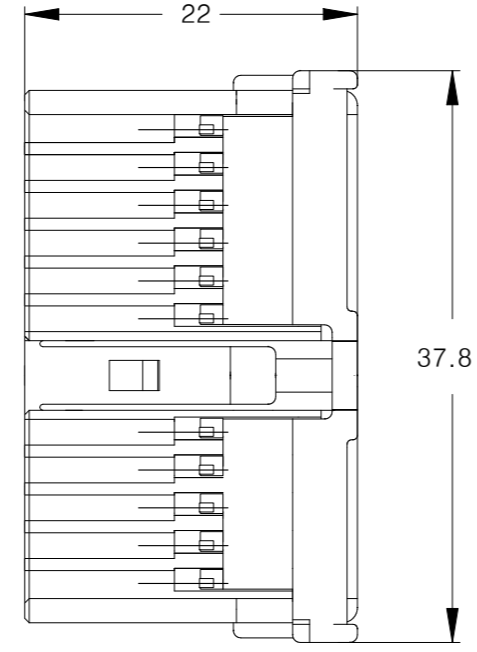
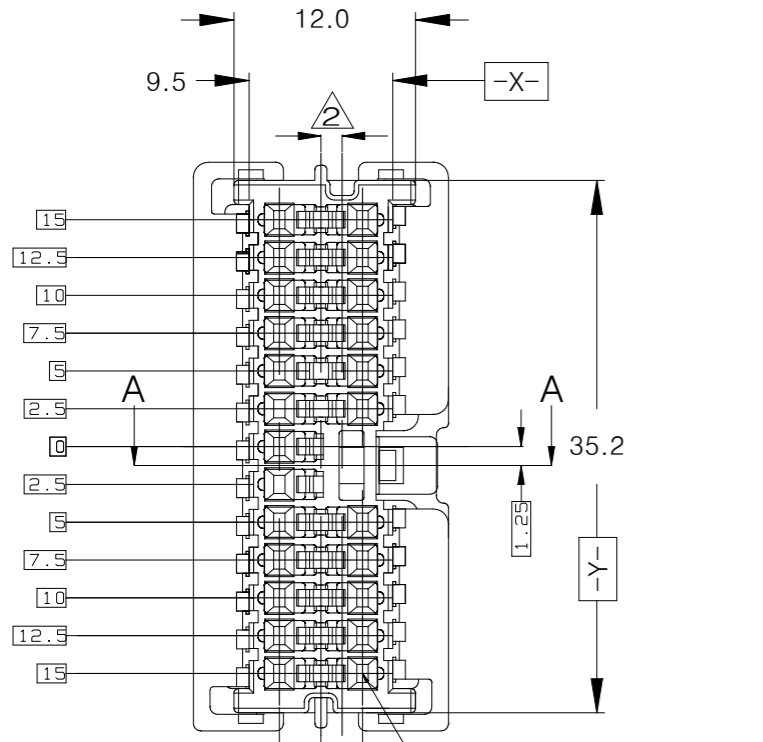
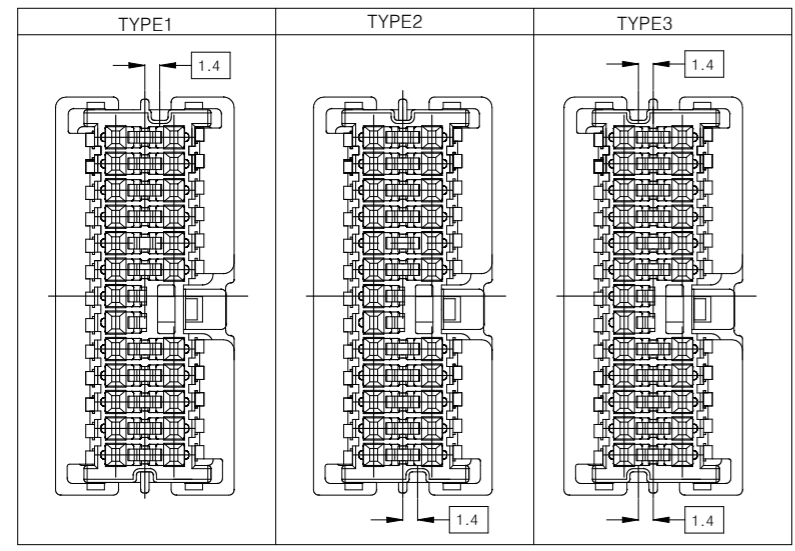
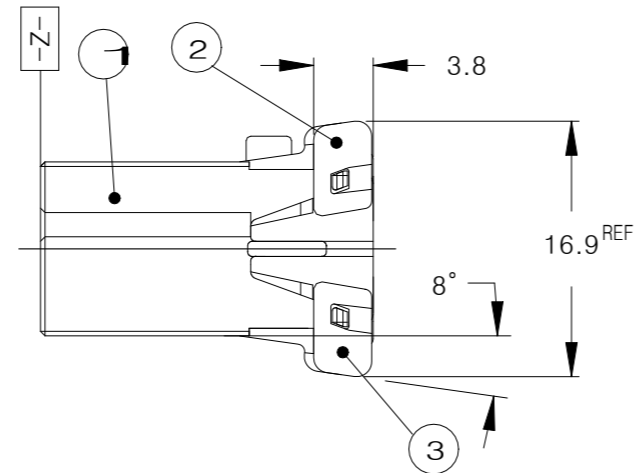


REVISIONS					
P	LTR	DESCRIPTION	DATE	DWN	APVD
	A	REVISED(FC00-0101-03)	19/JUL/'03	HS	CS
	B	REVISED(ECR-05-009378)	22/AUG/'05	IS	JK
	B1	REVISED PER ECR-23-177343	23MAY2023	RK	JT



SECTION A-A
<KEY CODE>



TOLERANCES UNLESS OTHERWISE SPECIFIED:

0 <XX<10	± 0.2
10 <XX<30	± 0.25
30 <XX	± 0.3
ANGLES	± 3°

THIS DRAWING IS A CONTROLLED DOCUMENT.

DIMENSIONS: mm	TOLERANCES UNLESS OTHERWISE SPECIFIED:
	0 PLC ± -
	1 PLC ± -
	2 PLC ± -
	3 PLC ± -
	4 PLC ± -
ANGLES ± -	
MATERIAL SEE NOTE	FINISH -

- NOTES:
- PLATE MUST BE COMPLETELY PRE-ASSEMBLED
 - KEY CODE : REFER TO THE TABLE
 - APPLICABLE CONTACT P/N: 316836-1, 316838-1
 - THE MATING P/N ; 936503
- 주기
- PLATE는 그림과 같이 1차 locking 상태로 공급되어짐.
 - KEY CODE : TABLE 참조
 - 적용 TML P/N: 316836-1, 316838-1
 - 상대 하우징 P/N ; 936503

ITEM NO	PARTS NO	MATERIAL	NAME	FINISH/COLOR	KEY CODE TYPE	ASS'Y P/N							
						936475-8	936475-7	936475-6	936475-5	936475-4	936475-3	936475-2	936475-1
③	936495-2		24Pos.DBL LOCK PLATE(A)	BLACK	-	1	1	1	1	1	1	1	1
②	936496-2		24Pos.DBL LOCK PLATE(B)	BLACK	-	1	1	1	1	1	1	1	1
①	936476-8			BLUE	1	1	-	-	-	-	-	-	-
	936476-7			GREEN	1	-	1	-	-	-	-	-	-
	936476-6			RED	1	-	-	1	-	-	-	-	-
	936476-5			YELLOW	1	-	-	-	1	-	-	-	-
	936476-4			BROWN	2	⊕	-	-	-	-	1	-	-
	936476-3			GRAY	3	⊕	-	-	-	-	-	1	-
	936476-2			BLACK	1	-	-	-	-	-	-	-	1
936476-1	PBT	24Pos.PLUG HSG	NATURAL	1	-	-	-	-	-	-	-	-	1

ITEM NO	PARTS NO	MATERIAL	NAME	FINISH/COLOR	KEY CODE TYPE	Q'TY of ASS'Y							
DWN	IS WOO	-											
CHK	BM JANG	-											
APVD	JK SONG	-	NAME	24Pos.PLUG HOUSING ASS'Y 040III MLC CONN.									
PRODUCT SPEC													
APPLICATION SPEC													
SIZE	CAGE CODE	DRAWING NO	RESTRICTED TO										
WEIGHT	-	A300779	C-936475										
CUSTOMER DRAWING						SCALE	2:1	SHEET	1 OF 1	REV	B1		