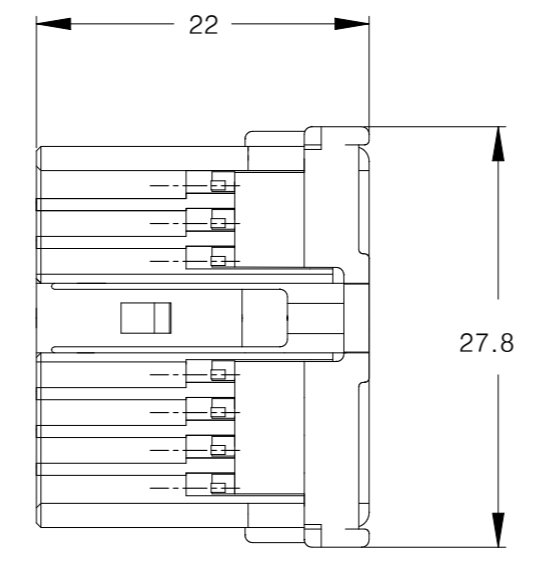
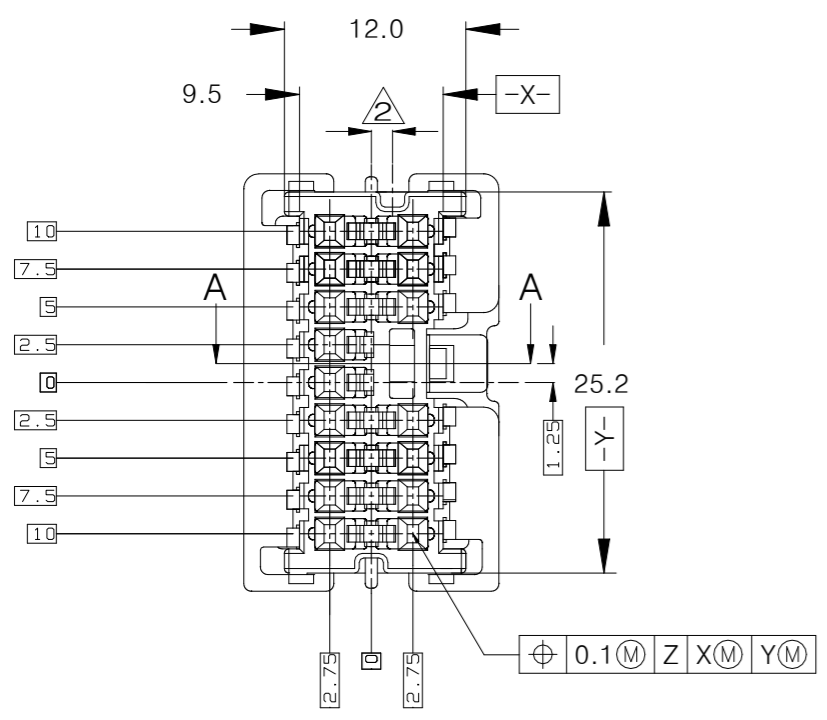
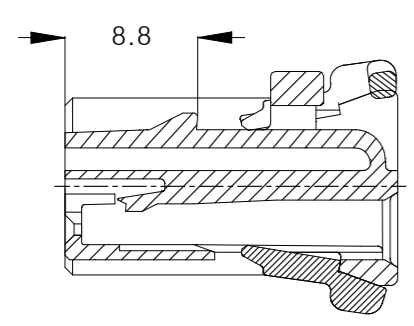


REVISIONS					
P	LTR	DESCRIPTION	DATE	DWN	APVD
	B2	REVISED PER ECR-23-177343	28SEP2023	RK	JT

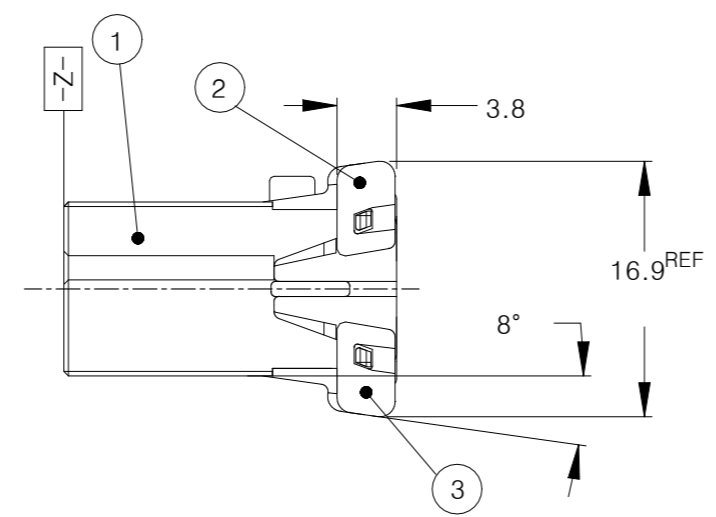


NOTES:
 1. PLATE MUST BE COMPLETELY PRE-ASSEMBLED
 2. KEY CODE : REFER TO THE TABLE
 3. APPLICABLE CONTACT P/N: 316836-1, 316838-1
 4. THE MATING HSG P/N ; 936497

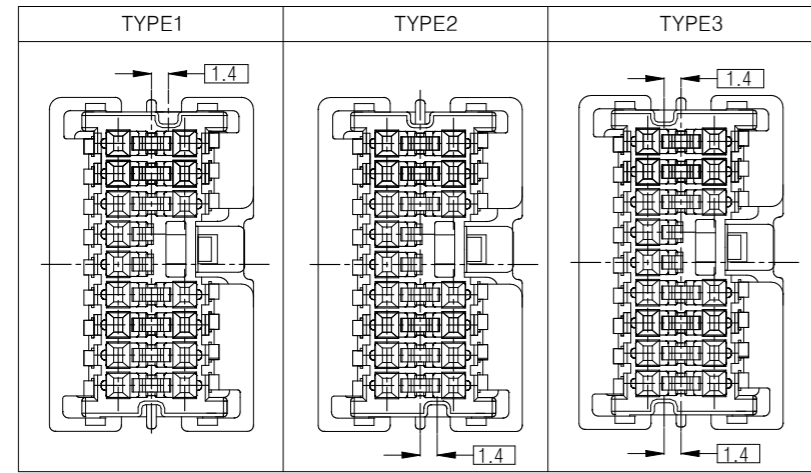
주 기
 1. PLATE는 그림과 같이 1차 locking 상태로 공급되어짐.
 2. KEY CODE : TABLE 참조
 3. 적용 TML P/N: 316836-1, 316838-1
 4. 상대하우징 P/N ; 936497



SECTION A-A



< KEY CODE >



TOLERANCES UNLESS OTHERWISE SPECIFIED:

0 <XX<10	± 0.2
10 <XX<30	± 0.25
30 <XX	± 0.3
ANGLES	± 3°

OBSOLETE
OBSOLETE

ITEM NO	PARTS NO	MATERIAL	NAME	FINISH/COLOR	KEY CODE	ASS'Y P/N							
						936471-8	936471-7	936471-6	936471-5	936471-4	936471-3	936471-2	936471-1
③	936491-2		16Pos.DBL LOCK PLATE(A)	BLACK	-	1	1	1	1	1	1	1	1
②	936492-2		16Pos.DBL LOCK PLATE(B)	BLACK	-	1	1	1	1	1	1	1	1
①	936472-8			BLUE	1	1	-	-	-	-	-	-	-
	936472-7			GREEN	1	-	1	-	-	-	-	-	-
	936472-6			RED	1	-	-	1	-	-	-	-	-
	936472-5			YELLOW	1	-	-	-	1	-	-	-	-
	936472-4			BROWN	2	Ⓐ	-	-	-	1	-	-	-
	936472-3			GRAY	3	Ⓐ	-	-	-	-	1	-	-
	936472-2			BLACK	1	-	-	-	-	-	-	1	-
936472-1	PBT		16Pos.PLUG HSG	NATURAL	1	-	-	-	-	-	-	1	

THIS DRAWING IS A CONTROLLED DOCUMENT.

DIMENSIONS: mm	TOLERANCES UNLESS OTHERWISE SPECIFIED:
	0 PLC ± -
	1 PLC ± -
	2 PLC ± -
	3 PLC ± -
	4 PLC ± -
	ANGLES ± -
MATERIAL SEE NOTE	FINISH -

DWN IS WOO
 CHK BM JANG
 APVD JK SONG
 PRODUCT SPEC
 APPLICATION SPEC

STE TE Connectivity

NAME: 16Pos. PLUG HOUSING ASS'Y 040 III MLC CONN.

SIZE: A3 CAGE CODE: 00779 DRAWING NO: C-936471 RESTRICTED TO: -

WEIGHT: 0

CUSTOMER DRAWING SCALE: 1:1 SHEET: 1 OF 1 REV: B2