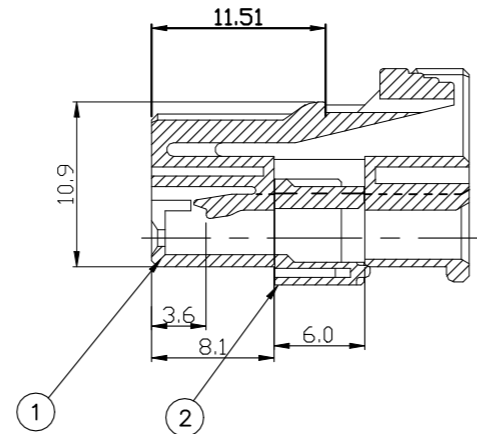
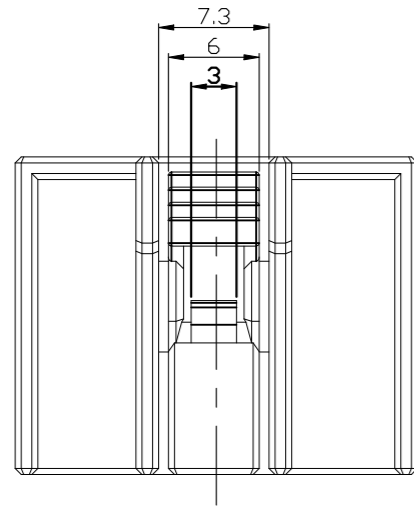
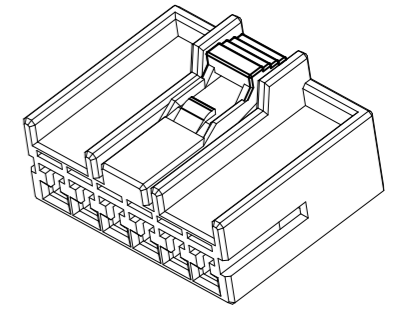
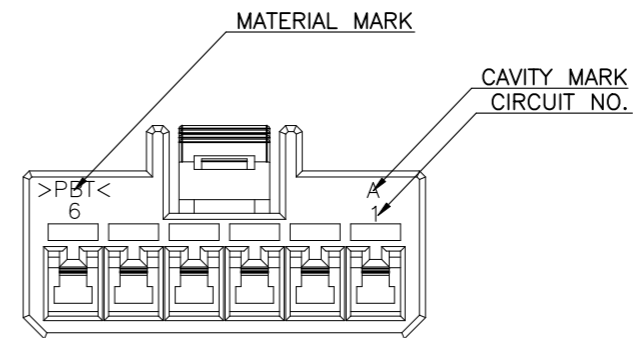
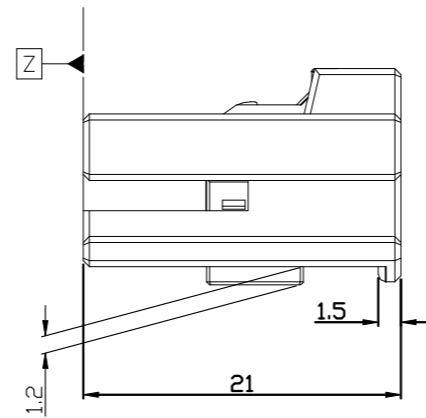
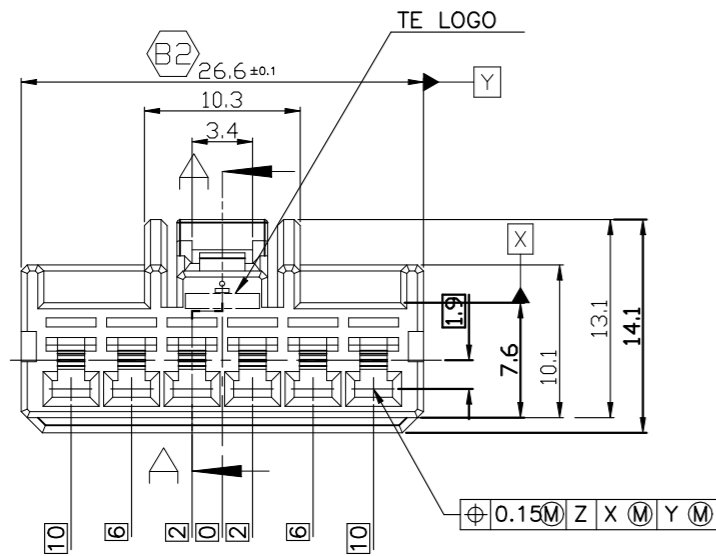


P	LTR	DESCRIPTION	DATE	DWN	APVD
B2		REVISED(ECR-21-107825)	22JUL2021	DH	YJ



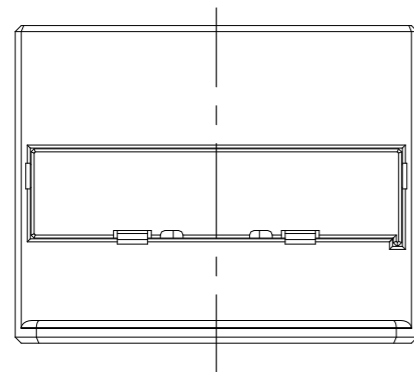
SECTION A - A

1. THE MATING HSG. P/N ; 936240
2. APPLIED CONTACT P/N ;
090 II REC. - 368083, 368084, 368085
090 III REC. - 1743654, 1743655, 1743656, 1897753, 1897598
3. GENERAL TOLERANCES
0 <XX<10 ± 0.2
10<XX<30 ± 0.25
30<XX ± 0.3
ANGLES ± 3°



NO	COLOR	MATERIAL	DESCRIPTION	P/N	QTY
1	BLUE	PBT	PLUG	0-936231-8	1
	YELLOW	PBT	PLUG	0-936231-5	1
	BROWN	PBT	PLUG	0-936231-4	1
	D/GRAY	PBT	PLUG	0-936231-3	1
	BLACK	PBT	PLUG	0-936231-2	1
	NATURAL	PBT	PLUG	0-936231-1	1
2	NATURAL	PBT	DBL	0-936094-1	1 1 1 1 1 1
				P/N	QTY

ASSY P/N
0-936230-8
0-936230-5
0-936230-4
0-936230-3
0-936230-2
0-936230-1



THIS DRAWING IS A CONTROLLED DOCUMENT.

DIMENSIONS: mm	TOLERANCES UNLESS OTHERWISE SPECIFIED: 0 PLC ± 1 PLC ± 2 PLC ± 3 PLC ± 4 PLC ± ANGLES ±	DWN KT JUNG CHK HG CHO APVD JW JUNG PRODUCT SPEC — APPLICATION SPEC — WEIGHT 0	TE Connectivity NAME 090III 6P PLUG ASS'Y (1ROW)	
MATERIAL SEE TABLE	FINISH —	CUSTOMER DRAWING	SIZE A3	CAGE CODE 00779
		SCALE 2:1	DRAWING NO C-936230	RESTRICTED TO —
		SHEET 1 OF 1	REV B2	