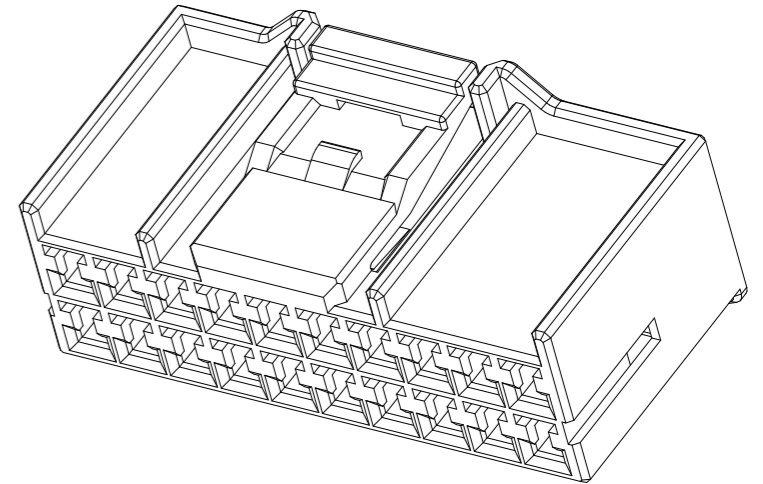
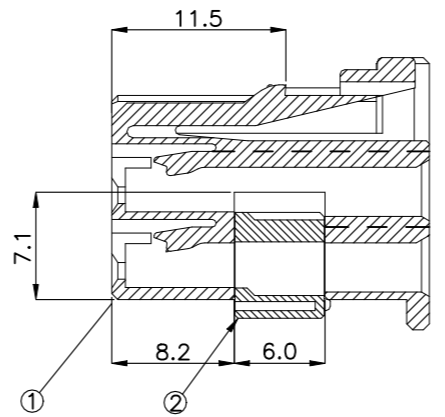
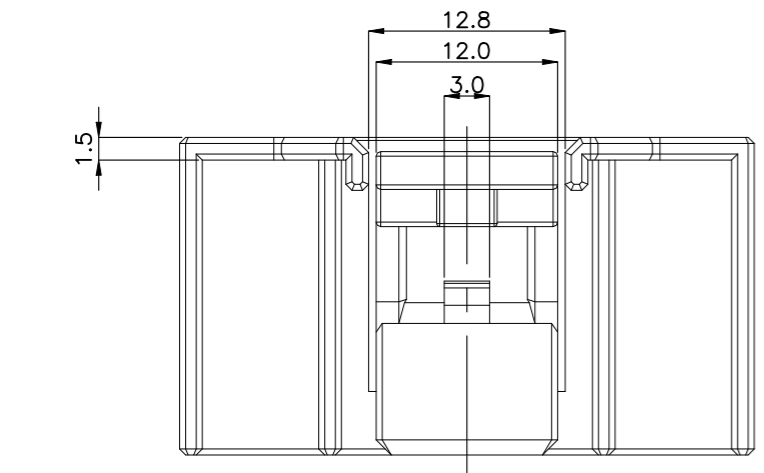
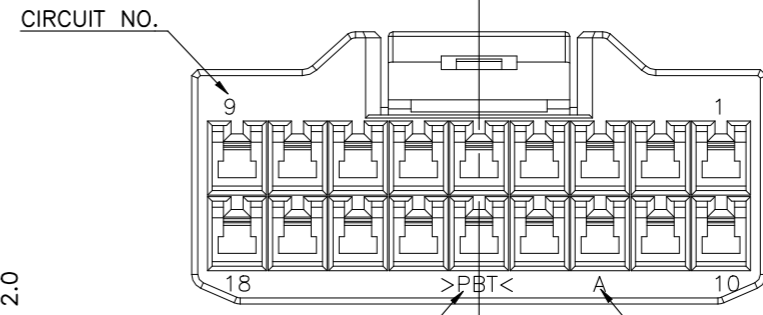
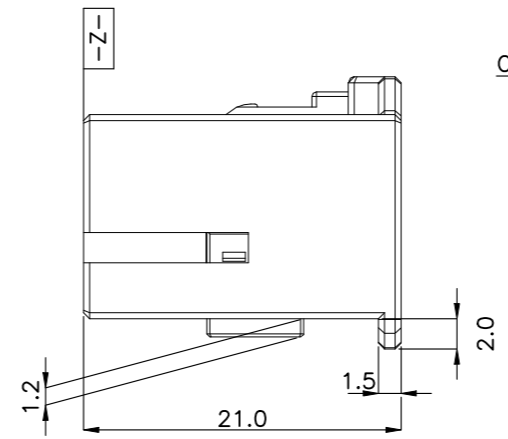
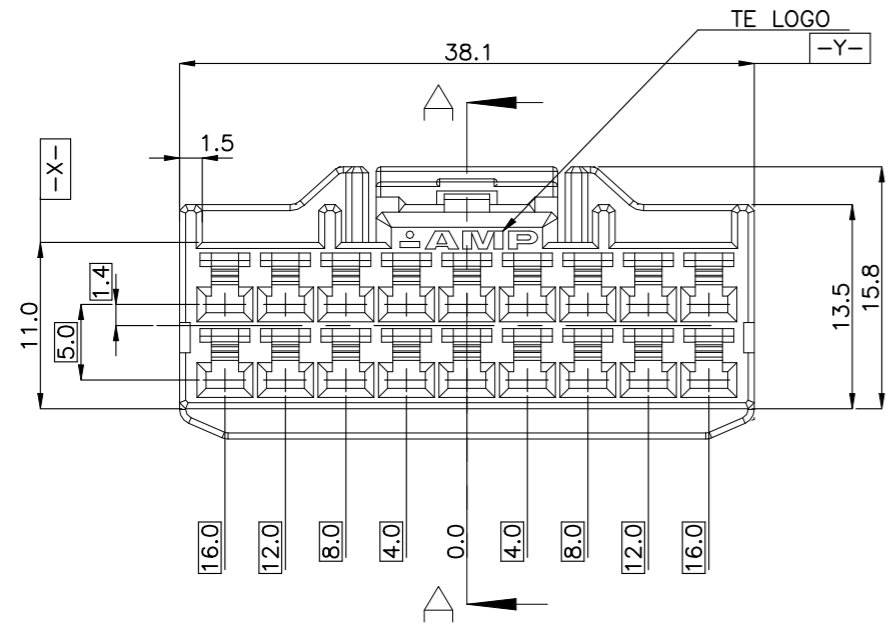


P	LTR	DESCRIPTION	DATE	DWN	APVD
	B4	REVISED PER ECR-23-177343	28SEP2023	RK	JT



SECTION A-A



MATERIAL MARK >PBT< CAVITY MARK A

ASSY P/N	QTY	REMARKS
0-936204-8	1	OBSOLETE
0-936204-7	1	OBSOLETE
0-936204-6	1	OBSOLETE
0-936204-5	1	
0-936204-4	1	
0-936204-3	1	
0-936204-2	1	
0-936204-1	1	

NO	COLOR	MATERIAL	DESCRIPTION	P/N	QTY
1	BLUE	PBT	PLUG	0-936205-8	1
	GREEN	PBT	PLUG	0-936205-7	1
	RED	PBT	PLUG	0-936205-6	1
	YELLOW	PBT	PLUG	0-936205-5	1
	BROWN	PBT	PLUG	0-936205-4	1
	D/GRAY	PBT	PLUG	0-936205-3	1
	BLACK	PBT	PLUG	0-936205-2	1
	NATURAL	PBT	PLUG	0-936205-1	1
2	NATURAL	PBT	DBL	0-936206-1	1 1 1 1 1 1 1 1

TOLERANCES UNLESS OTHERWISE SPECIFIED:
 0 <XXX<10 ± 0.2
 10<XXX<30 ± 0.25
 30<XXX ± 0.3
 ANGLES ± 3°

THIS DRAWING IS A CONTROLLED DOCUMENT.

DIMENSIONS: mm	TOLERANCES UNLESS OTHERWISE SPECIFIED: 0 PLC ± - 1 PLC ± - 2 PLC ± - 3 PLC ± - 4 PLC ± - ANGLES ± -
MATERIAL SEE TABLE	FINISH -

DWN KT JUNG
 CHK JW JUNG
 APVD HG CHO
 PRODUCT SPEC
 APPLICATION SPEC
 WEIGHT 0

STE TE Connectivity

090III 18P PLUG ASS'Y

SIZE A3 CAGE CODE 00779 DRAWING NO C-936204 RESTRICTED TO -

CUSTOMER DRAWING SCALE 1:1 SHEET 1 OF 1 REV B4

- NOTES.
 1. THE MATING HSG. P/N ; 936213
 2. APPLIED CONTACT P/N ;
 090 II REC.- 368083,368084,368085
 090 III REC.- 1743654,1743655,1743656,1897753,1897598
- 추가-
1. 상대 하우징 P/N. ; 936213
 2. 적용단자 P/N. ; 090 II REC.- 368083,368084,368085
 090 III REC.- 1743654,1743655,1743656,1897753,1897598