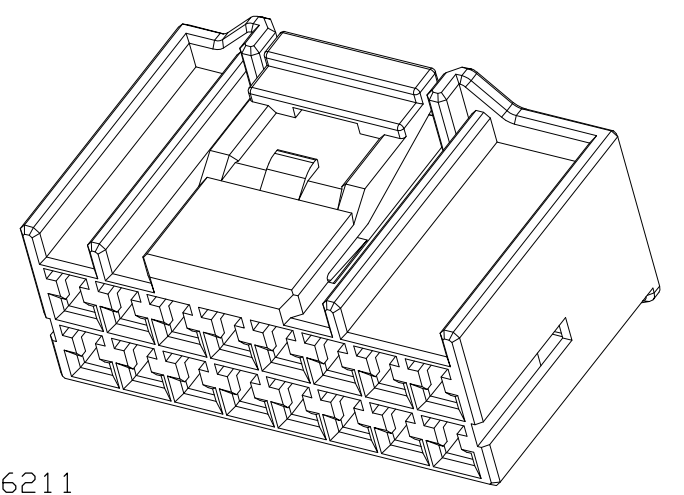
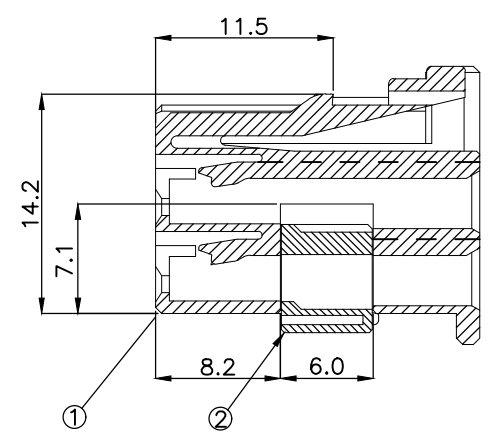
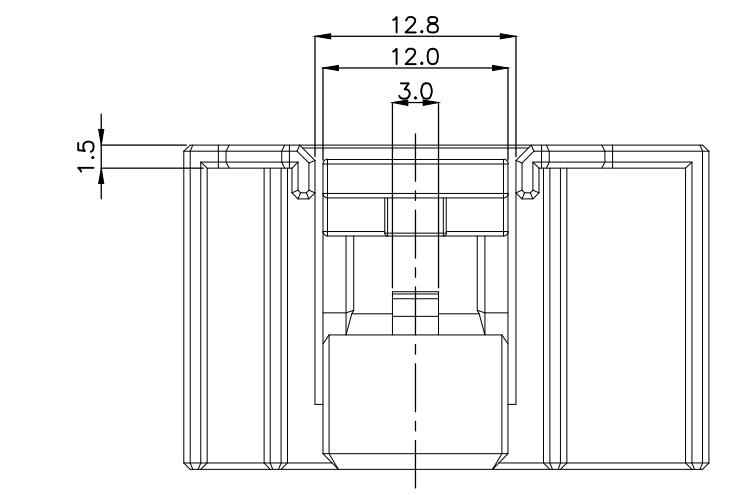
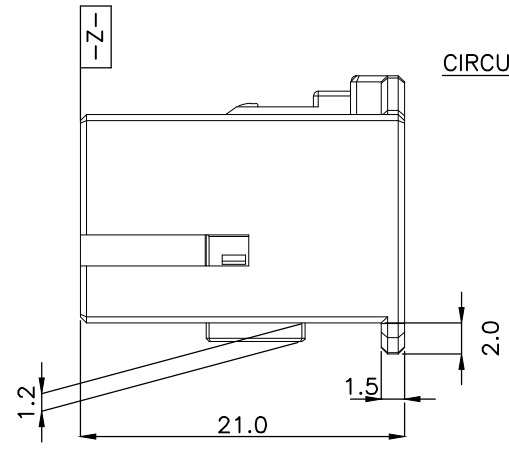
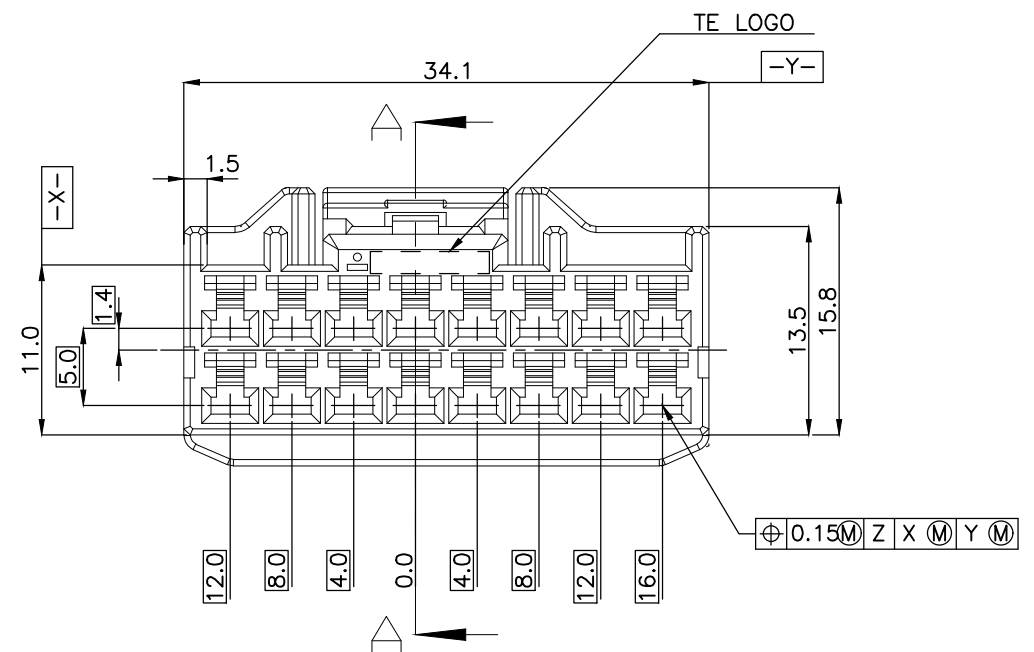


REVISIONS					
P	LTR	DESCRIPTION	DATE	DWN	APVD
C1		REVISED ECR-20-014103	25AUG2020	PSJ	SPB

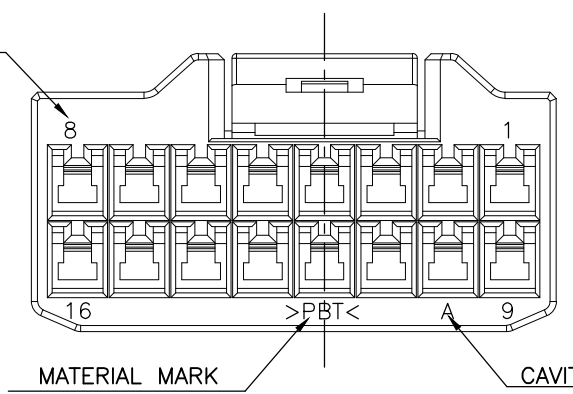


NOTES.
 1. THE MATING HSG. P/N ; 936211
 2. APPLIED CONTACT P/N ;
 090 II REC. - 368083, 368084, 368085
 090 III REC. - 1743654, 1743655, 1743656, 1897753, 1897598
 -추가-
 1. 상대 하우징 P/N. ; 936211
 2. 적용단자 P/N. ; 090 II REC. - 368083, 368084, 368085
 090 III REC. - 1743654, 1743655, 1743656, 1897753, 1897598

SECTION A-A



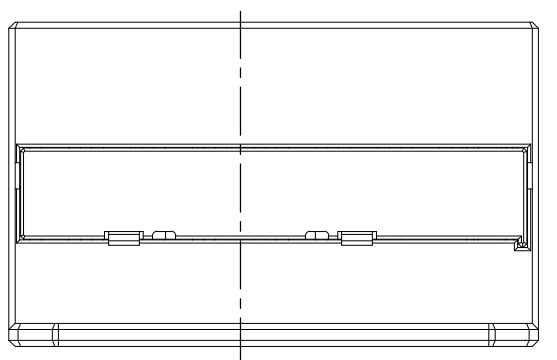
CIRCUIT NO.



090 III REC. - 1743654, 1743655, 1743656, 1897753, 1897598

ASSY P/N	QTY
0-936201-8	1
0-936201-7	1
0-936201-6	1
0-936201-5	1
0-936201-4	1
0-936201-3	1
0-936201-2	1
0-936201-1	1

NO	COLOR	MATERIAL	DESCRIPTION	QTY
1	BLUE	PBT	PLUG	1
	GREEN	PBT	PLUG	1
	RED	PBT	PLUG	1
	YELLOW	PBT	PLUG	1
	BROWN	PBT	PLUG	1
	D/GRAY	PBT	PLUG	1
	BLACK	PBT	PLUG	1
	NATURAL	PBT	PLUG	1
2	NATURAL	PBT	DBL	1
				1
				1
				1
				1
				1
				1
				1
				1



TOLERANCES UNLESS OTHERWISE SPECIFIED:
 0 <XX<10 ± 0.2
 10<XX<30 ± 0.25
 30<XX ± 0.3
 ANGLES ± 3°

THIS DRAWING IS A CONTROLLED DOCUMENT.		DWN	SH JANG
DIMENSIONS: mm		CHK	JW JUNG
TOLERANCES UNLESS OTHERWISE SPECIFIED:		APVD	HG CHO
0 PLC ± -	1 PLC ± -	PRODUCT SPEC	
2 PLC ± -	3 PLC ± -	APPLICATION SPEC	
4 PLC ± -	ANGLES ± -	WEIGHT	0
MATERIAL	FINISH	CUSTOMER DRAWING	
SEE TABLE	-		

DWN		SH JANG		TE Connectivity	
CHK		JW JUNG			
APVD		HG CHO		NAME	
PRODUCT SPEC				090III 16P PLUG ASS'Y	
APPLICATION SPEC					
SIZE	CAGE CODE	DRAWING NO	RESTRICTED TO		
	A300779	C-936201	-		
SCALE		SHEET	REV		
FREE		1 OF 1	C1		