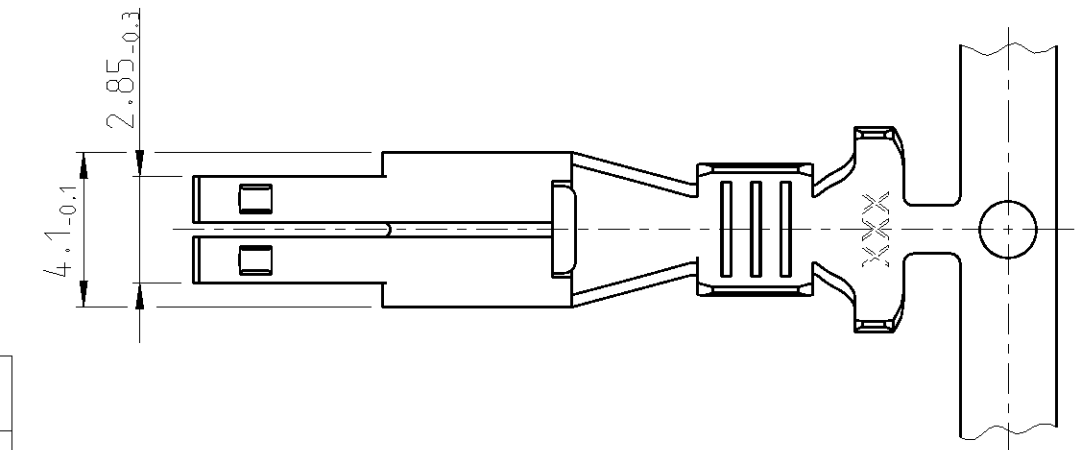
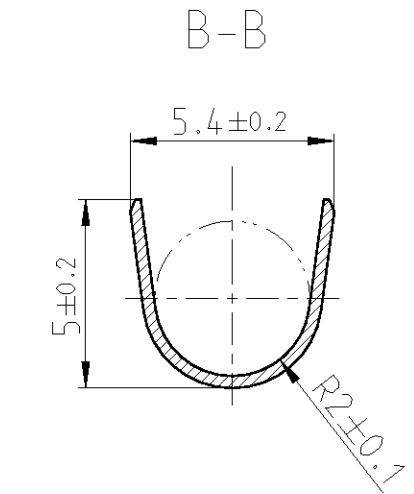
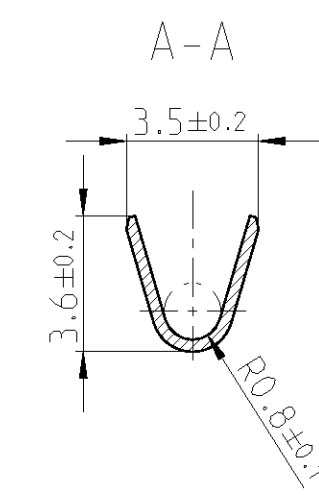
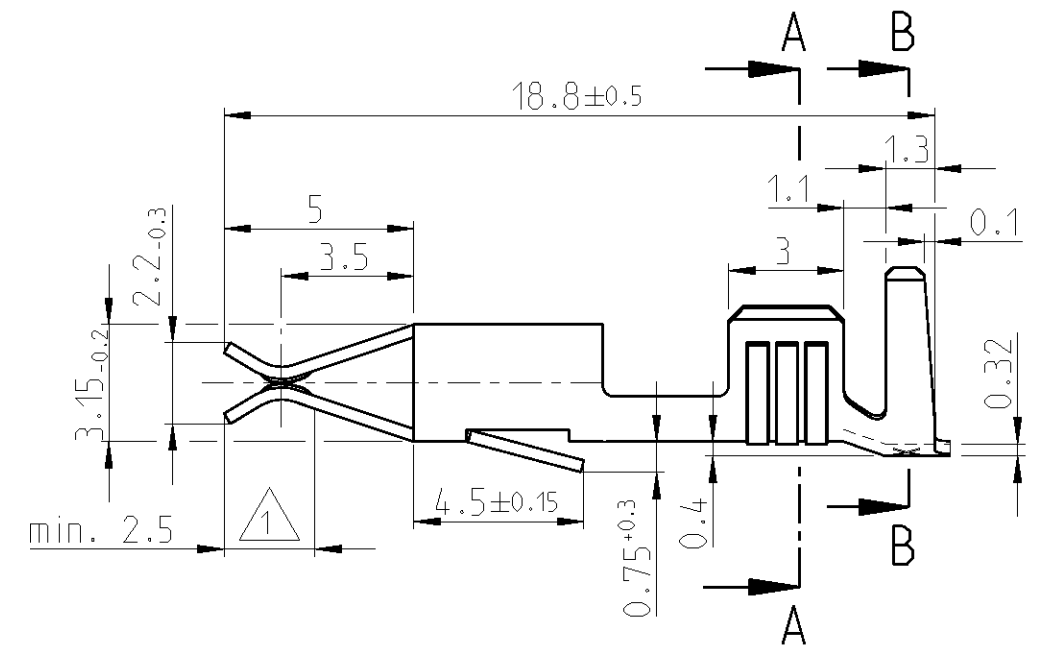


THIS DRAWING IS UNPUBLISHED. RELEASED FOR PUBLICATION 2013  
 © COPYRIGHT 2013 Tyco Electronics AMP GmbH ALL RIGHTS RESERVED.

LOC	DIST	REVISIONS					
		P	LTR	DESCRIPTION	DATE	DWN	APVD
A1	-		R1	Zeichnung neu erstellt	15DEC1998	M.P.	M.B.
			R2	New CAD drawing created.	21JUN2013	Kirs.	Eder



CONDUCTOR CROSS-SECTION IN mm <sup>2</sup> Leitungsquerschnitt in mm <sup>2</sup>									
SINGLE CONNECTION Einzelanschlag									
	0.50	0.75	1.00	1.50	2.00	2.50	3.00	4.00	6.00
0.50	X	X	X						
0.75	X	X							
1.00	X	X							
1.50	X								
2.00									
2.50	X								
3.00									
4.00									
6.00									

WIRE SIZE RANGE: 1.0-2.5mm<sup>2</sup>  
 Drahtgrößenbereich: 1.0-2.5mm<sup>2</sup>  
 INSULATION RANGE: 2.4-3.7mm  
 Isolationsbereich: 2.4-3.7mm  
 CRIMPING CONDUCTOR: FLK-WIRE  
 CONDUCTOR: F-CRIMP  
 INSULATION: F-CRIMP  
 angeschlagener Leiter: FLK-Leitung  
 Leiter: F-Crimp  
 Isolation: F-Crimp

925597-6	PRE TIN	Elmedur-x	925595-6	R
925597-5	SELECTIVE GOLD $\triangle 1$	CuSn4	925595-5	R
925597-4	PRE TIN	CuZn30	925595-4	R
925597-3	SELECTIVE SILVER $\triangle 1$	CuSn4	925595-3	R
925597-2	PRE TIN	CuSn4	925595-2	R
925597-1	PRE TIN	CuZn30	925595-1	R
LOOSE PIECE	FINISH	MATERIAL	STRIP PART	REV

THIS DRAWING IS A CONTROLLED DOCUMENT.		DWN M.Pfeilschiffer 15DEC1998	TE Connectivity <b>JUNIOR-TIMER CONTACT</b> Junior-Timer Kontakt	
		CHK M.Bleicher 08JAN1999		
DIMENSIONS: mm	TOLERANCES UNLESS OTHERWISE SPECIFIED:	APVD -	NAME	
	0 PLC ±0.2 1 PLC ± ISO 8015 2 PLC ± ISO 2768-mH-E 3 PLC ± DIN 16901-140 4 PLC ± ANGLES ±2°	PRODUCT SPEC 108-18053	SIZE	
MATERIAL -	FINISH -	APPLICATION SPEC 114-18079	CAGE CODE A3 00779	DRAWING NO G=925595
		WEIGHT -	RESTRICTED TO -	
		CUSTOMER DRAWING	SCALE 5:1	SHEET 1 OF 1
			REV R2	