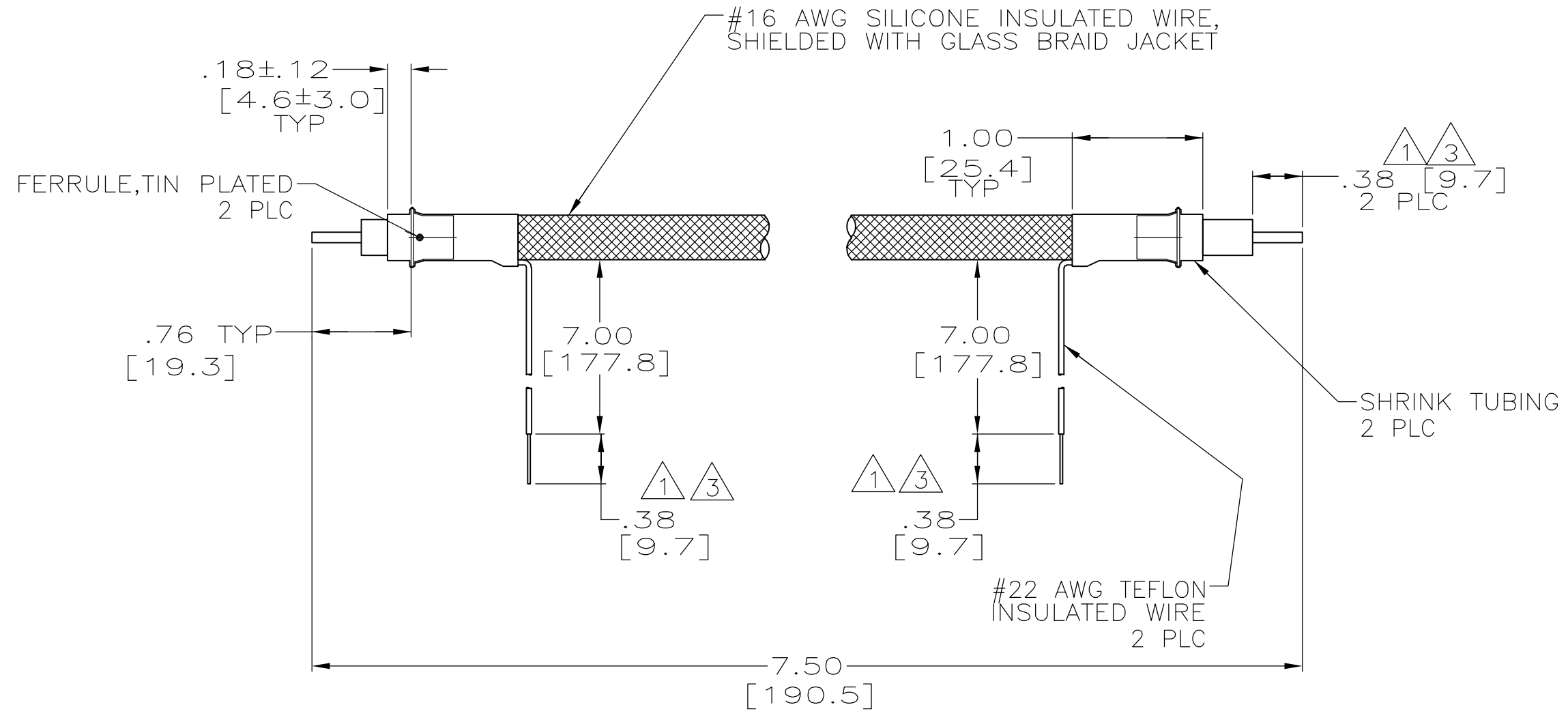


THIS DRAWING IS UNPUBLISHED. RELEASED FOR PUBLICATION
 © COPYRIGHT BY TYCO ELECTRONICS CORPORATION. ALL RIGHTS RESERVED.

LOC	DIST	REVISIONS			
P	LTR	DESCRIPTION	DATE	DWN	APVD
DF	SO				
	D	REV PER ECO 05-015021	30JAN06	BL	CT



3	5-868403-1
1	868403-1
REMARKS	PART NO

- 1 PIGTAILS ARE SOLDER DIPPED.
- 2. MARKED PER MIL-STD-130.
- 3 INSULATION CUT, BUT NOT REMOVED.

THIS DRAWING IS A CONTROLLED DOCUMENT.		DWN	C.C.THOMAS	11-25-96	 Tyco Electronics Corporation Harrisburg, PA 17105-3608												
DIMENSIONS: INCHES		CHK	S.GLATFELTER	1-2-97													
TOLERANCES UNLESS OTHERWISE SPECIFIED:		APVD	S.GLATFELTER	1-2-97													
<table border="1"> <tr><td>0 PLC</td><td>± -</td></tr> <tr><td>1 PLC</td><td>± -</td></tr> <tr><td>2 PLC</td><td>± .12 [3.0]</td></tr> <tr><td>3 PLC</td><td>± -</td></tr> <tr><td>4 PLC</td><td>± -</td></tr> <tr><td>ANGLES</td><td>± -</td></tr> </table>		0 PLC	± -	1 PLC		± -	2 PLC	± .12 [3.0]	3 PLC	± -	4 PLC	± -	ANGLES	± -	PRODUCT SPEC	NAME	
0 PLC	± -																
1 PLC	± -																
2 PLC	± .12 [3.0]																
3 PLC	± -																
4 PLC	± -																
ANGLES	± -																
MATERIAL		APPLICATION SPEC	SIZE		CAGE CODE	DRAWING NO	RESTRICTED TO										
-		WEIGHT	A3		00779	C-868403	-										
CUSTOMER DRAWING				SCALE	1:1	SHEET	1 OF 1										
				REV	D												