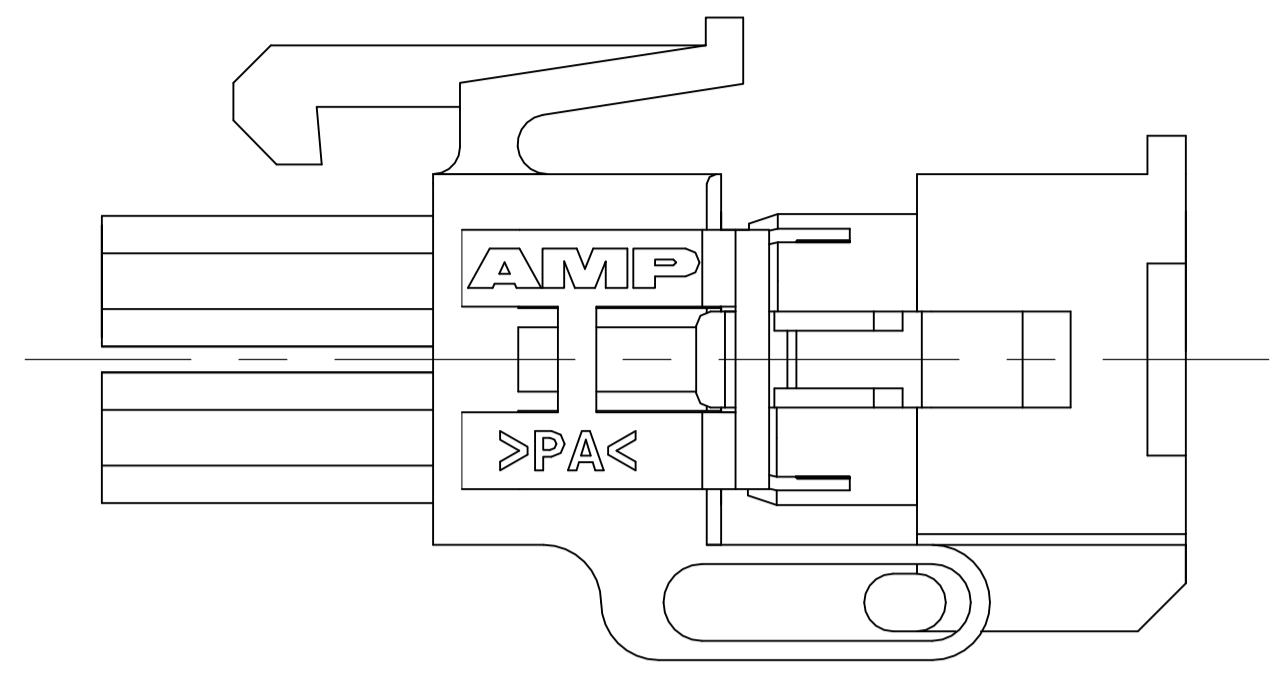
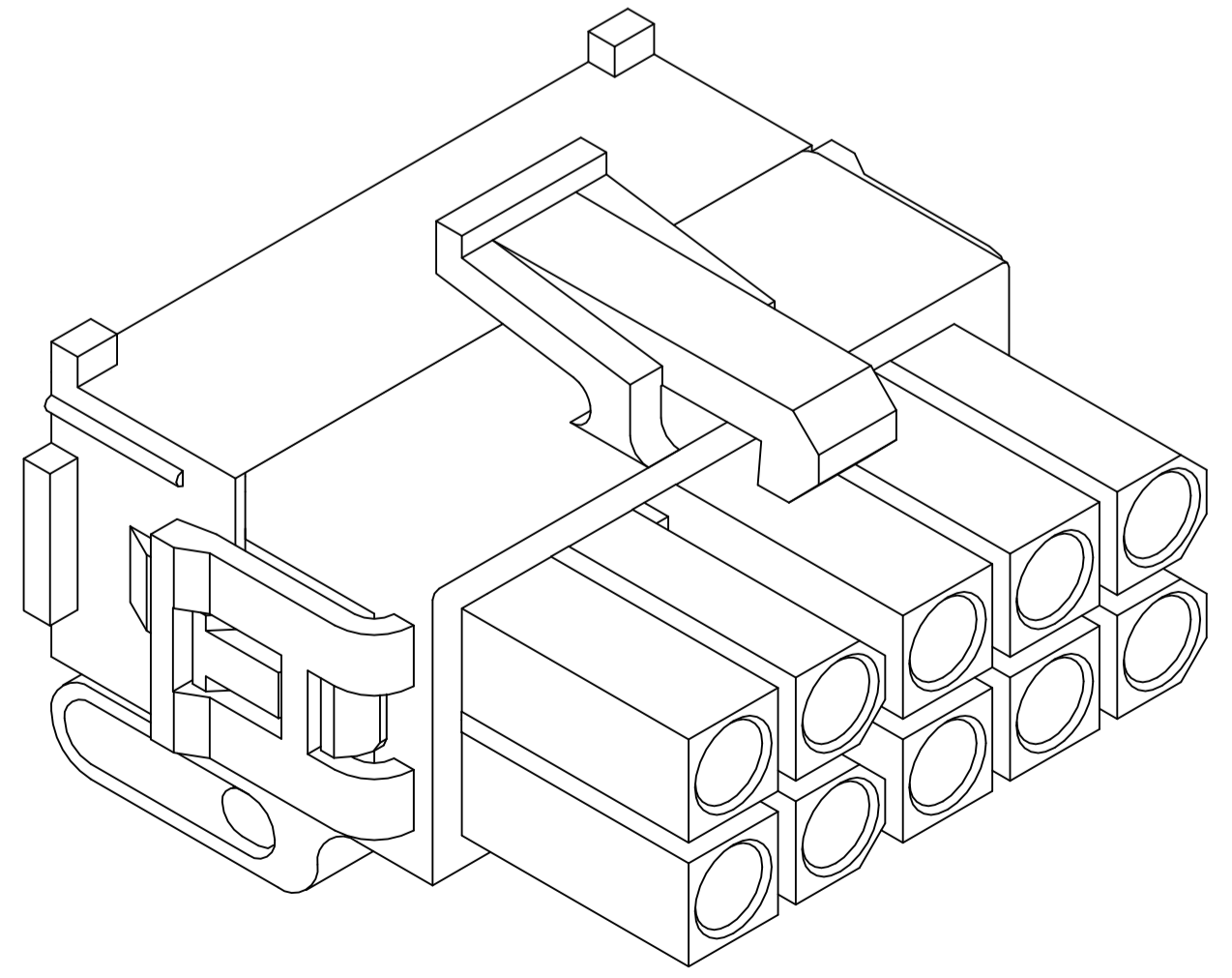
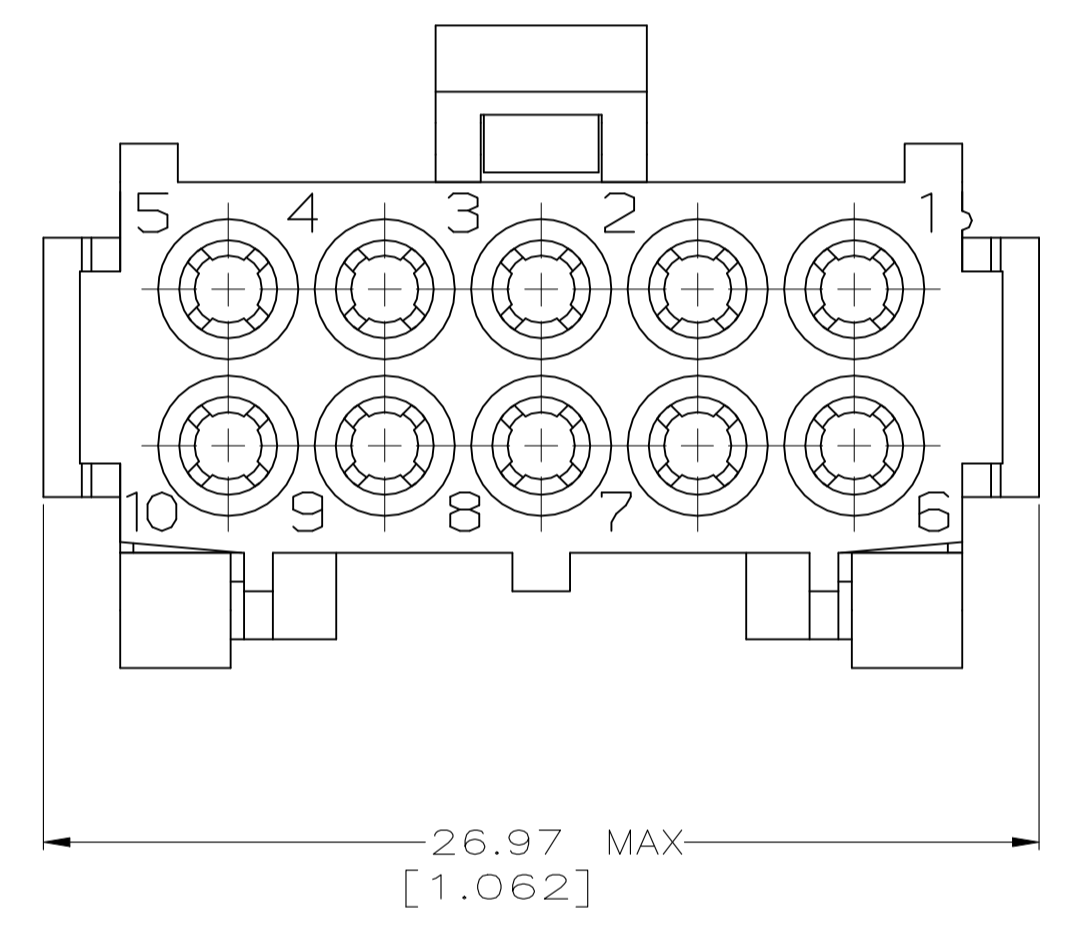
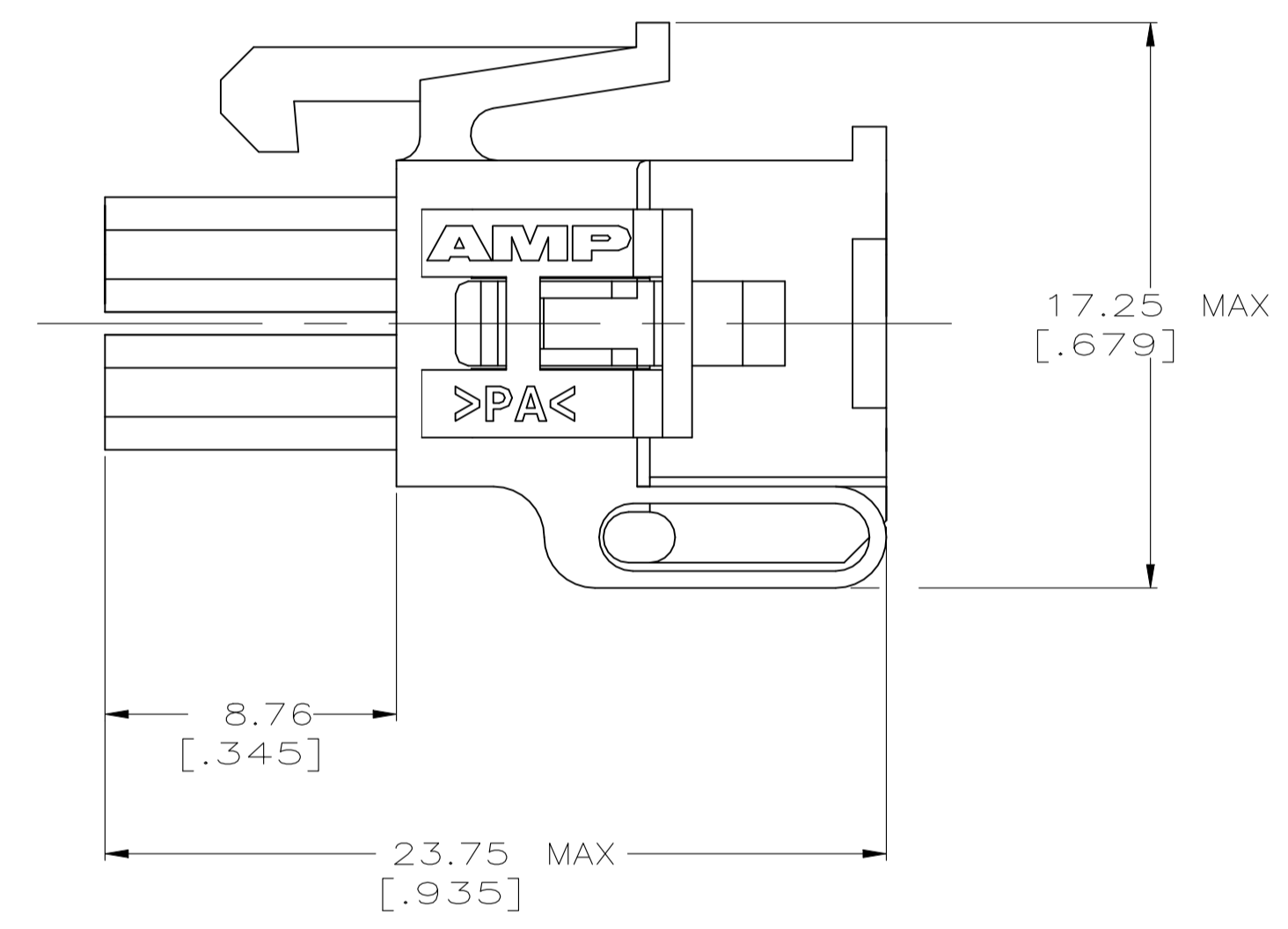
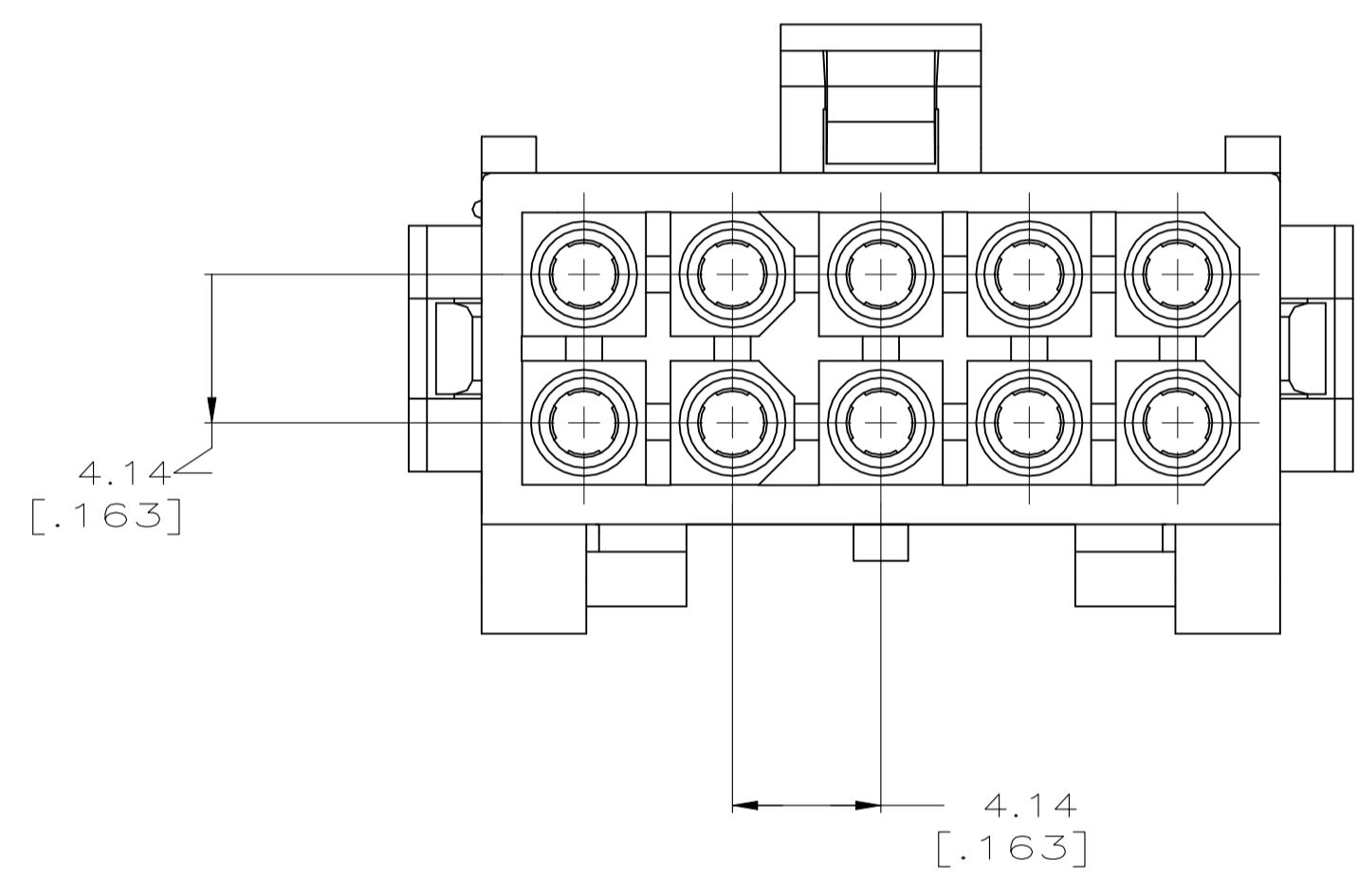


REVISIONS					
REV	DATE	DESCRIPTION	BY	CHK	APP'D
B1	23OCT2023	REVISED PER ECR-23-175974	MV	JP	



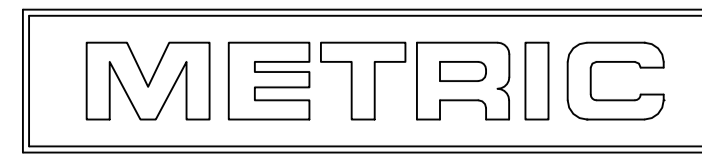
PRE-STAGED CONDITION

1. DIMENSIONS IN BRACKETS ARE IN INCHES.



3-DIMENSIONAL MODEL NTS

OBSOLETE ~~794249-1~~
PART NUMBER



THIS DRAWING IS A CONTROLLED DOCUMENT.		DIN K. WHITAKER 5-14-97	
		CHK R. SWING 5-14-97	
		APP'D R. ORSTAD 5-14-97	NAME PLUG, 10 CIRCUIT, MINI UNIVERSAL MATE-N-LOK 2
DIMENSIONS: mm		TOLERANCES UNLESS OTHERWISE SPECIFIED:	PRODUCT SPEC
		0. PLC ± -	APPLICATION SPEC
		1. PLC ± -	SIZE A1
		2. PLC ± -	CAGE CODE 00779
		3. PLC ± 0.13 [.005]	DRAWING NO 794249
		4. PLC ± -	RESTRICTED TO
		ANGLES ± -	CUSTOMER DRAWING
MATERIAL NYLON, UL 94V-2 NATURAL		FINISH -	SCALE 5:1
		WEIGHT -	SHEET 1 of 1
			REV B1