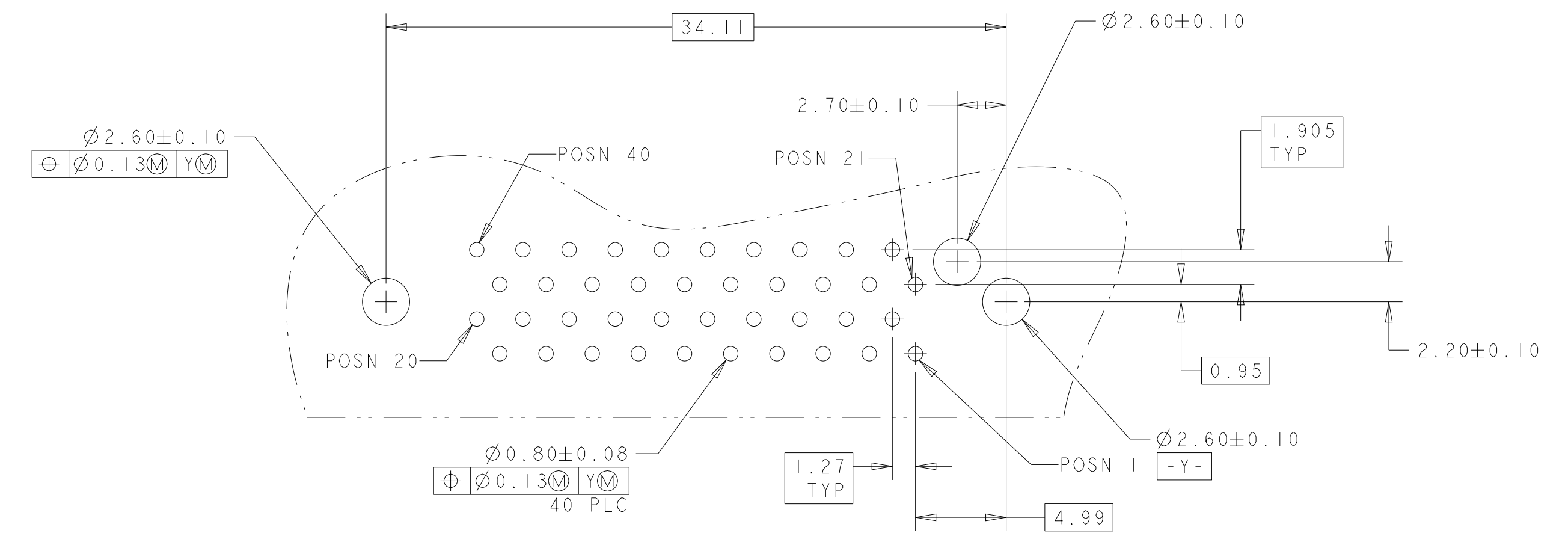
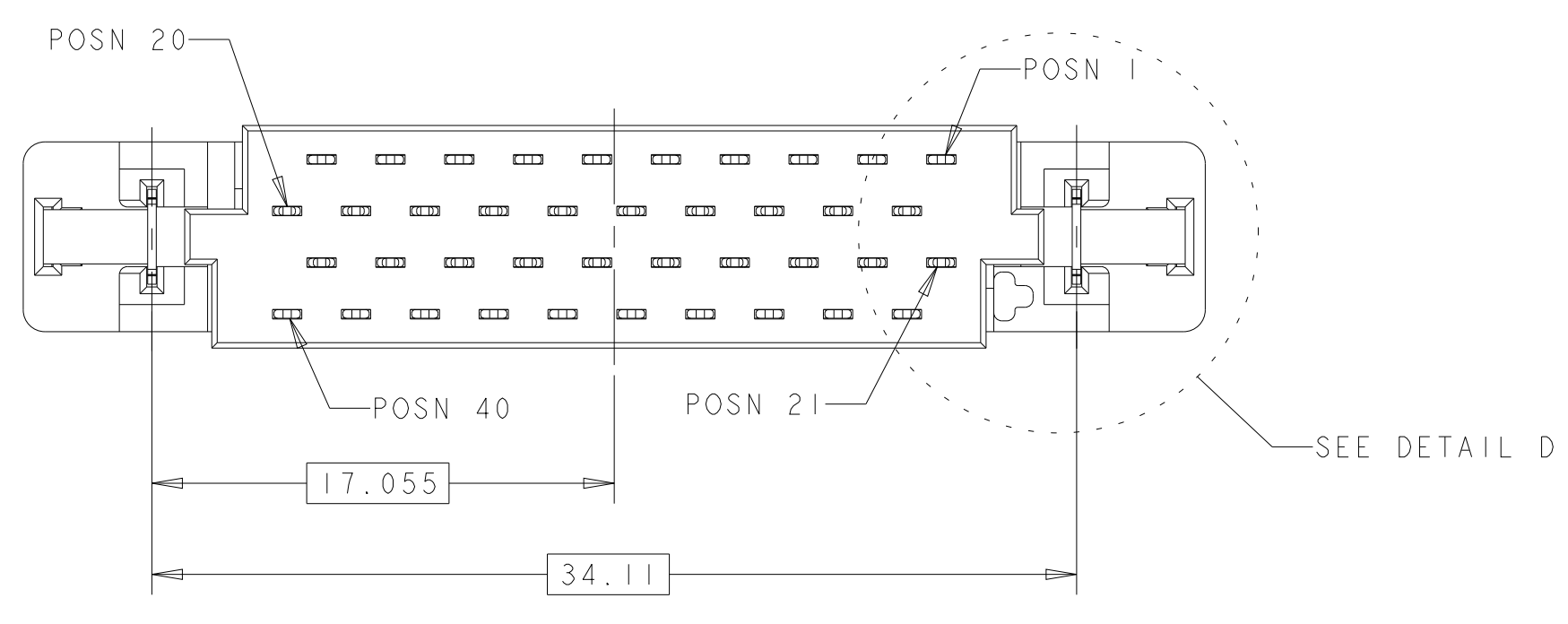
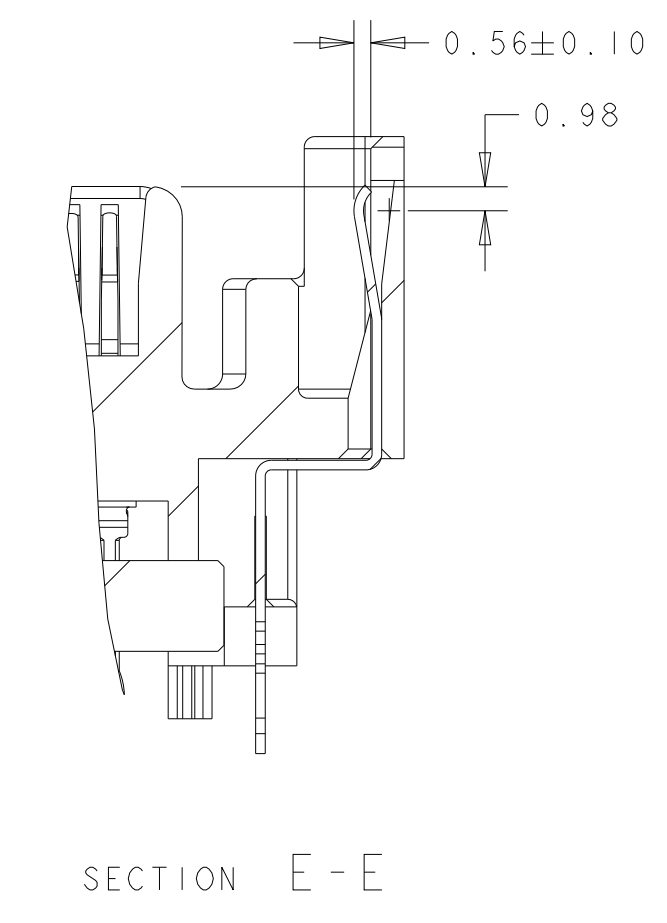
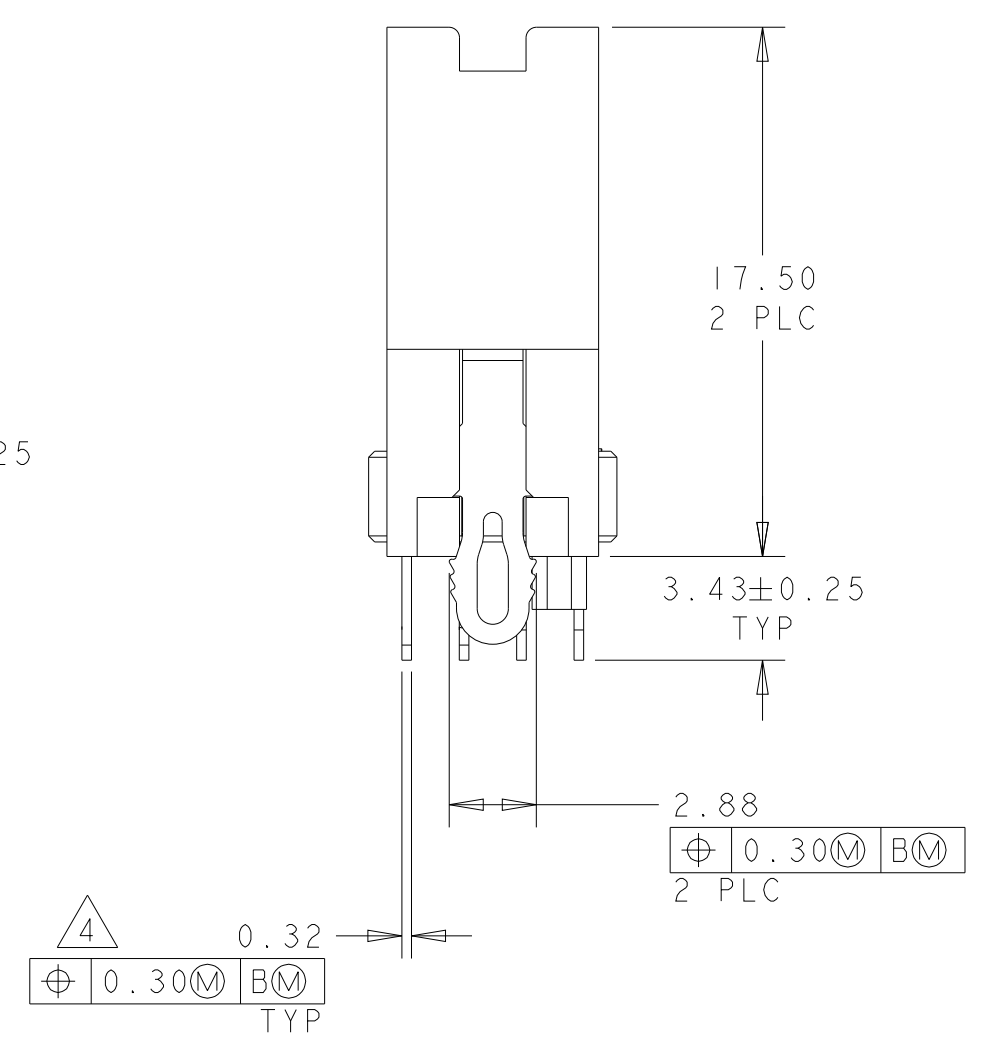
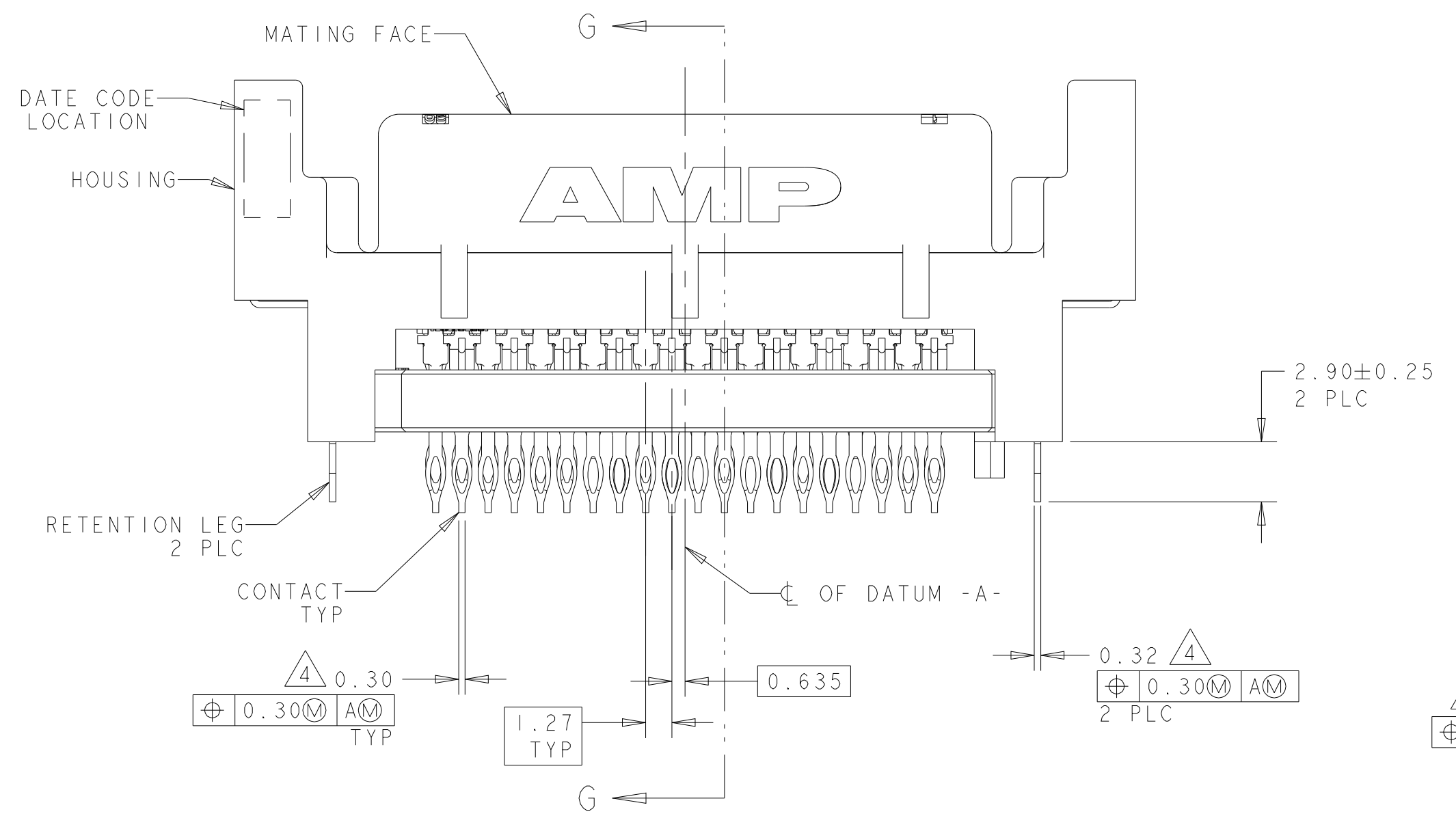
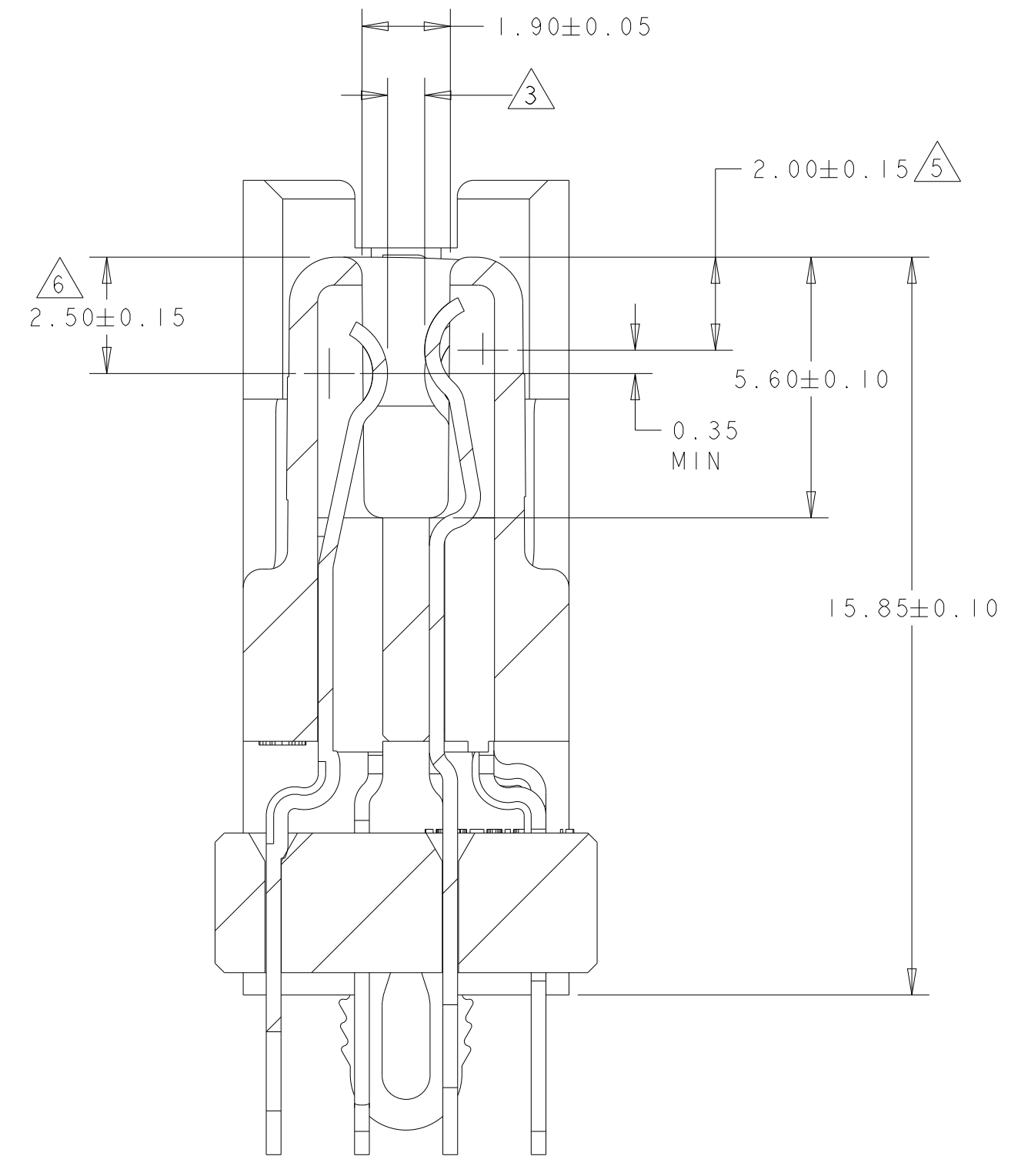
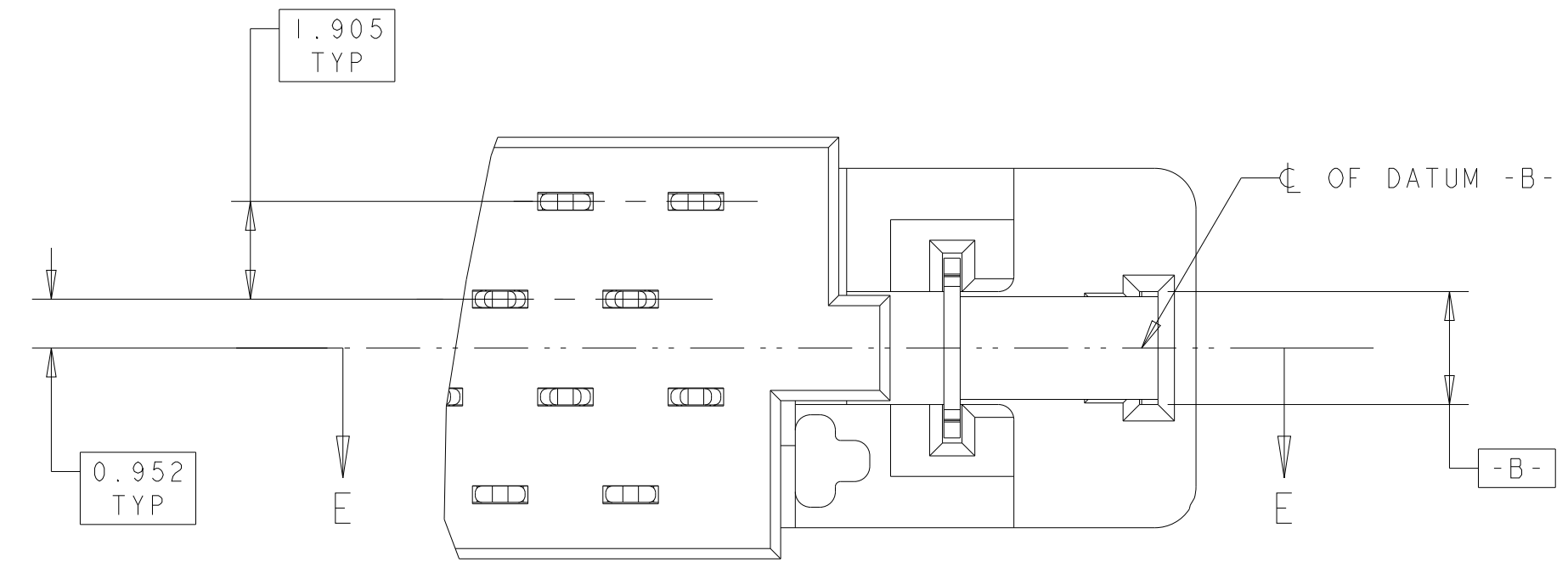
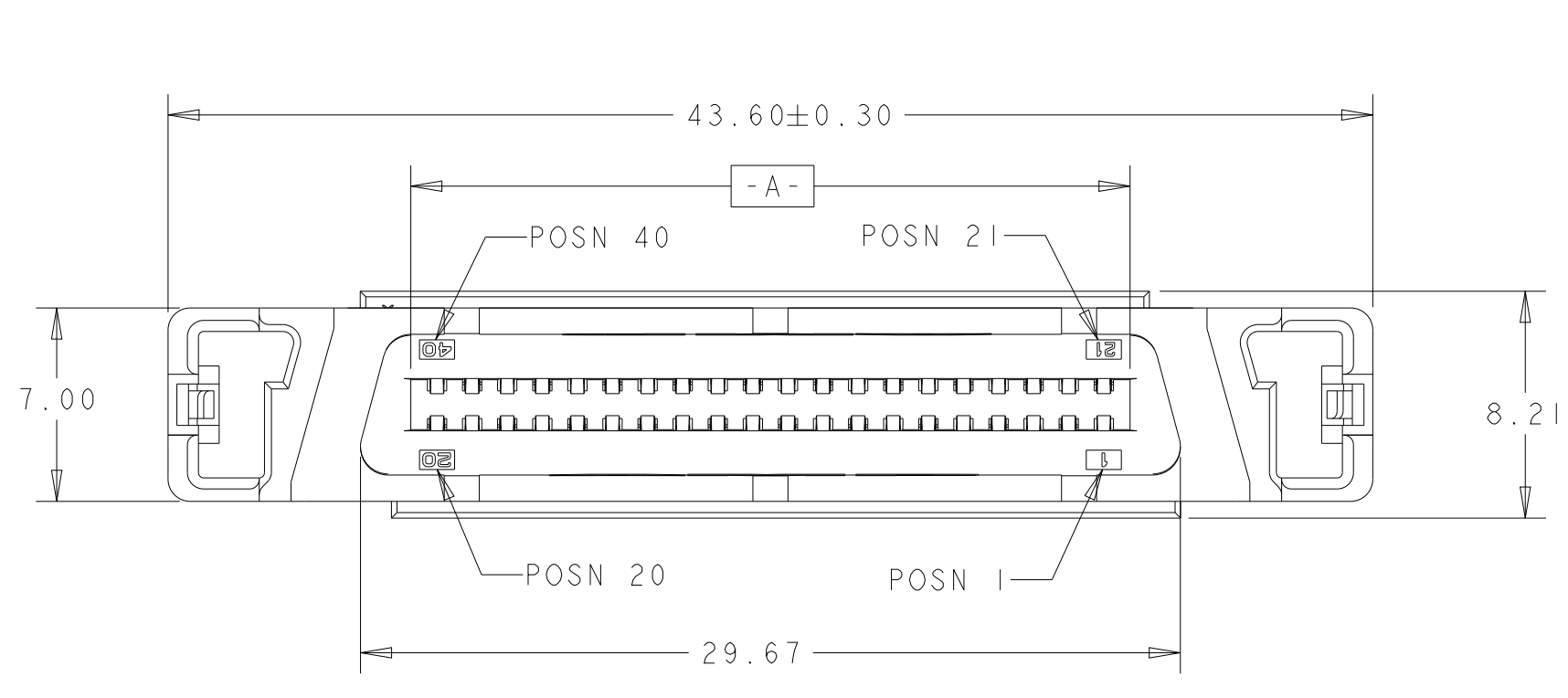


REVISIONS				
P	LTN	DESCRIPTION	DATE	APVD
D3		REVISED PER ECR-24-204204	29MAR2024	SKN PS



- ① HOUSING: LCP, UL 94V-0 RATED, BLACK
CONTACTS: PHOSPHOR BRONZE.
RETENTION LEG: BRASS.
- ② CONTACTS: 0.76µm GOLD FOR A LENGTH OF 1.90 MIN STARTING 0.40 MAX FROM MATING END. 1.27µm-3.81µm TIN-LEAD FOR A LENGTH OF 3.43 MIN FROM OPPOSITE END. BOTH OVER 1.27µm MIN NICKEL.
- ③ CONNECTOR WILL ACCOMMODATE MATING PRINTED CIRCUIT BOARD OF 1.60±0.07 THICKNESS.
- ④ POSITION TOLERANCE APPLIES AT CONTACT TIP ONLY.
- ⑤ DIMENSION APPLIES TO CONTACTS 21,22,23,26,29,32 AND 35 THRU 40 .
- ⑥ DIMENSION APPLIES TO CONTACTS 1 THRU 20, 24,25,27,28,30,31,33 AND 34.
- ⑦ RETENTION LEG: 3.81 µm MIN TIN-LEAD OVER 1.27µm MIN NICKEL.
- ⑧ RECOMMENDED PC BOARD THICKNESS IS 2.36 TO 3.81.
- ⑨ CONTACTS: 0.76µm GOLD FOR A LENGTH OF 1.90 MIN STARTING 0.40 MAX FROM MATING END. 1.27µm-3.81µm TIN FOR A LENGTH OF 3.43 MIN FROM OPPOSITE END. BOTH OVER 1.27µm MIN NICKEL.
- ⑩ RETENTION LEG: 3.81 µm MIN TIN OVER 1.27µm MIN NICKEL.

⑧ RECOMMENDED PC BOARD MOUNTING DIMENSIONS COMPONENT SIDE SCALE 4:1

YES	⑨ ⑩	788389-2
NO	② ③	788389-1
LEAD FREE	FINISH	PART NUMBER

THIS DRAWING IS A CONTROLLED DOCUMENT.

DIMENSIONS:	TOLERANCES UNLESS OTHERWISE SPECIFIED:	OWN J RUDY 19MAY98	NAME
mm	0 PLC ±	CHK D DEIBRAUGH 19MAY98	RECEPTACLE ASSEMBLY, PRESS FIT, EXTENDED HEIGHT, VERTICAL, 40 POSN, SERIES 1, CHAMP BLINDMATE
	1 PLC ±0.13	APVD	PRODUCT SPEC
	2 PLC ±		APPLICATION SPEC
	3 PLC ±		SIZE CAGE CODE DRAWING NO
	4 PLC ±		RESTRICTED TO
	ANGLES ±		A 100779C=788389
	FINISH		SCALE 4-1 SHEET 1 OF 1 REV D3
MATERIAL	SEE TABLE	WEIGHT	CUSTOMER DRAWING