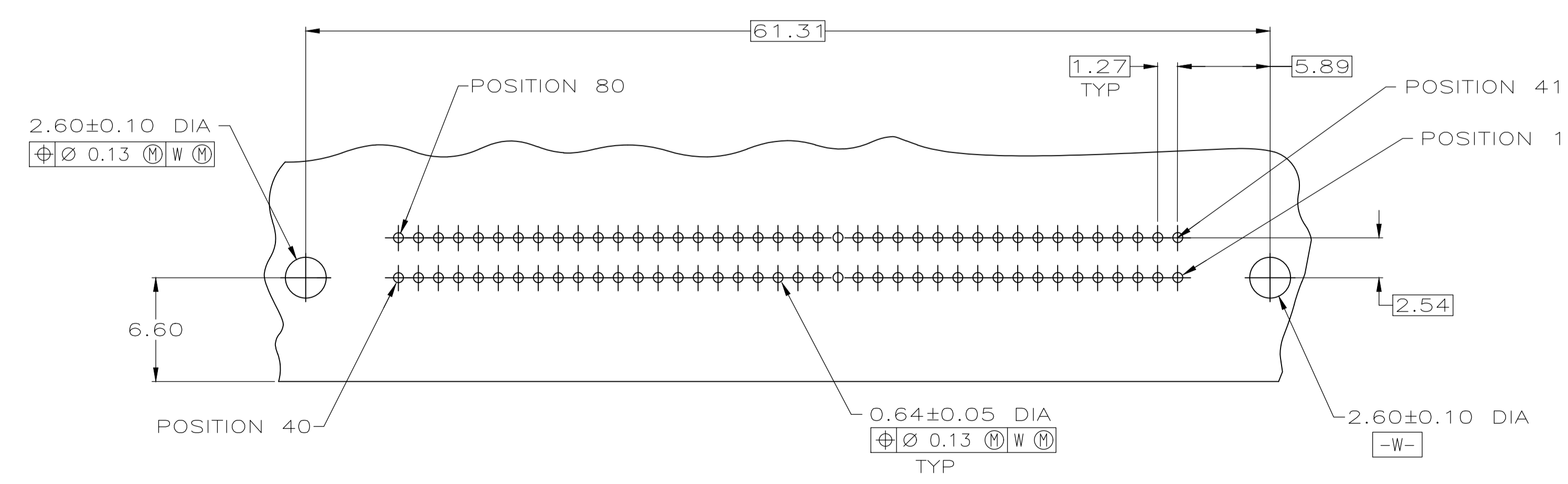
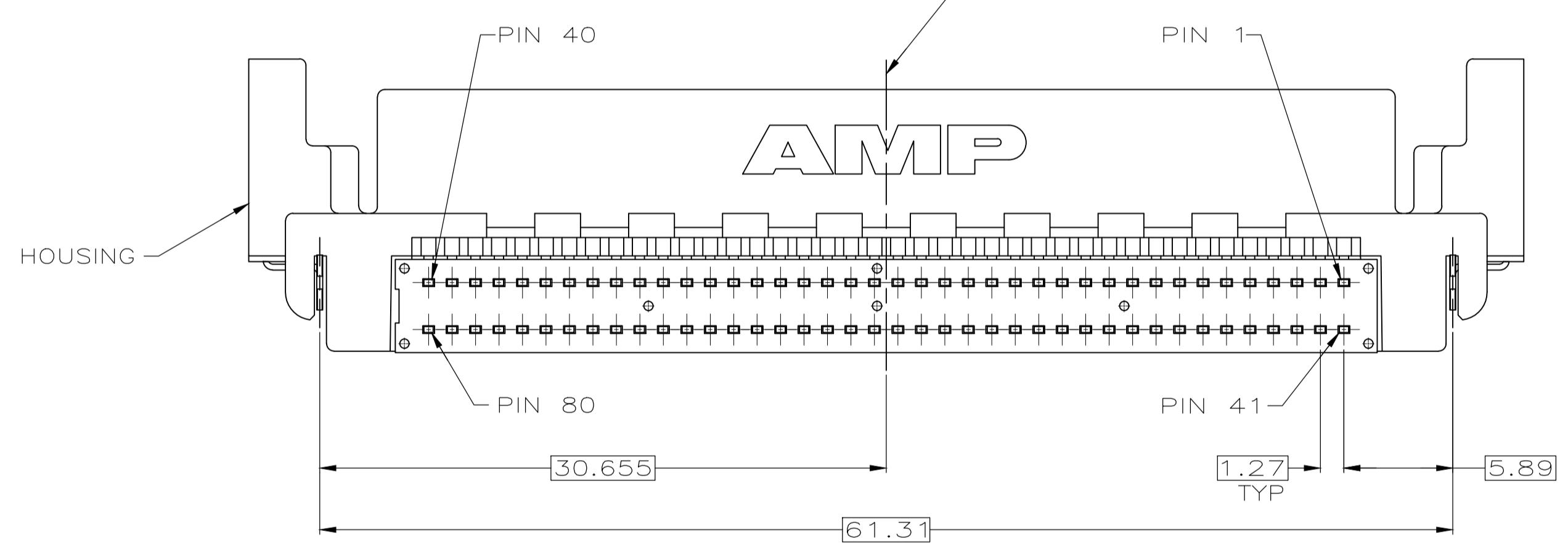
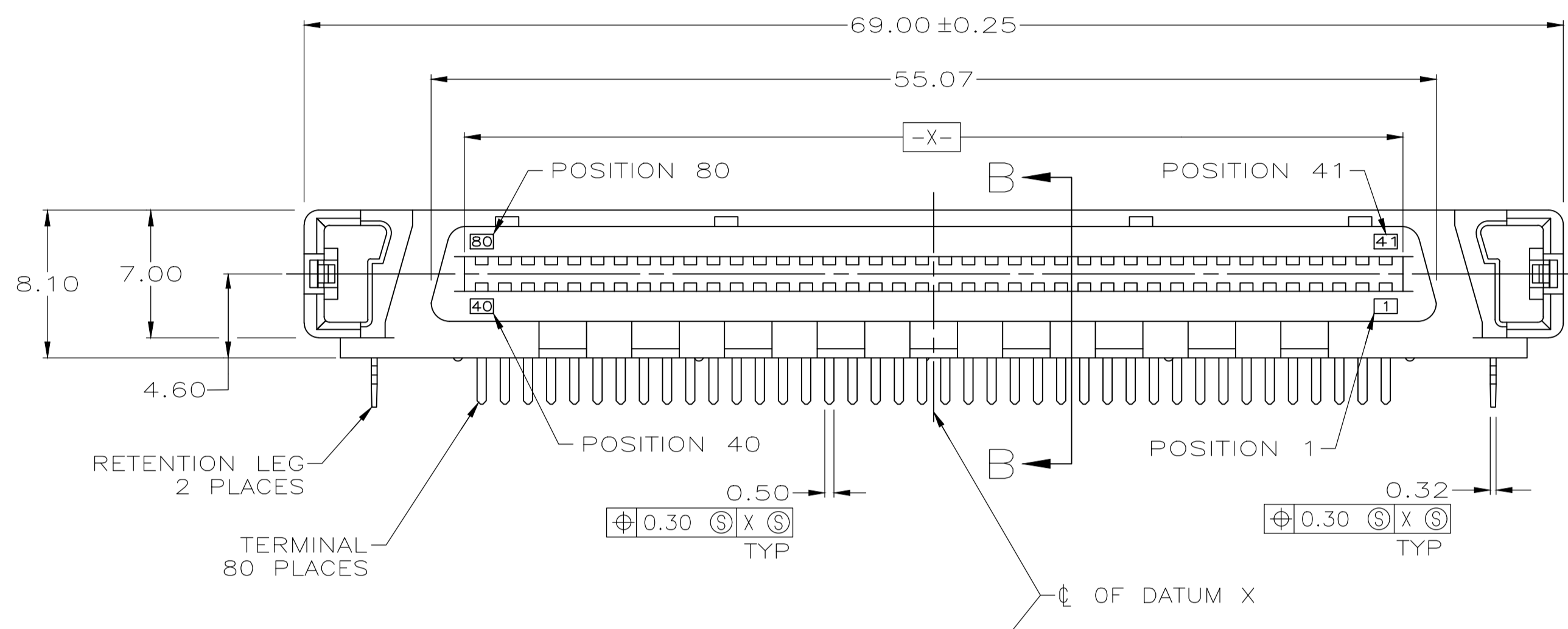
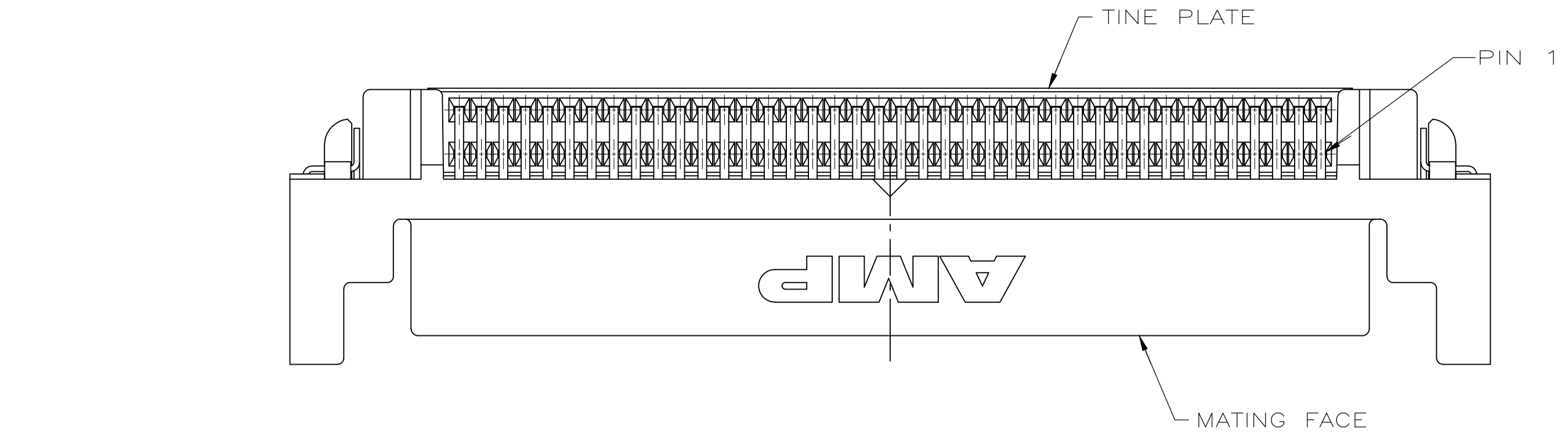
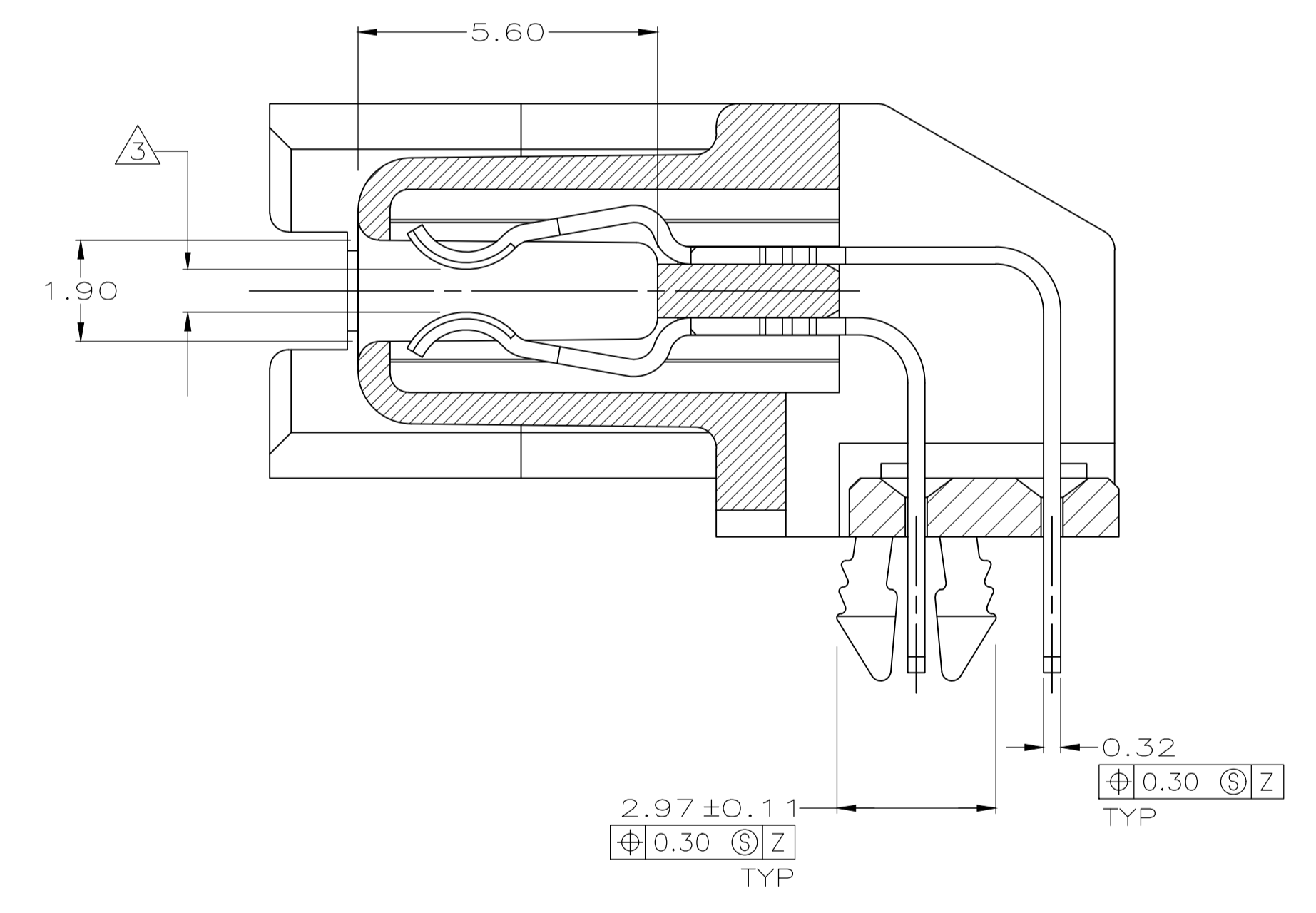
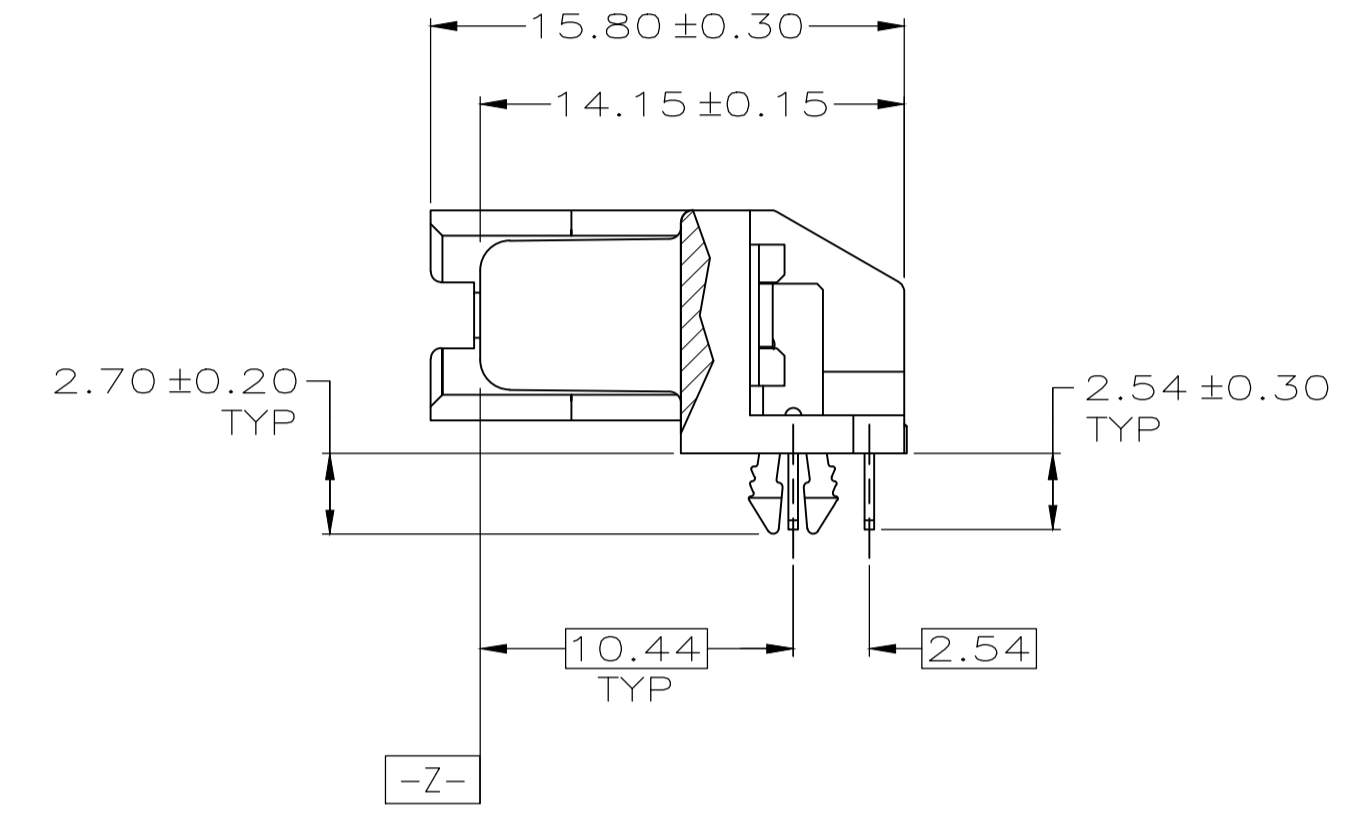


REVISIONS				
#	DATE	DESCRIPTION	DATE	APPROV
H	16APR13	REVISED PER ECO-19-004724		SH SH



RECOMMENDED PC BOARD MOUNTING DIMENSIONS COMPONENT SIDE

- △ HOUSING: LCP, UL 94V-0 RATED, BLACK.
- TINE PLATE: SPS, UL 94V-0 RATED, BLACK.
- TERMINALS: PHOSPHOR BRONZE.
- RETENTION LEGS: BRASS.
- △ TERMINALS: 0.38μm MIN GOLD FOR A LENGTH 1.20 MIN STARTING 0.50 MAX FROM MATING END, 3.81μm MIN TIN-LEAD FOR A LENGTH OF 3.40 MIN FROM OPPOSITE END, BOTH OVER 1.27μm MIN NICKEL.
- RETENTION LEGS: 3.81μm MIN TIN-LEAD OVER 1.27μm MIN NICKEL.
- △ CONNECTOR WILL ACCOMMODATE MATING PRINTED CIRCUIT BOARD OF 1.60±0.07.
- △ TERMINALS: 0.38μm MIN GOLD FOR A LENGTH 1.20 MIN STARTING 0.50 MAX FROM MATING END, 3.81μm MIN TIN FOR A LENGTH OF 3.40 MIN FROM OPPOSITE END, BOTH OVER 1.27μm MIN NICKEL.
- RETENTION LEGS: 3.81μm MIN TIN OVER 1.27μm MIN NICKEL.



SECTION B-B
SCALE 10:1

OBsolete	YES	△ 4	80	787915-2
OBsolete	NO	△ 2	80	787915-1
LEAD FREE	FINISH	NO OF POSN	PART NUMBER	

THIS DRAWING IS A CONTROLLED DOCUMENT.		DWN S. MCMASTER 29MAR04	TE Connectivity	
DIMENSIONS: mm		CHK S. SHUJY 29MAR04	RECEPTACLE ASSY, R/A,BTB .050, SERIES I, CHAMP BLINDMATE	
TOLERANCES UNLESS OTHERWISE SPECIFIED:		APPR M. WALMSLEY 29MAR04	108-1548-2	
0 PLC	± -	SIZE CAGE CODE DRAWING NO RESTRICTED TO		
1 PLC	± -	WEIGHT 0.000000 A1 00779 C-787915		
2 PLC	± 0.10	CUSTOMER DRAWING SCALE 4:1 SHEET 1 OF 1 REV H		
3 PLC	± -			
4 PLC	± -			
ANGLES	± -			
MATERIAL	FINISH			
△	SEE TABLE			