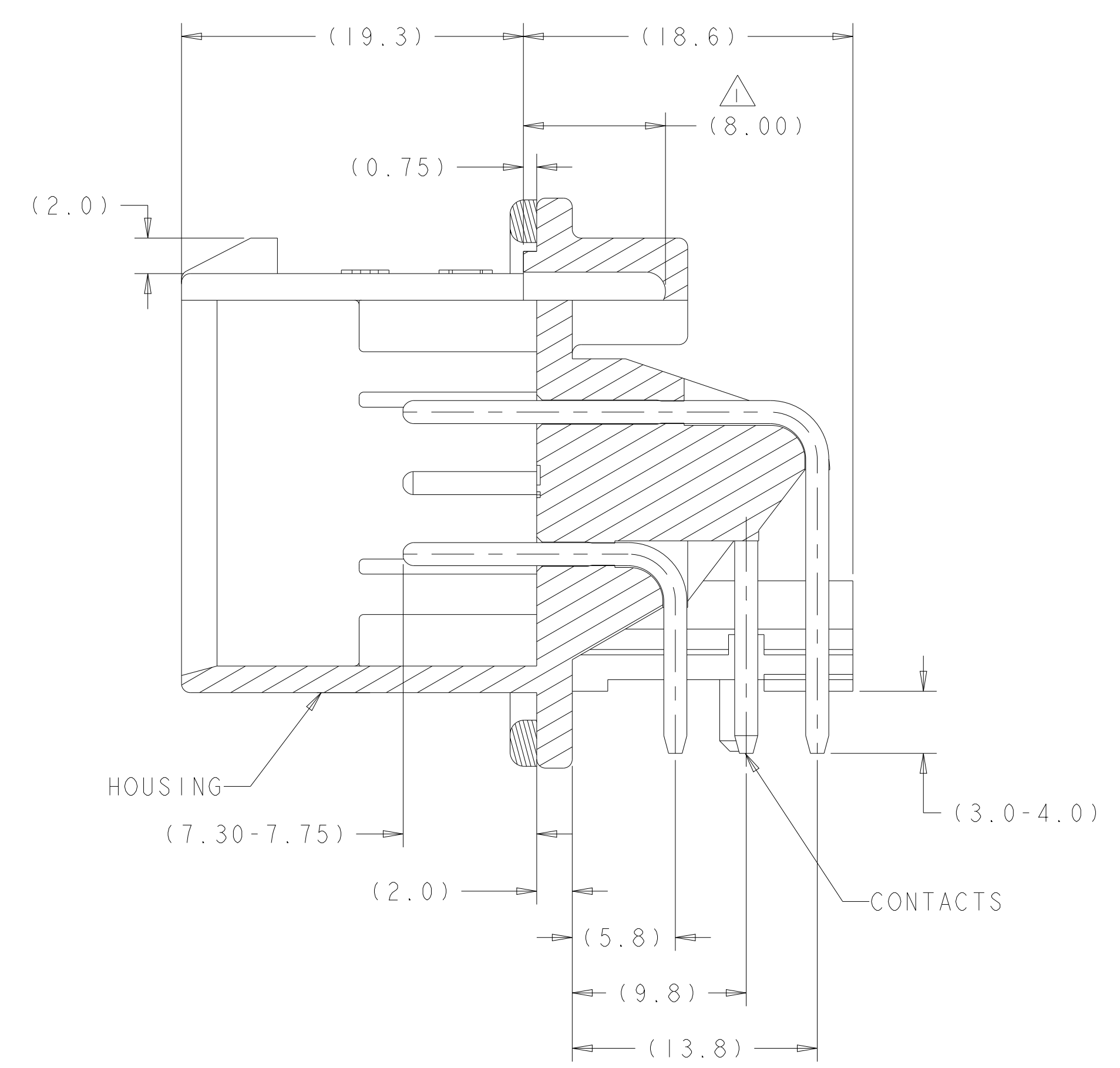
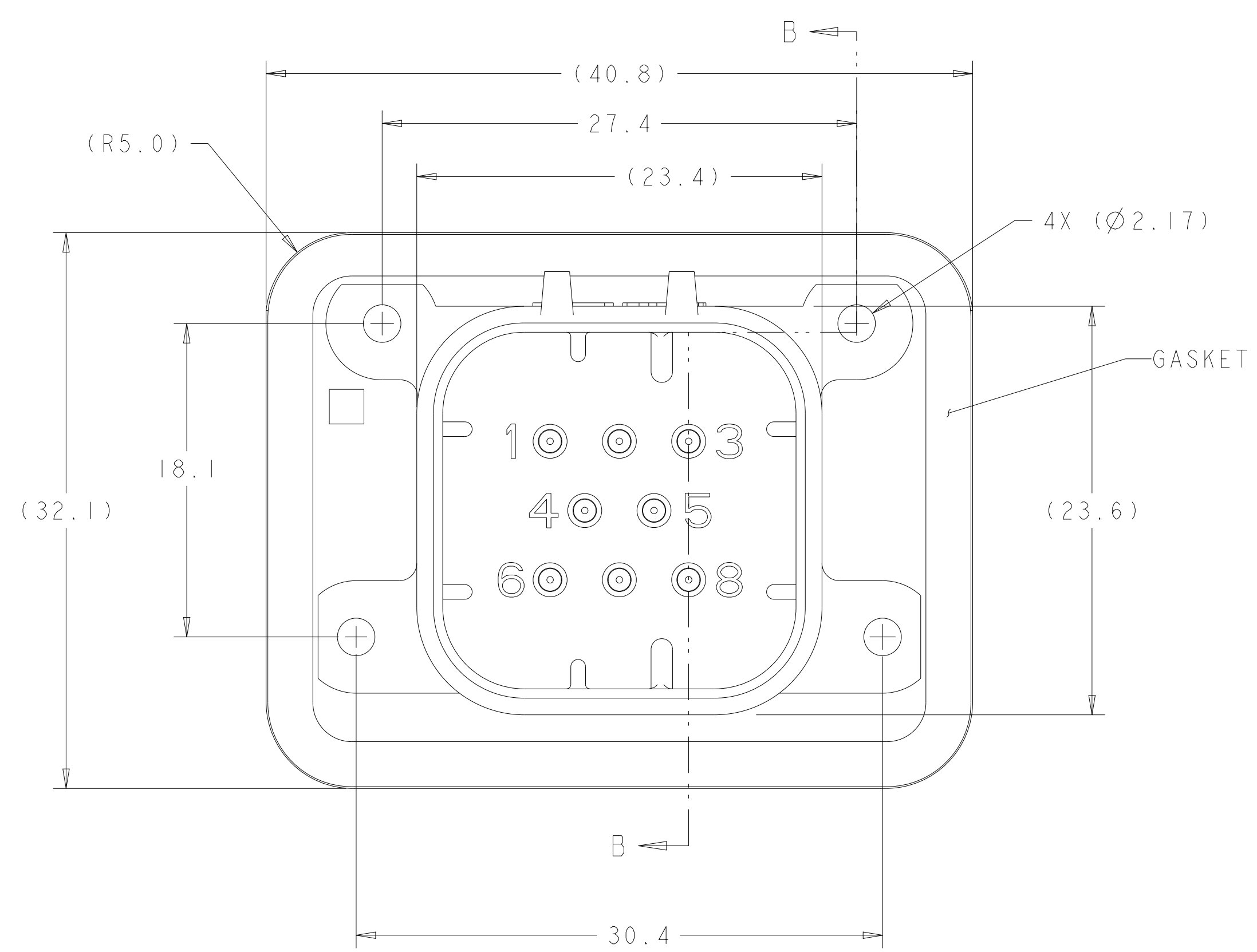
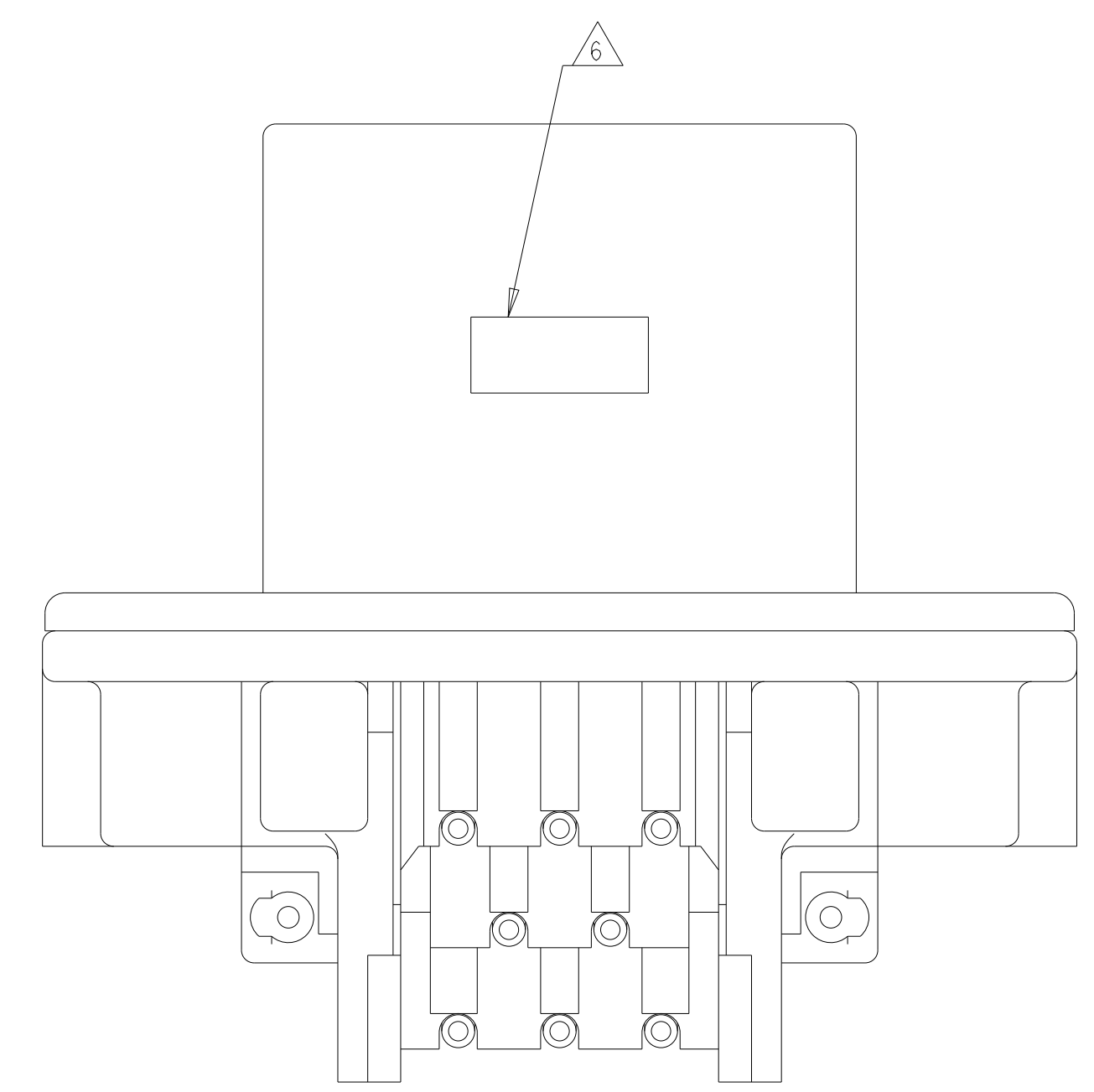


| REVISIONS |     |               |            |         |
|-----------|-----|---------------|------------|---------|
| P         | LTN | DESCRIPTION   | DATE       | APVD    |
|           | F13 | ECR-23-183142 | 14SEPT2023 | DCS DCS |
|           |     |               |            |         |
|           |     |               |            |         |



SECTION B-B

- △ SUGGESTED MOUNTING SCREW SIZE IS Ø2.50-3.00mm [Ø0.099 - 0.118 INCH] SELF TAPPING THREAD FORMING SCREW, SUCH AS DELTA PT, TO BE DRIVEN AT 0.6-0.8 N-m THE CUSTOMER SHOULD TEST THE SCREW SIZE AND TYPE IN ORDER TO VERIFY THEIR SELECTION FOR THEIR APPLICATION
- △ HOUSING COLORS ARE MECHANICALLY KEYPED TO MATE ONLY WITH IDENTICALLY COLORED PLUG ASSEMBLIES.
- △ NOTE DELETED
- 4. HEADER MATES TO PLUG ASSEMBLY 776286 WHICH USES REELED TERMINALS 770520 AND LOOSE PIECE TERMINALS 770854.
- △ MATERIALS: GASKET - SILICONE  
 HEADER HOUSING - GLASS FILLED PBT  
 PINS - TIN OR GOLD PLATED BRASS
- △ DATE CODE TO BE BRANDED IN THIS LOCATION PER TE SPEC 102-60. USE 5 DIGIT CODE: FIRST 2 DIGITS = YEAR, SECOND 2 DIGITS = WEEK, LAST DIGIT = DAY

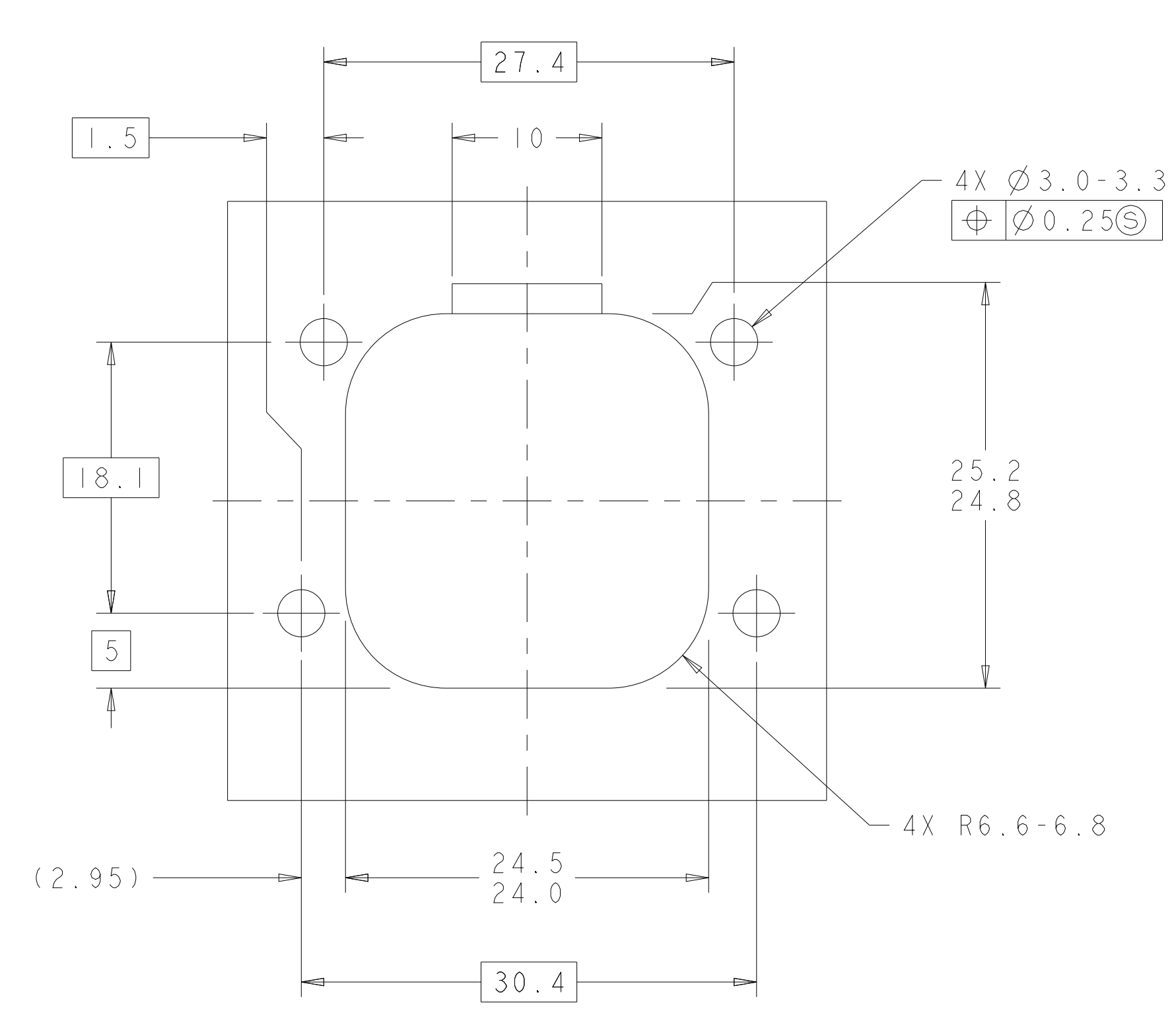


|                      |             |             |
|----------------------|-------------|-------------|
| NATURAL              | GOLD PLATED | 1-776280-2  |
| BLACK                | GOLD PLATED | 1-776280-1  |
| OBSOLETE             |             | 776280-6    |
| NATURAL              | TIN PLATED  | 776280-2    |
| BLACK                | TIN PLATED  | 776280-1    |
| HEADER HOUSING COLOR | PIN         | PART NUMBER |

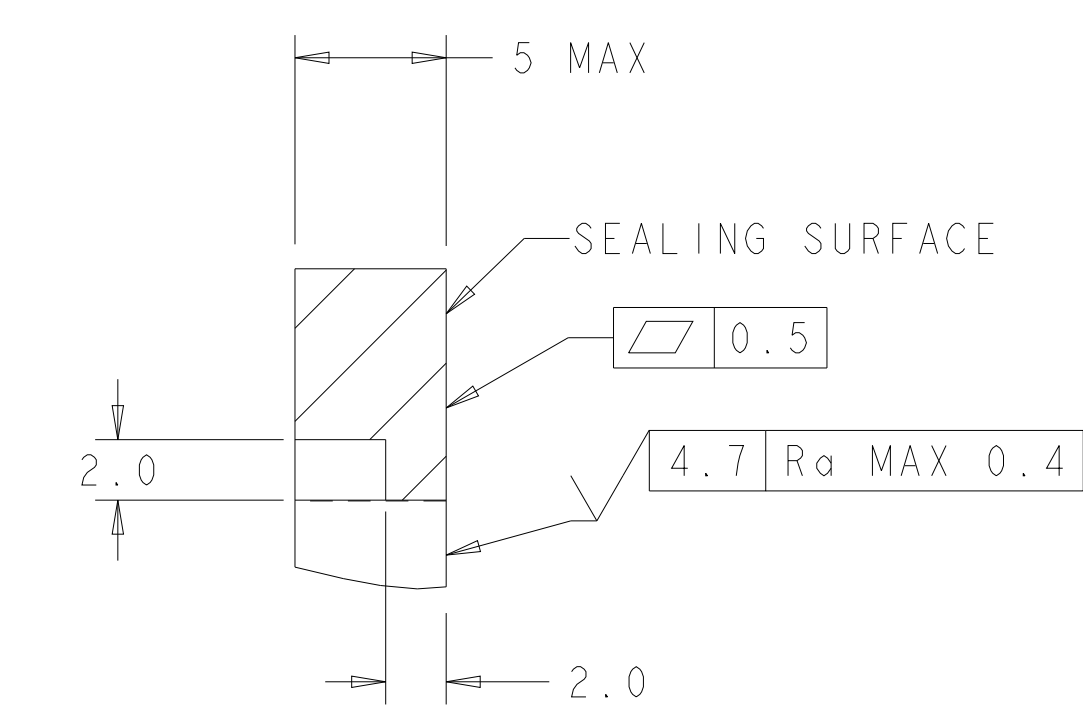
THIS DRAWING IS A CONTROLLED DOCUMENT.

|             |  |                        |   |
|-------------|--|------------------------|---|
| DIMENSIONS: | TOLERANCES UNLESS OTHERWISE SPECIFIED: | OWN J. MARKEY 29FEB08  | TE Connectivity<br>NAME: HEADER ASSEMBLY, 8 POSITION, RIGHT ANGLE, AMPSEAL<br>PRODUCT SPEC: 108-1329<br>APPLICATION SPEC: 114-16016<br>SIZE: CAGE CODE DRAWING NO. RESTRICTED TO: A100779C=776280 |
| mm          | 0 PLC ±0.2                             | CHK J. MARKEY 29FEB08  |   |
|             | 2 PLC ±                                | APVD J. MARKEY 29FEB08 |   |
|             | 4 PLC ±                                |                        |   |
| MATERIAL    | ANGLES ±                               | WEIGHT 15.82g          | CUSTOMER DRAWING  |
|             | FINISH                                 | SCALE 4:1              | SHEET 1 OF 2 REV F13  |

| REVISIONS |      |             |      |       |
|-----------|------|-------------|------|-------|
| P.        | LTN. | DESCRIPTION | DATE | APVD. |
| -         | -    | SEE SHEET 1 | -    | -     |
|           |      |             |      |       |
|           |      |             |      |       |

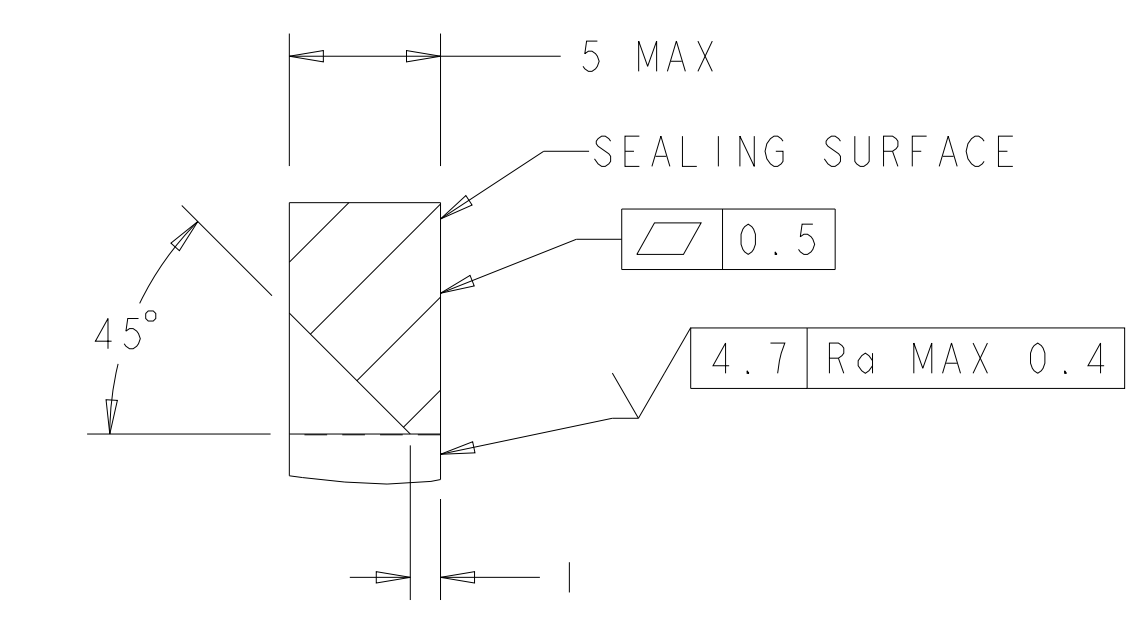


RECOMMENDED MOUNTING HOLE LAYOUT FOR 5.0 MAX THICK PANEL



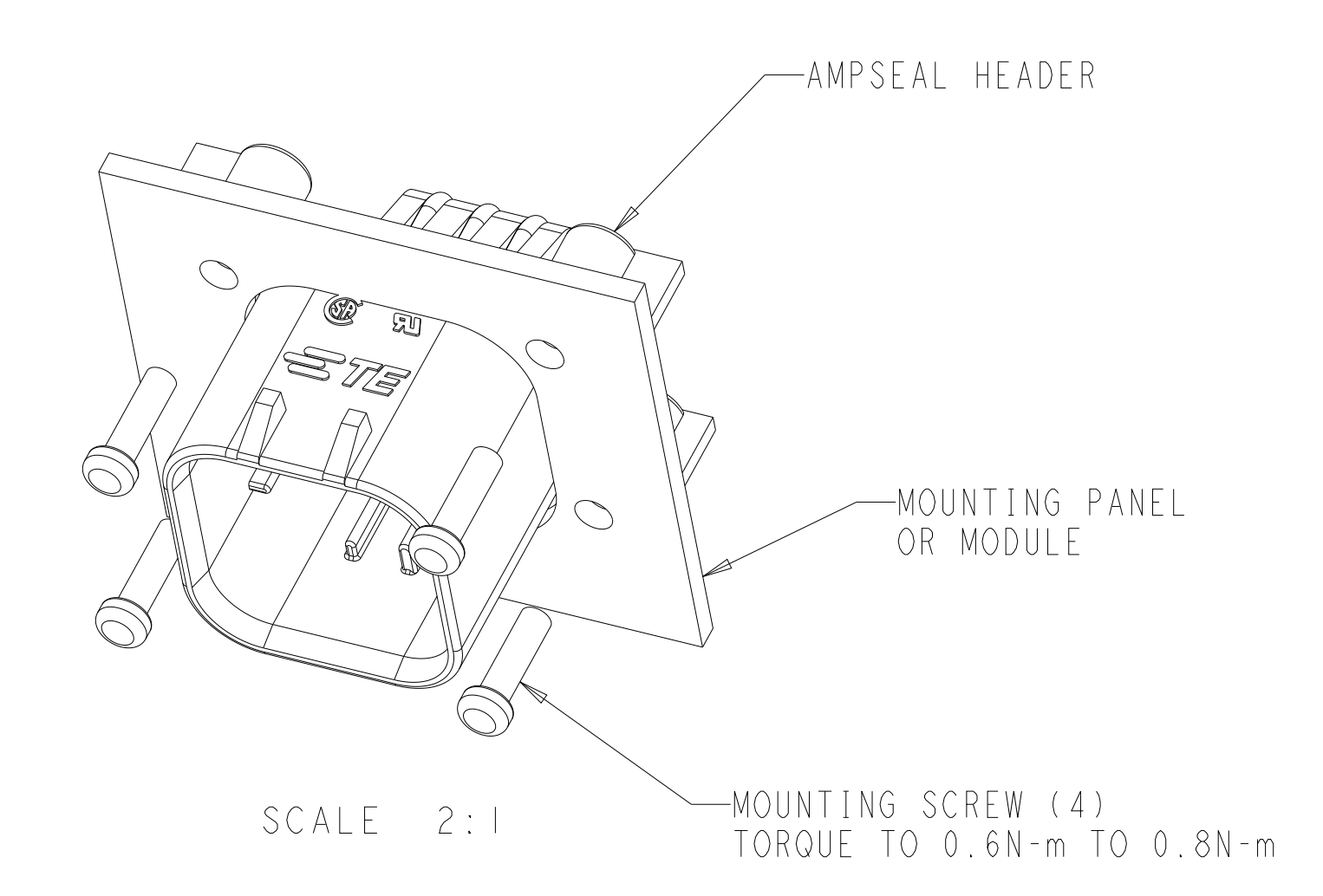
SECTION A-A  
OPTIONAL CONSTRUCTION IF PANEL THICKNESS IS GREATER THAN 2.0

SCALE 4:1



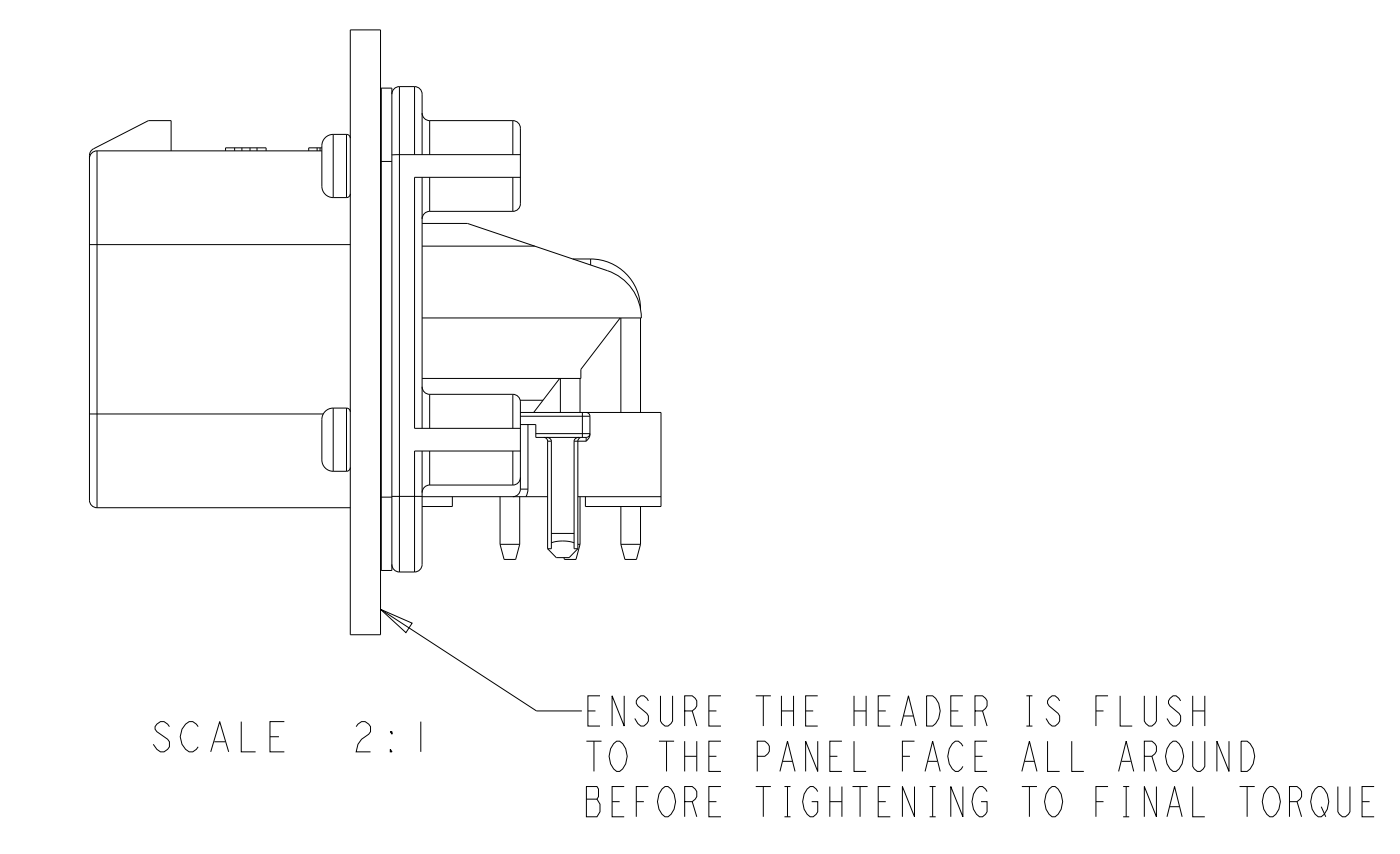
SECTION A-A  
OPTIONAL CONSTRUCTION IF PANEL THICKNESS IS GREATER THAN 2.0

SCALE 4:1

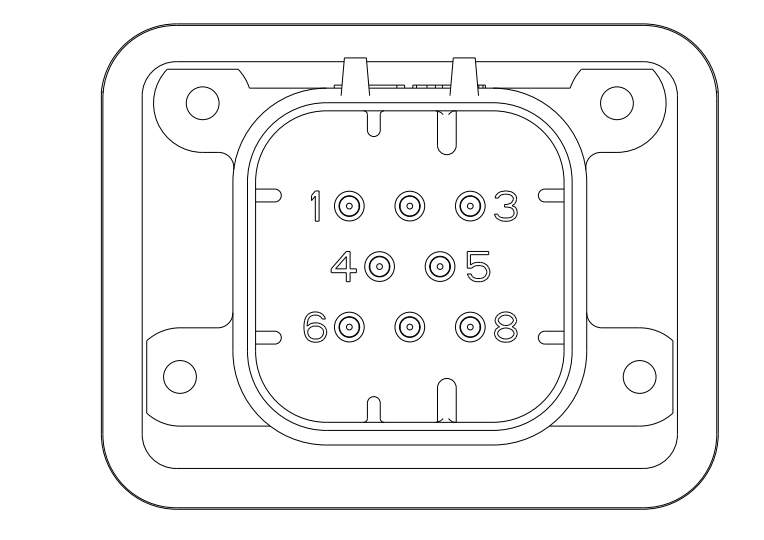


SCALE 2:1

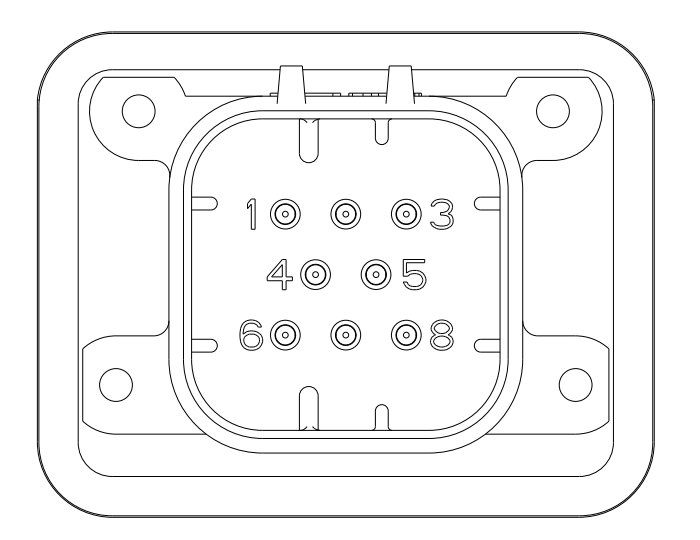
MOUNTING SCREW (4)  
TORQUE TO 0.6N-m TO 0.8N-m



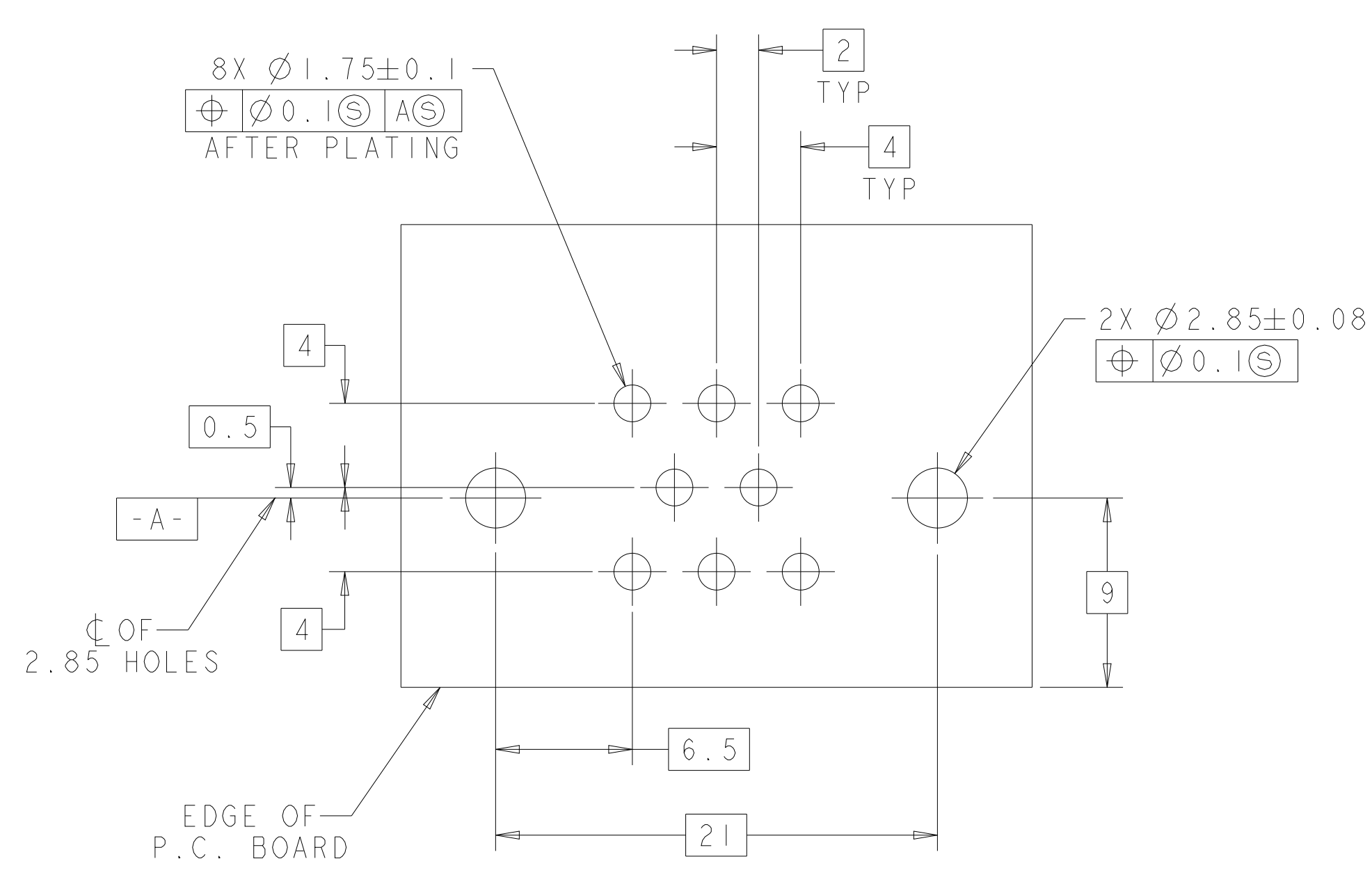
SCALE 2:1



776280-1 & 1-776280-1  
KEY LOCATION  
SCALE 2:1



776280-2 & 1-776280-2  
KEY LOCATION  
SCALE 2:1



RECOMMENDED P.C. BOARD LAYOUT FOR 1.57 THICK P.C. BOARD

|  |  |                                  |                        |   |  |
|--|--|----------------------------------|------------------------|---|--|
| THIS DRAWING IS A CONTROLLED DOCUMENT. |  | OWN: J. MARKEY 29FEB08           |                        | TE Connectivity   |  |
| DIMENSIONS: mm                         |  | CHK: J. MARKEY 29FEB08           |                        | NAME: HEADER ASSEMBLY, 8 POSITION, RIGHT ANGLE, AMPSEAL |  |
| TOLERANCES UNLESS OTHERWISE SPECIFIED: |  | APVD: J. MARKEY 29FEB08          | PRODUCT SPEC: 108-1329 |   |  |
| 0 PLC ±0.2                             |  | APPLICATION SPEC: 114-16016      |                        |   |  |
| 1 PLC ±                                |  | SIZE: 114-16016                  |                        |   |  |
| 2 PLC ±                                |  | WEIGHT: 15.82g                   |                        |   |  |
| 3 PLC ±                                |  | MATERIAL: A100779C=776280        |                        |   |  |
| 4 PLC ±                                |  | CUSTOMER DRAWING                 |                        |   |  |
| ANGLES FINISH                          |  | SCALE: 4:1 SHEET 2 OF 2 REV: F13 |                        |   |  |