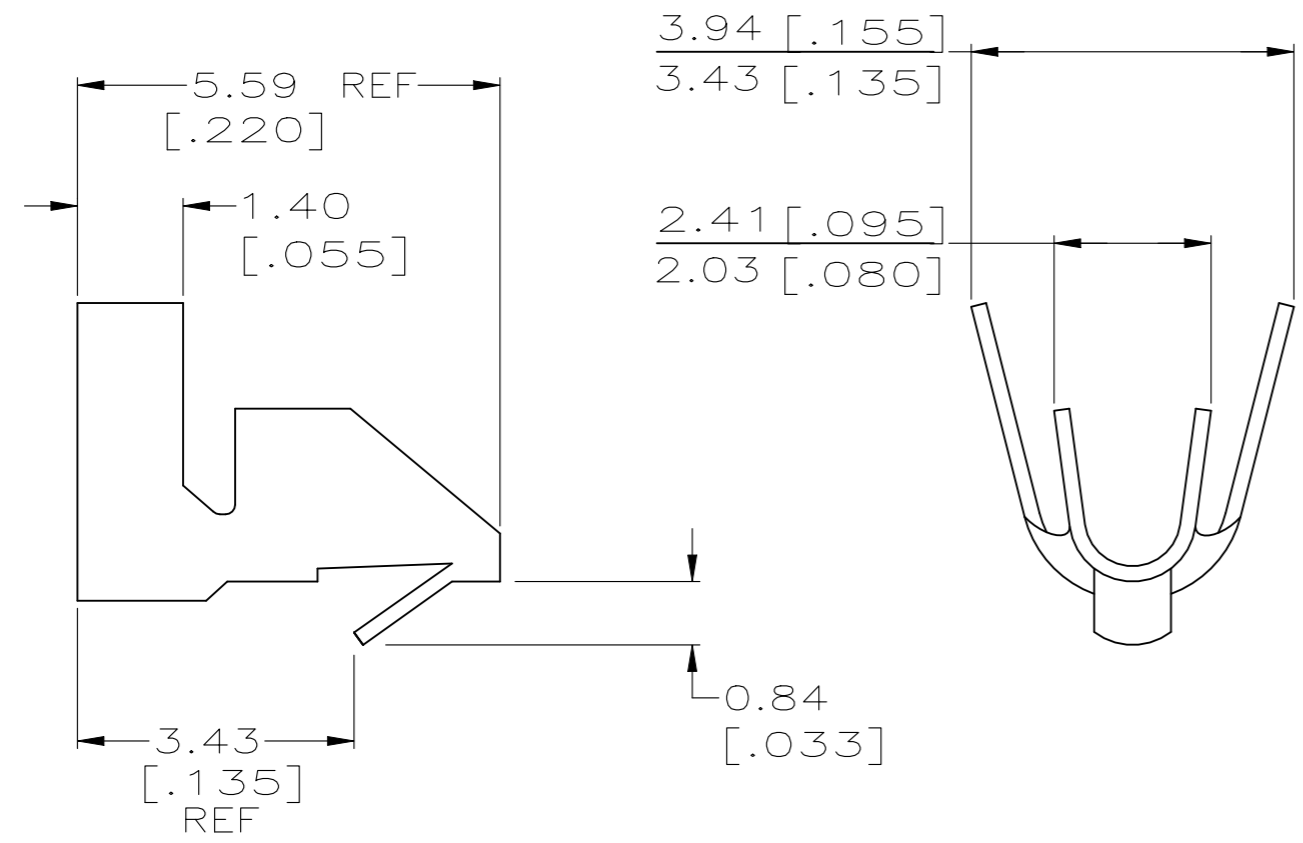
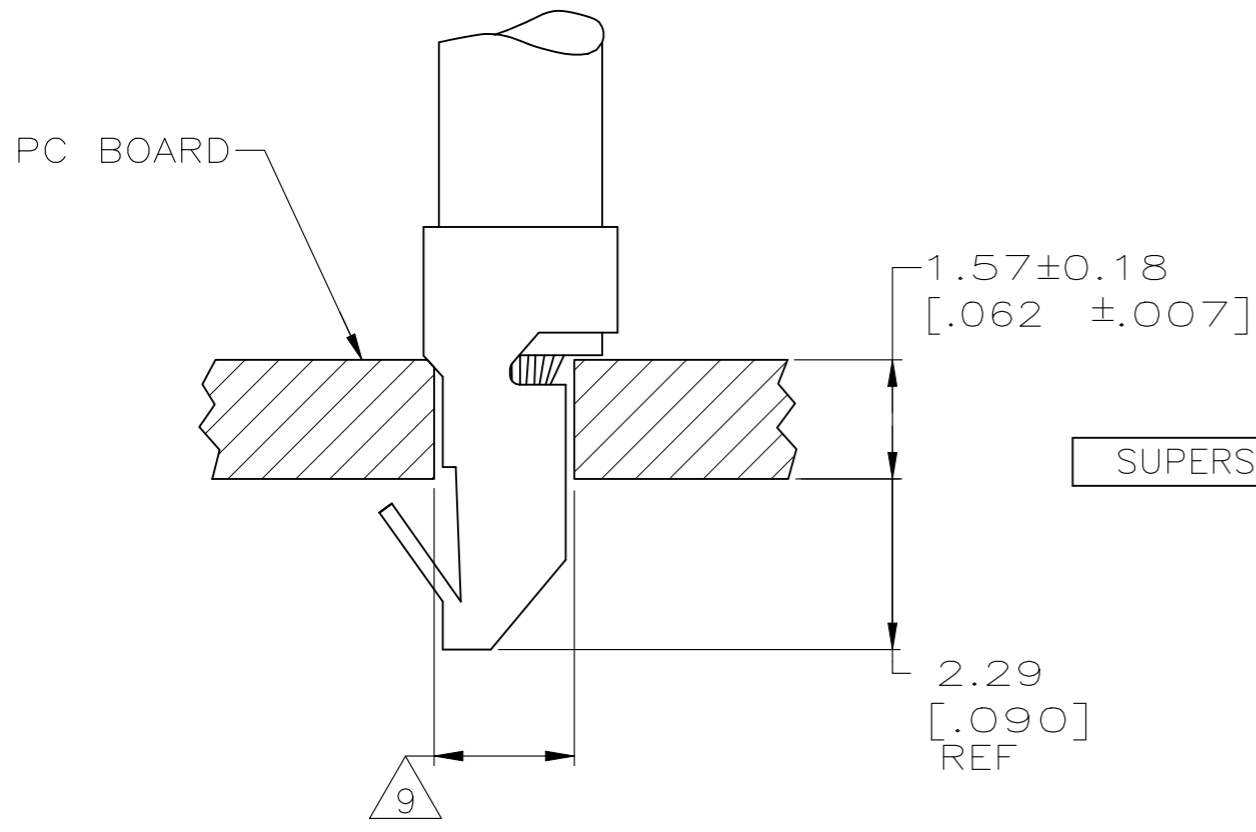


THIS DRAWING IS UNPUBLISHED. RELEASED FOR PUBLICATION
 © COPYRIGHT - By - ALL RIGHTS RESERVED.

REVISIONS				
P	LTR	DESCRIPTION	DATE	APVD
	H8	REVISED PER ECR-23-172454	15MAY2023	SK JP



- PARTS COMPLY WITH AMP SOLDERABILITY SPEC 109-11-3.
- WIRE RANGE: 0.3 - 0.9 mm² (22 - 18 AWG).
- INSULATION RANGE: 1.52 - 2.79 [.060 - .110] DIA.
- 0.00254 [.000100] MIN BRIGHT TIN-LEAD OVER 0.00203 [.000080] MIN MATTE COPPER.
- 0.00508 [.000200] MIN BRIGHT TIN-LEAD.
- DIMENSIONS IN BRACKETS ARE IN INCHES.
- FOR FOREIGN PRODUCTION ONLY.
- 4µm [.00016] MIN BRIGHT TIN, PRE PLATED.
- HOLE DIAMETER TO BE 1.83±0.08 FOR WIRE 0.3-0.6mm² (20-22 AWG) OR 1.96±0.08 FOR WIRE 0.8-0.9mm² (18 AWG).



FINISH	MATERIAL	PART NUMBER
8	0.20[.008] PHOS BRONZE	3-770565-2
8	0.20[.008] BRASS	3-770565-1
4 7	0.20[.008] BRASS	770565-3
8	0.20[.008] PHOS BRONZE	770565-2
4	0.20[.008] BRASS	770565-1

SUPERSEDED BY 3-770565-2
OBSOLETE

THIS DRAWING IS A CONTROLLED DOCUMENT.		DWN B. LEWIS 12-20-89	TE Connectivity MINI AMP-IN -				
DIMENSIONS: mm [INCHES]		CHK R. SWING 12-21-89					
TOLERANCES UNLESS OTHERWISE SPECIFIED:		APVD W. LONG 12-21-89					
0 PLC ± - 1 PLC ± - 2 PLC ± - 3 PLC ± 0.13[.005] 4 PLC ± - ANGLES ± -		NAME					
MATERIAL SEE TABLE	FINISH SEE TABLE	PRODUCT SPEC -	APPLICATION SPEC -	SIZE A3	CAGE CODE 00779	DRAWING NO C-770565	RESTRICTED TO -
CUSTOMER DRAWING		WEIGHT 0.053 gram	SCALE 10:1		SHEET 1 OF 1	REV H8	