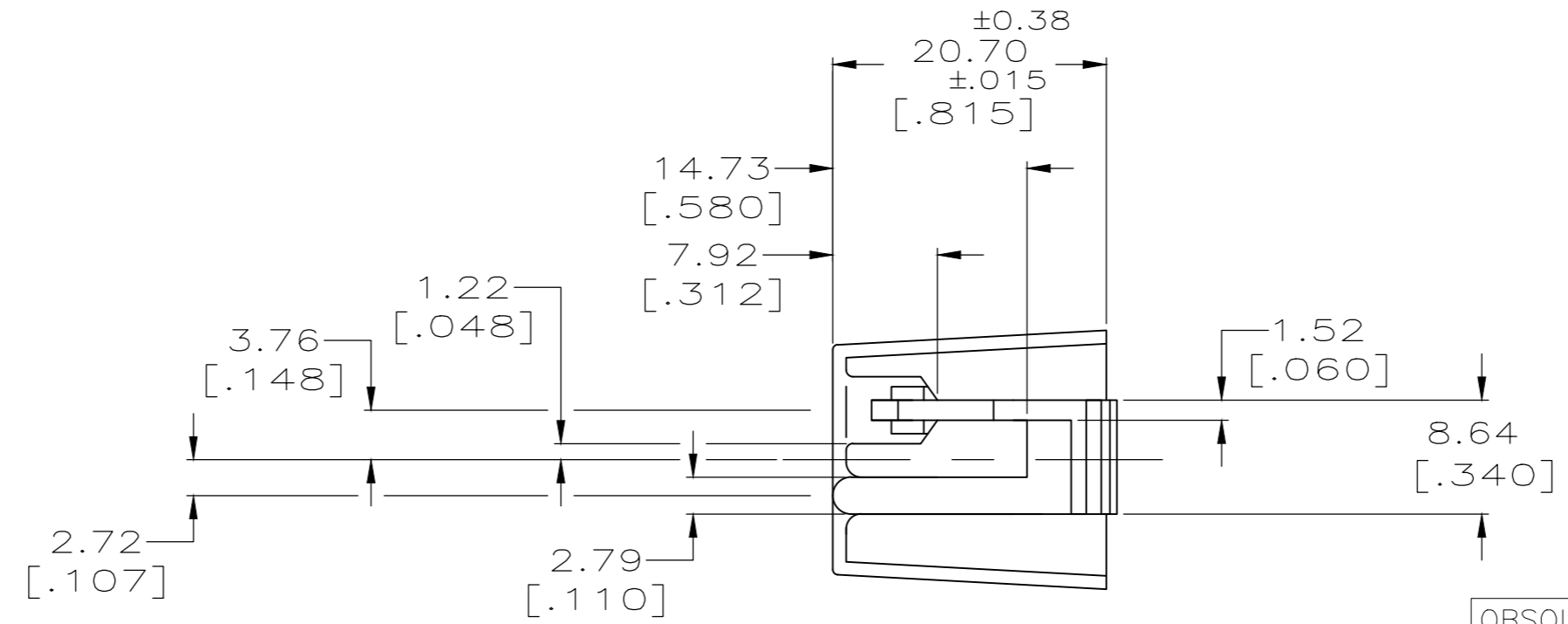
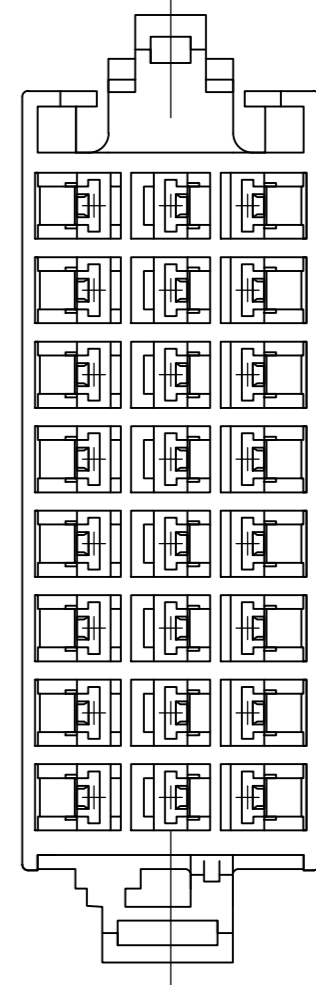
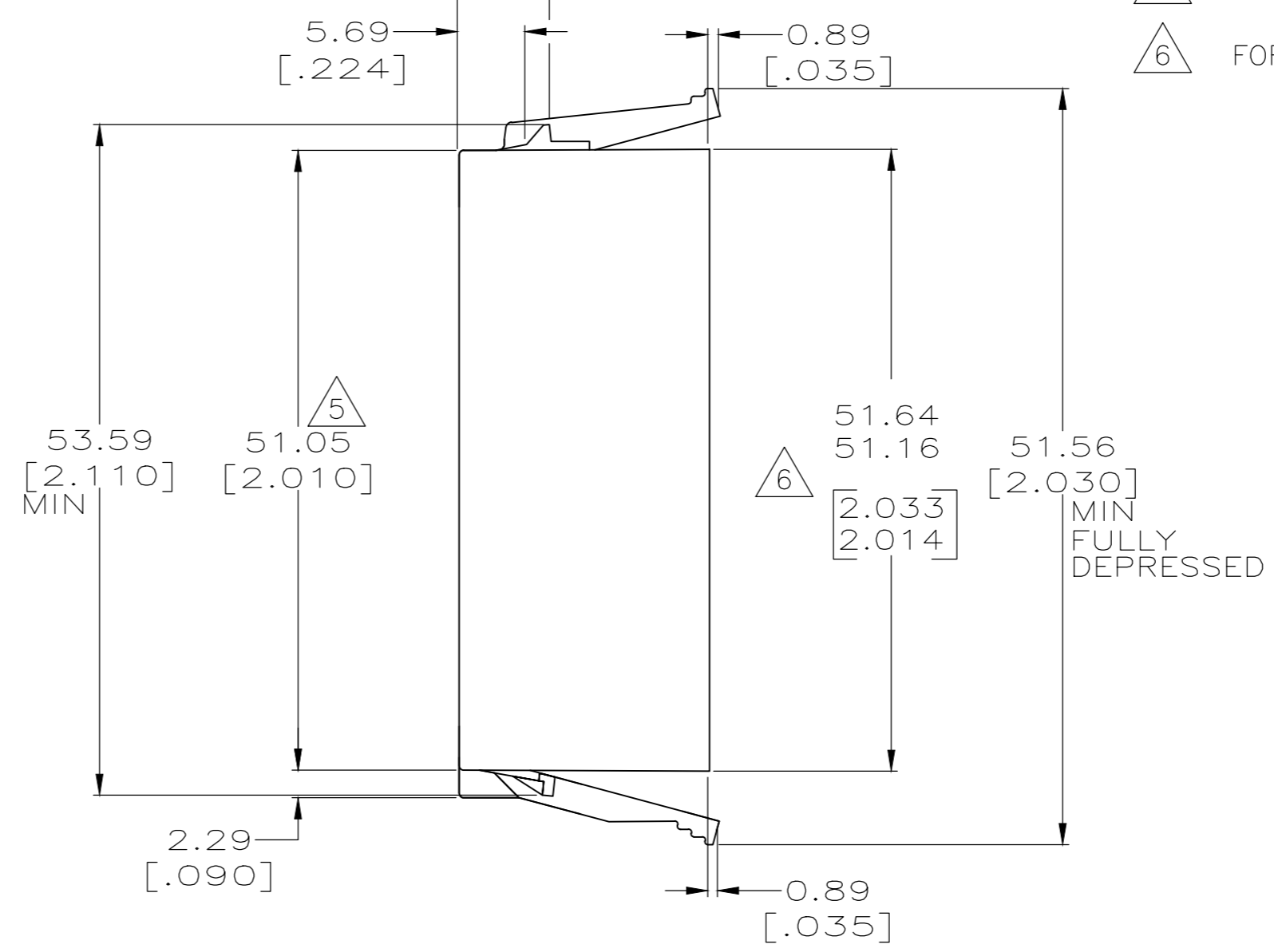
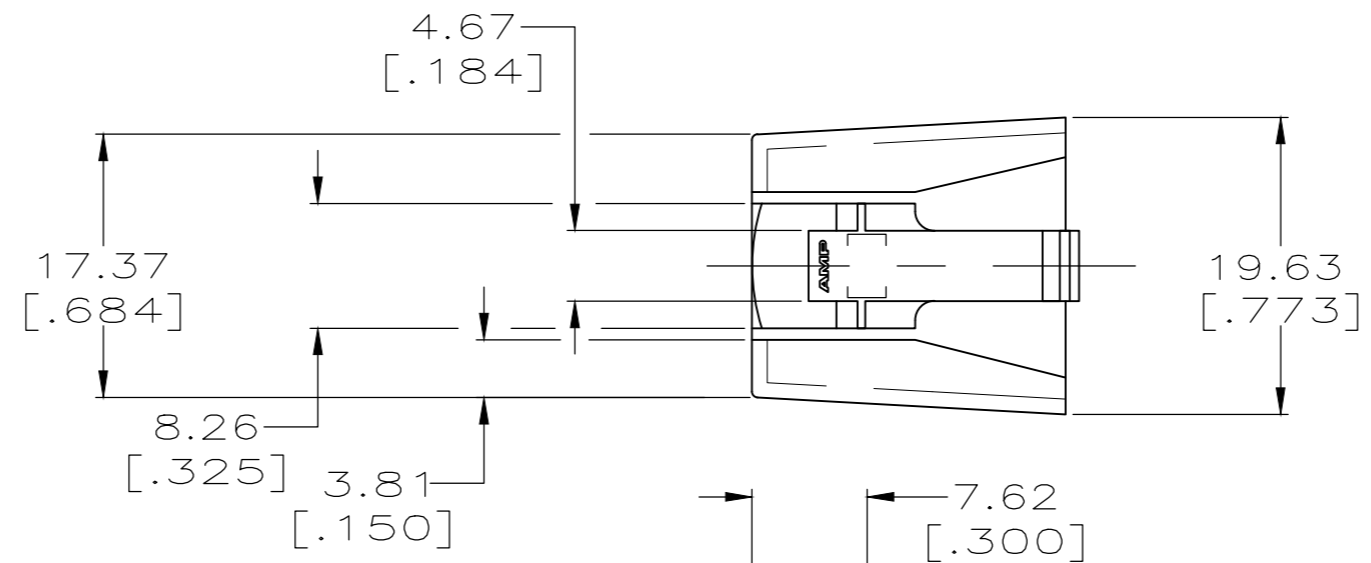
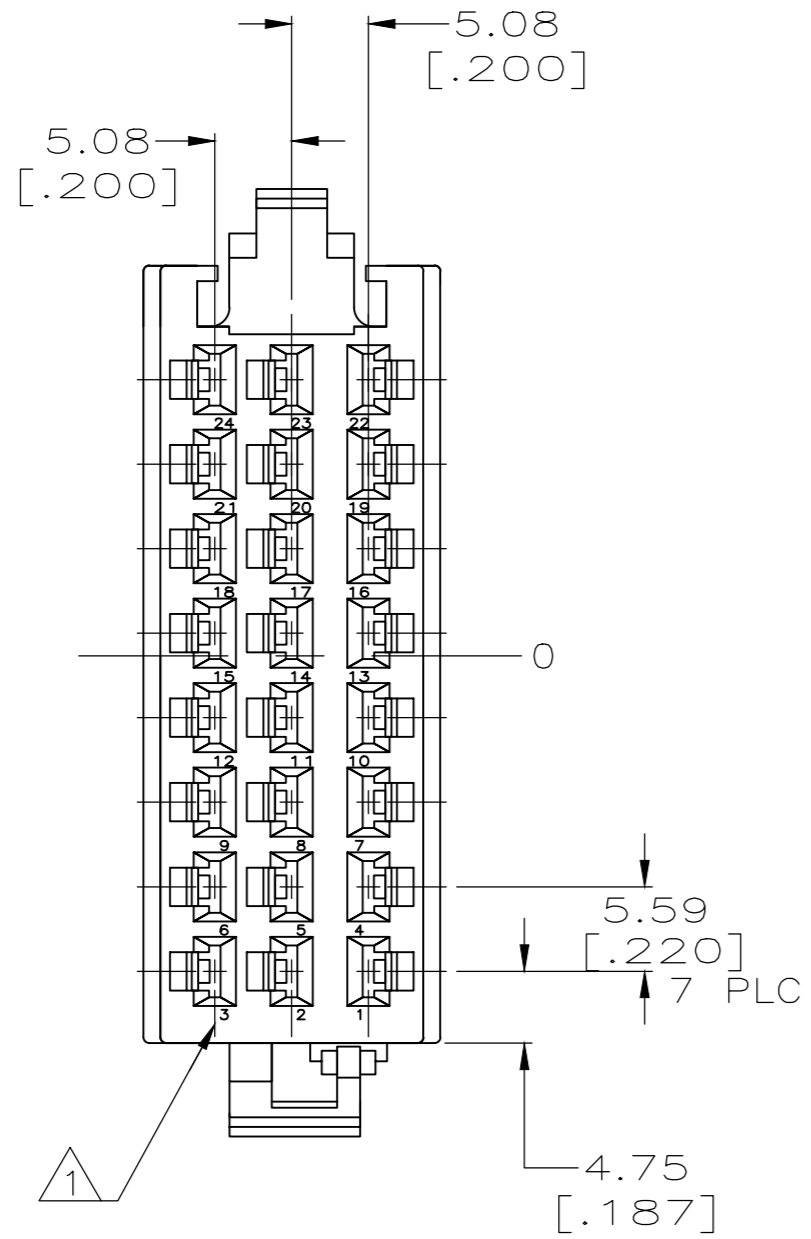


THIS DRAWING IS UNPUBLISHED. RELEASED FOR PUBLICATION  
 © COPYRIGHT - By - ALL RIGHTS RESERVED.

REVISIONS				
P	LTR	DESCRIPTION	DATE	APVD
T		REVISED PER ECR-19-015928	09JAN2020	PC DS

- 1 CIRCUIT IDENTIFICATION.
- 2 ACCEPTS TERMINAL #770642-( )
- 3 #770197-1 MATES WITH CAP HOUSING 521062-( ). CONSULT TE ENGINEERING FOR 770197-2.
- 4 GLOW WIRE COMPLIANT PER IEC 60335-1 750C NO FLAME
- 5 FOR 770197-2 MAX DIMENSION IS 51.43[2.025]
- 6 FOR 770197-2 MAX DIMENSION IS 51.92[2.044].



7 SUPERSEDED BY 1-770197-2.

FINISH	MATERIAL	PART NUMBER
NATURAL	PA66 V0	1-770197-2
NATURAL	PA6 V-2	770197-2
BLACK	PA66 V-2	770197-1

THIS DRAWING IS A CONTROLLED DOCUMENT.		DWN M.S. FEHER 10NOV2000	TE Connectivity Ltd.	
DIMENSIONS: mm [INCHES]		CHK J.R. RUTH 10NOV2000		
TOLERANCES UNLESS OTHERWISE SPECIFIED:		APVD DON DECKER 10NOV2000	NAME	
0 PLC ± -	1 PLC ± -	PRODUCT SPEC 108-1271	TIMER CONNECTOR HOUSING, 24 POS, RIGHT HAND, GEN III	
2 PLC ± 0.25 [.010]	3 PLC ± -	APPLICATION SPEC 114-49003	SIZE A2	CAGE CODE 00779
4 PLC ± -	ANGLES ± -	MATERIAL SEE TABLE	DRAWING NO C=770197	RESTRICTED TO -
FINISH SEE TABLE		WEIGHT -	SCALE 2:1	SHEET 1 of 1
		CUSTOMER DRAWING	REV T	