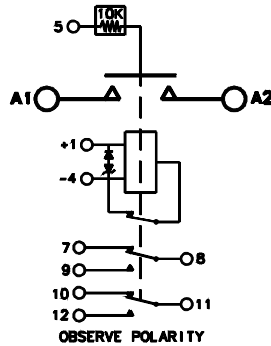
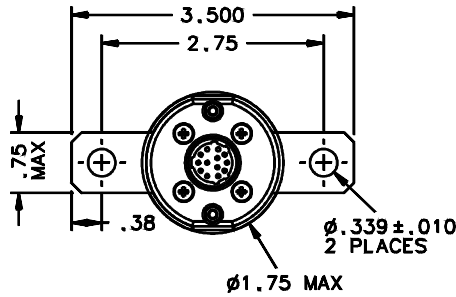


K-400B3C-05 REV. C

REVISIONS		RELEASED	REV.
REV	DESCRIPTION	DATE	APPROVED
A	- ADDED RESISTOR VALUE	11/10/04	
B	0098-05 CHGD 2.55 TO 2.58 ADDED F TO CONN. PN	2/25/05	CB
C	06-002540 REMOVED ITEM 4 BALLOONS, ADDED ITEM 3 BALLOON	06/01/24	CB



**CONSTRUCTION**  
GASKET SEALED

**MAIN CONTACTS**  
CONFIGURATION: SPST N.O. (DOUBLE BREAK)  
VOLTAGE: 28 VDC  
CURRENT:  
RESISTIVE: 400 AMPS  
INDUCTIVE: 100 AMPS  
OVERLOAD: 2000 AMPS  
MOTOR:  
1875 AMPS FOR 0 TO 5 SEC.  
1700 AMPS FOR 5 TO 10 SEC.  
1500 AMPS FOR 10 TO 15 SEC.  
1200 AMPS FOR 15 TO 20 SEC.  
1000 AMPS FOR 20 TO 25 SEC.  
750 AMPS FOR 25 TO 30 SEC.  
500 AMPS FOR 30 TO 90 SEC.

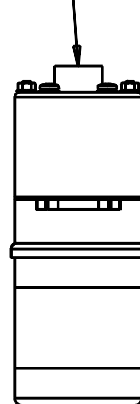
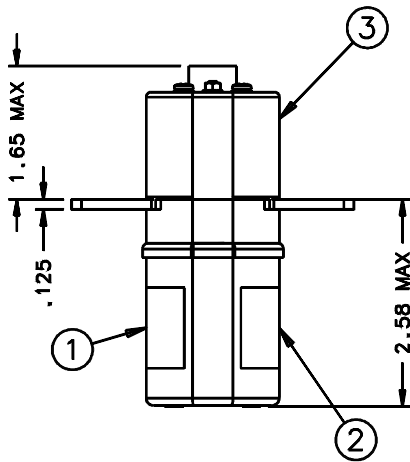
**AUXILIARY CONTACTS**  
CONFIGURATION: 2PDT (FORM C)  
VOLTAGE: 28 VDC  
CURRENT:  
RESISTIVE: 5 AMPS  
INDUCTIVE: 2 AMPS  
LAMP: 1 AMP  
LOW LEVEL: 1 mAAMP AT 28 VDC

**COIL DATA**  
DUTY CYCLE: CONTINUOUS (ECONOMIZED)  
MAX. OPERATE VOLTAGE: 32.5 VDC  
NOM. OPERATE VOLTAGE: 28 VDC  
MAX. PICKUP VOLTAGE: 14 VDC AT 25°C  
DROPOUT VOLTAGE: 1.5 - 7.0 VDC  
COIL CURRENT:  
INRUSH: 5.5 AMPS MAX AT 25°C  
HOLD: 400 mAAMP AT 25°C

**OPERATING CHARACTERISTICS**  
OPERATE TIME: 35 MILLISECONDS MAX.  
RELEASE TIME: 20 MILLISECONDS MAX.

**ENVIRONMENTAL DATA**  
TEMPERATURE: -55°C TO 85°C  
ALTITUDE: 51,000 FEET  
LIFE ELECTRICAL: 50,000 CYCLES MIN.  
LIFE MECHANICAL: 100,000 CYCLES MIN.  
WEIGHT MAX.: .75 LBS. (12 OZ.)

CONNECTOR  
P/N: MS27508E10F35P



**NOTES:**

1. COIL TRANSIENT VOLTAGE LIMITED TO ±42 VOLTS REFERENCED TO ZERO VOLTS.
2. MASTER KEYWAY TO BE PARALLEL WITH EITHER BUS BAR.
3. AUXILIARY CONTACTS ARE GOLD PLATED.
4. THE 1 MILLIAMPERE RATING DOES NOT APPLY IF CONTACTS HAVE SWITCHED LOADS ABOVE 1 MILLIAMPERE.

3	1	47619-010	CONTACTOR ASSEMBLY - PRIMARY			
2	1	44900-011	PLATE - SCHEMATIC DIAGRAM			
1	1	47704-001	PLATE - NAME			
FIND NO	QTY REQ'D	PART OR IDENTIFYING NO	NOMENCLATURE OR DESCRIPTION	CAGE NO	DRAWING OR SPECIFICATION	MATERIAL OR NOTE
UNLESS OTHERWISE SPECIFIED DIMENSIONS ARE IN INCHES TOLERANCES ON			 Hartman Division 175 N. DIAMOND STREET WANSFIELD, OHIO 44002			
2 PL DEC., 3 PL DEC., ANGLES						
		± .03	± .010	± 1°	DR BY: RSS 04/06/01 CHK BY: CB 04/12/30 ENGR: RSS 04/12/30 MFG: MB 04/12/30	
			SIZE: C	CODE IDENT: 74063	CONTACTOR - SPST N.O. 400 AMPS, 28 VDC 093	
			SCALE:	SHEET:	DWG NO. K-400B3C-05 REF TYCO P/N 7-1616941-3	