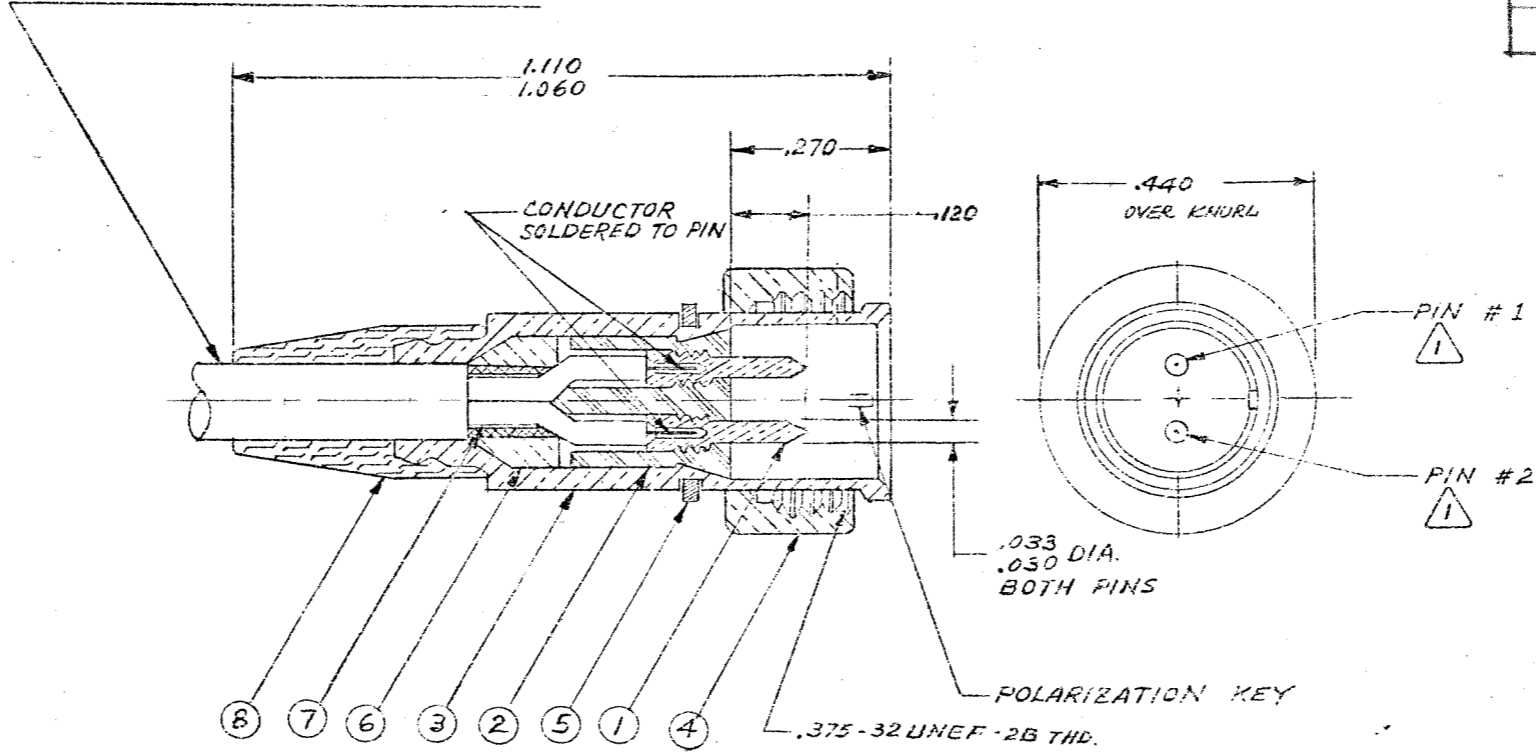


CABLE ACCEPTANCE DIMS
 MALCO CABLE 202-3932-0000
 JACKET : .167 MAX. DIA.
 SHIELD : .142 MAX. DIA.
 DIELECTRIC : .061 MAX. DIA.
 INNER COND. : .014 MAX. DIA.

REVISIONS					
ZONE	LTR	ECN	DESCRIPTION	DATE	APPROVED
	J	24811	REV. & REDRAWN. ORIGINAL RELEASED BY BEALE & T.K. @ 2-29-80	3-5 80	hs
	K	26114	UPDATE REV. LETTER @ 10-8-81	10/9/81	hs
	L	316337	ITEM B, WAS 003-0064-0000	2/21/97	es
	M	38487	UPDATE REV. LETTER	1/19/99	es



Tyco Dwg 7-1532004-5
 Micro P/N 052-0324-0001

NOTES: UNLESS OTHERWISE SPECIFIED

- ① PIN #1 IS NORMALLY TERMINATED TO WHITE OR CLEAR DIELECTRIC. PIN #2 IS NORMALLY TERMINATED TO COLOR DIELECTRIC.
- ② GOLD PLATE PER MIL-G-45204 TYPE II, GRADE C, CL. 1.
- ③ SILVER PLATE .0002 MIN. PER QQ-S-365 TYPE II, GRADE A.
- 4. FOR ASSEMBLY. PREASSEMBLE HOUSING, NUT, RETAINING RING INTO HOUSING SUBASSY. THEN FOLLOW INSTRUCTION RF-ASMB-61.
- 5. MALCO ASS'Y TOOL NO. 010-0172-0000 REQUIRED
- 6. THIS CONNECTOR MATES WITH ALL TWINAX SCREW ON TYPE JACKS & RECEPTACLES AS LISTED IN MALCO CATALOG

QTY REQD	FINISH	PART OR IDENTIFYING NO.	NOMENCLATURE OR DESCRIPTION	MAT'L & SPEC	ITEM
1		000-3601-0401	LARGE SHRINK SLEEVE	POLYOLEFIN - CLEAR	N/S
1		003-0272-0000	B.R. CAP - BLACK	SILICONE RUBBER ZZ-R-765	⑧
1		000-3601-0254	SMALL SHRINK SLEEVE	POLYOLEFIN - BLACK	⑦
1	③	003-0515-0001	JERK RING	BRASS PER QQ-B-626	⑥
1	③	005-3184-0001	RETAINING RING	BERYLLIUM COPPER PER QQ-C-530	⑤
1	③	003-0577-0001	NUT-DIAMOND KNURL	BRASS PER QQ-B-626	④
1	③	000-1601-0312	HOUSING	BRASS PER QQ-B-626	③
1		003-0514-0001	INSULATOR	TEFLON PER L-P-401	②
2	②	003-0587-0002	PIN	BRASS PER QQ-B-626	①

PARTS LIST		APPROVALS		DATE	
UNLESS OTHERWISE SPECIFIED DIMENSIONS ARE IN INCHES TOLERANCES ARE:	CONTRACT NO.	DRAWN EUNICE		1/12/79	
FRACTIONS DECIMALS ANGLES		CHECKED [Signature]		3-4-80	
± .XX ± .XXX ± .010		PR. ENG. [Signature]		3-4-80	
		APPD.			
MATERIAL		DRAWING NO.		052-0324-0001	
FINISH		SIZE		B	
NOTED		CODE IDENT NO.		98278	
		DRAWING NO.		052-0324-0001	
NEXT ASSY	USED ON	SCALE		SHEET / OF 1	
APPLICATION	DO NOT SCALE DRAWING				

D

C

B

A