

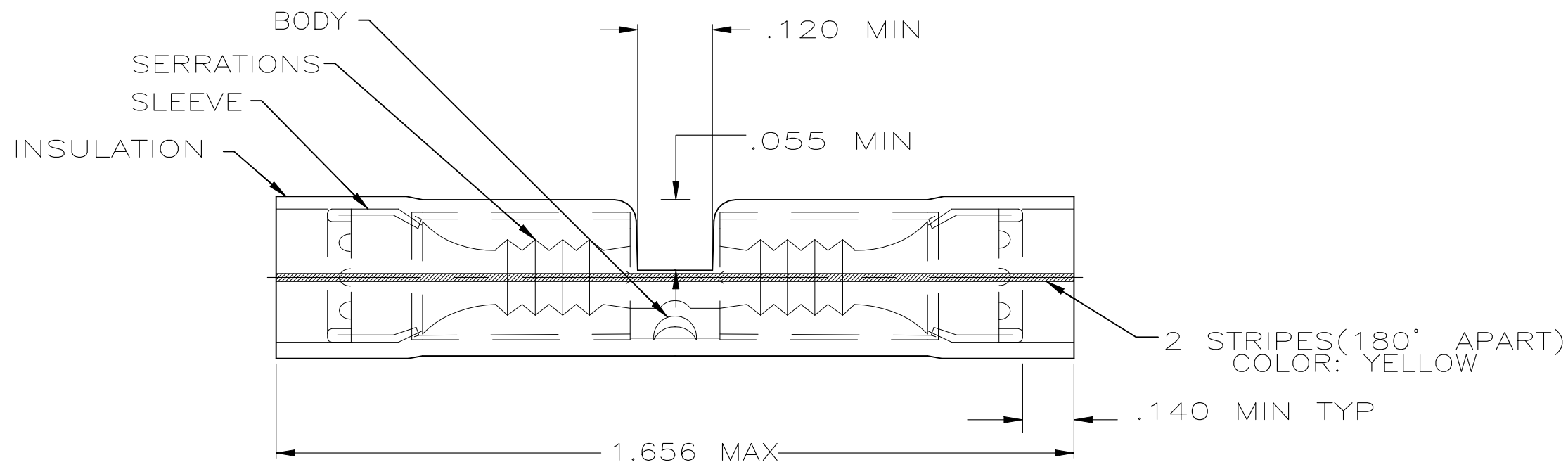
REVISIONS					
P	LTR	DESCRIPTION	DATE	DWN	APVD
	A2	REV PER ECN-22-150900	28APR2022	RK	CSD

**AMP**  
WIRE RANGE

---

12-10 AWG  
STRANDED

- 1 WIRE INSULATION DIA .150 TO .220.
- 2 FINISH: BODY AND SLEEVE:  
TIN PLATE PER ASTM B545.
- 3 MATERIAL: BODY AND SLEEVE,  
COPPER PER ASTM B152  
INSULATION: PVF<sup>2</sup>  
COLOR- NATURAL



500	LOOSE PIECE	696429-1
QTY	PACKAGE TYPE	PART NO.

**AMP INCORPORATED**  
**CUSTOMER SERVICE SYSTEMS**

FOR ADDITIONAL PRODUCT INFORMATION OR COPIES OF DRAWINGS AND TECHNICAL DOCUMENTS  
PRODUCT INFORMATION CENTER  
1-800-522-6752

FOR APPLICATION TOOLING INFORMATION  
TOOLING ASSISTANCE CENTER  
1-800-722-1111

FOR ORDER ENTRY  
1-800-526-5142

MAX RECOMMENDED OPERATING TEMPERATURE:  
150°C

VOLTAGE RATING:  
-

CIRCULAR MIL AREA:  
2.62-6.64mm<sup>2</sup> [5,180-13,100]  
STRANDED

THIS DRAWING IS A CONTROLLED DOCUMENT.

DIMENSIONS: INCHES

TOLERANCES UNLESS OTHERWISE SPECIFIED:

0 PLC	± -
1 PLC	± -
2 PLC	± .008
3 PLC	± -
4 PLC	± -
ANGLES	± -

MATERIAL: - 3

FINISH: - 2

DWN: JR RUTH 19AUG05  
CHK: T MICHELUTTI 19AUG05  
APVD: T MICHELUTTI 19AUG05

PRODUCT SPEC: -  
APPLICATION SPEC: -  
WEIGHT: -

**STE** TE Connectivity

NAME: SPLICE, BUTT, PVF2 , P.I.D.G.  
WIRE SIZE: 12-10 AWG

SIZE	CAGE CODE	DRAWING NO	RESTRICTED TO
A3	00779	C-696429	-

CUSTOMER DRAWING SCALE 1:1 SHEET 1 OF 1 REV A2