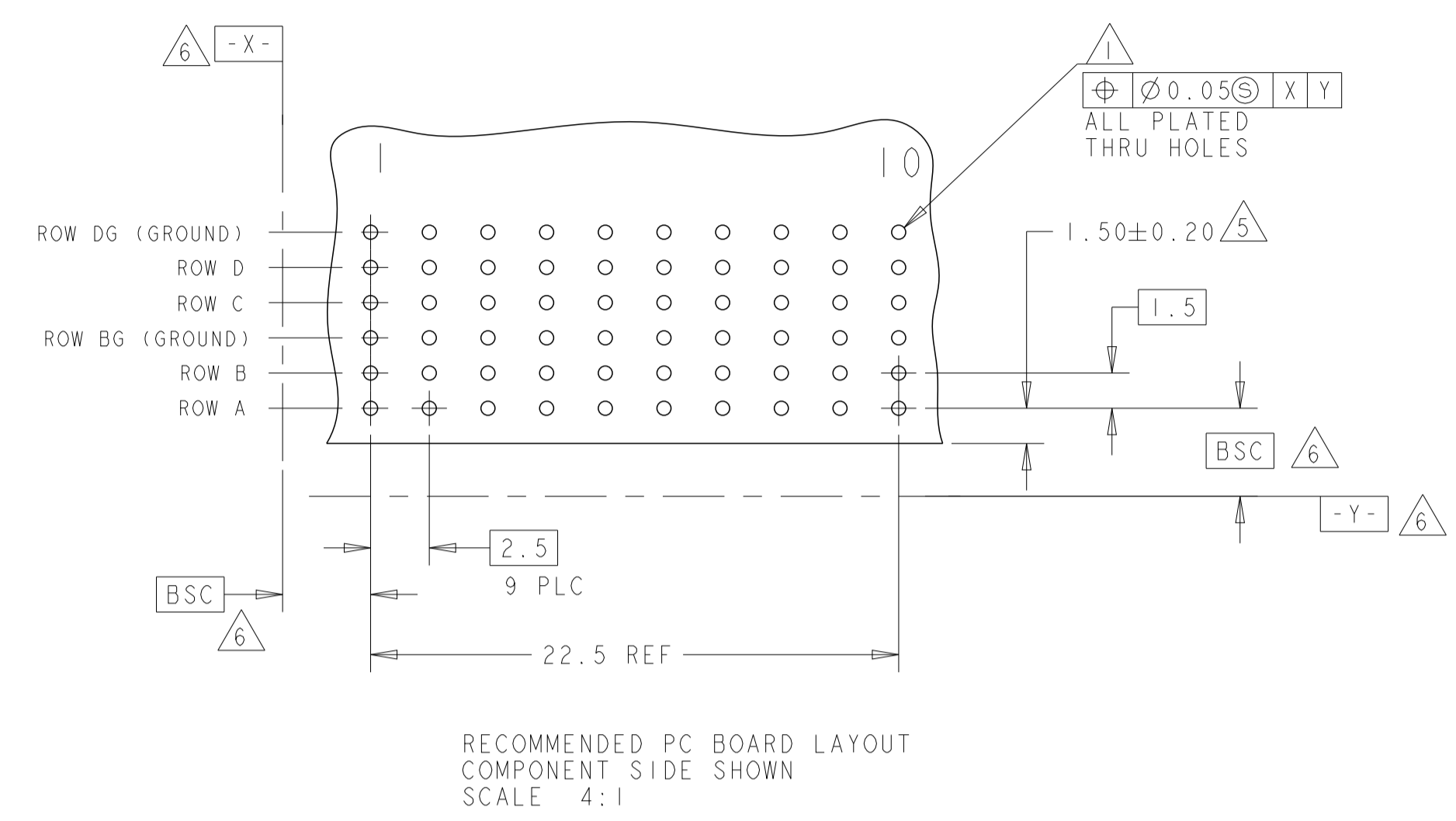
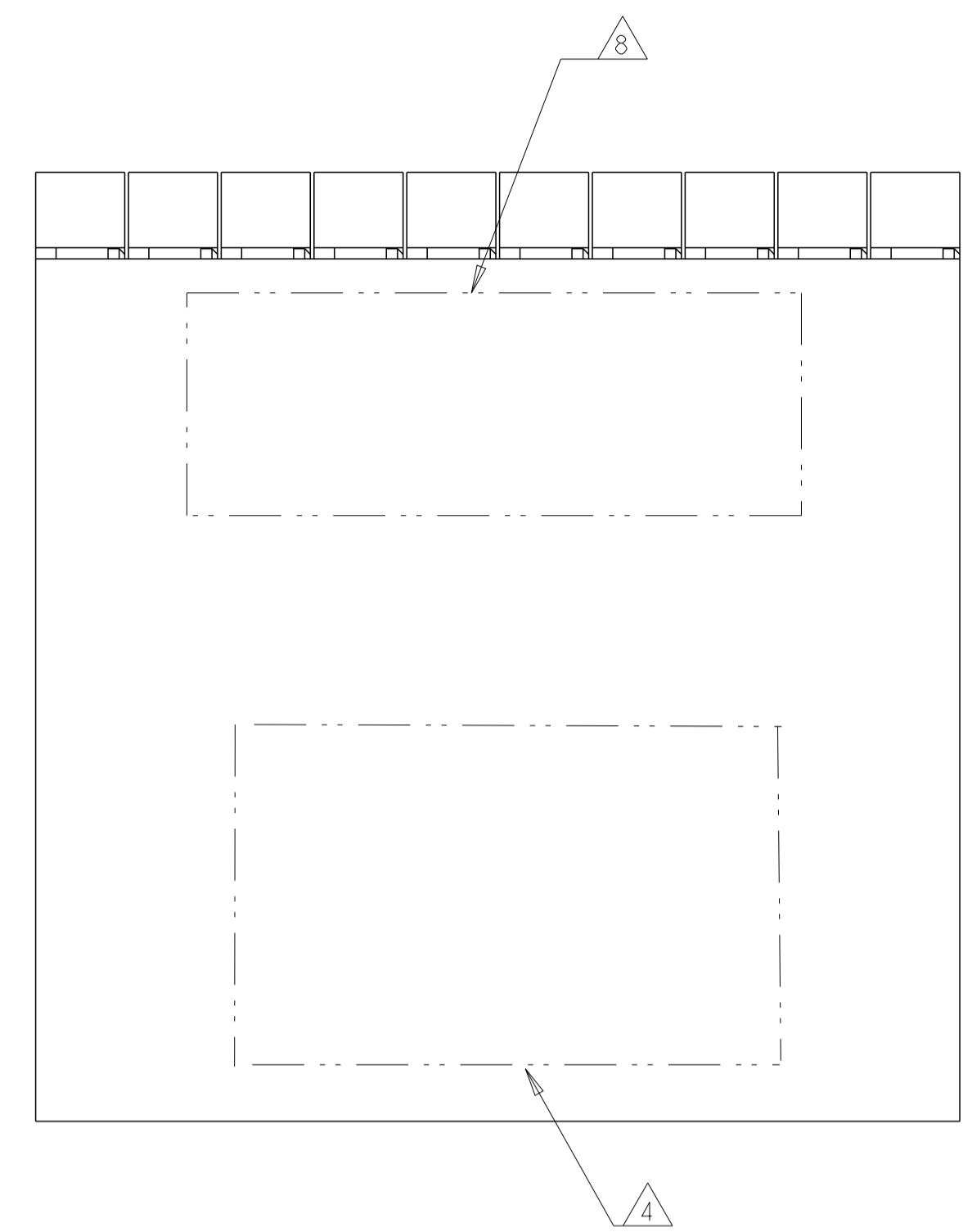
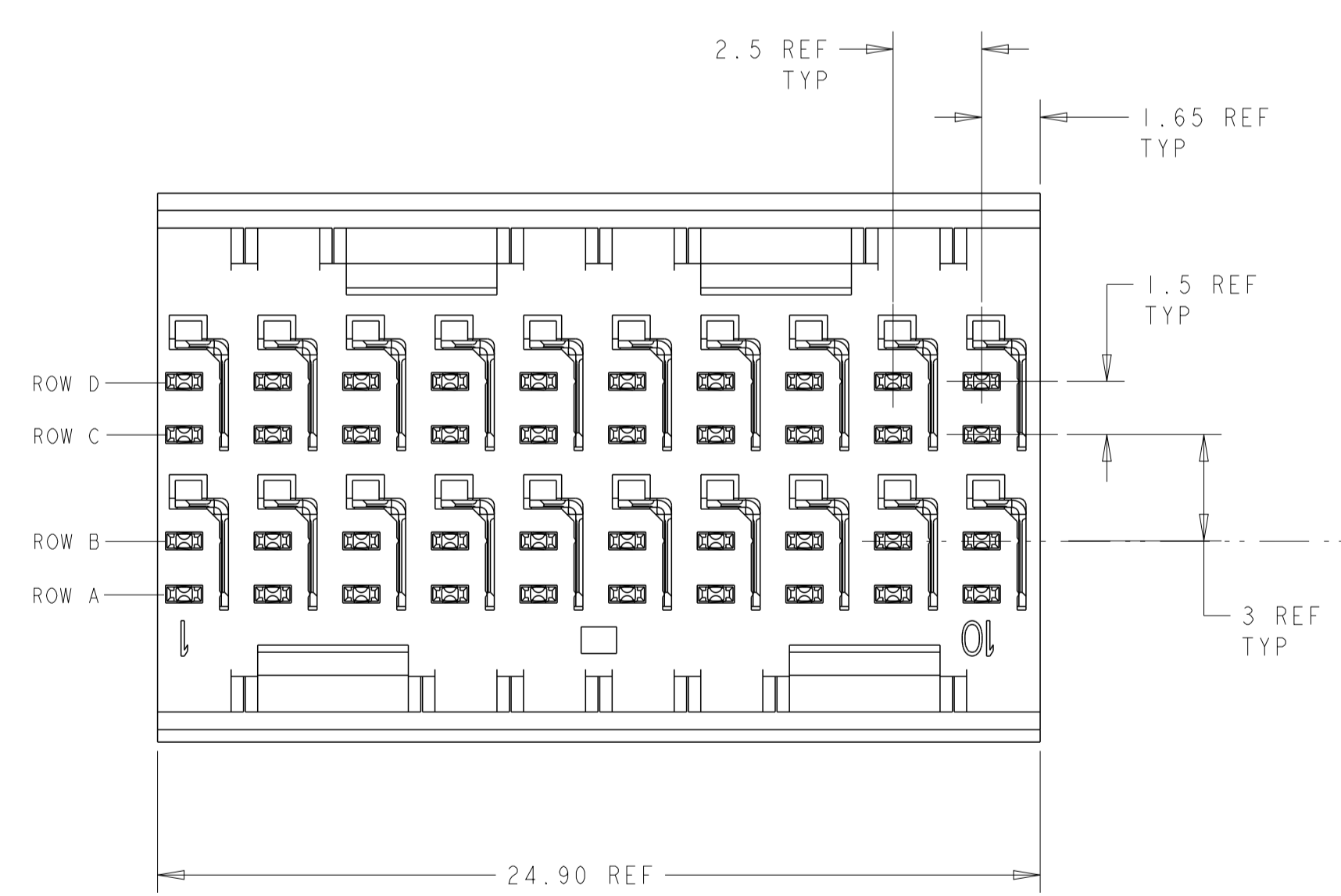


REVISIONS				
P	LTN	DESCRIPTION	DATE	APPROV
C		REVISED PER ECO-18-018129	14OCT2019	AP DS
D		REVISED PER ECN-23-227450	22AUG2023	RZ HL

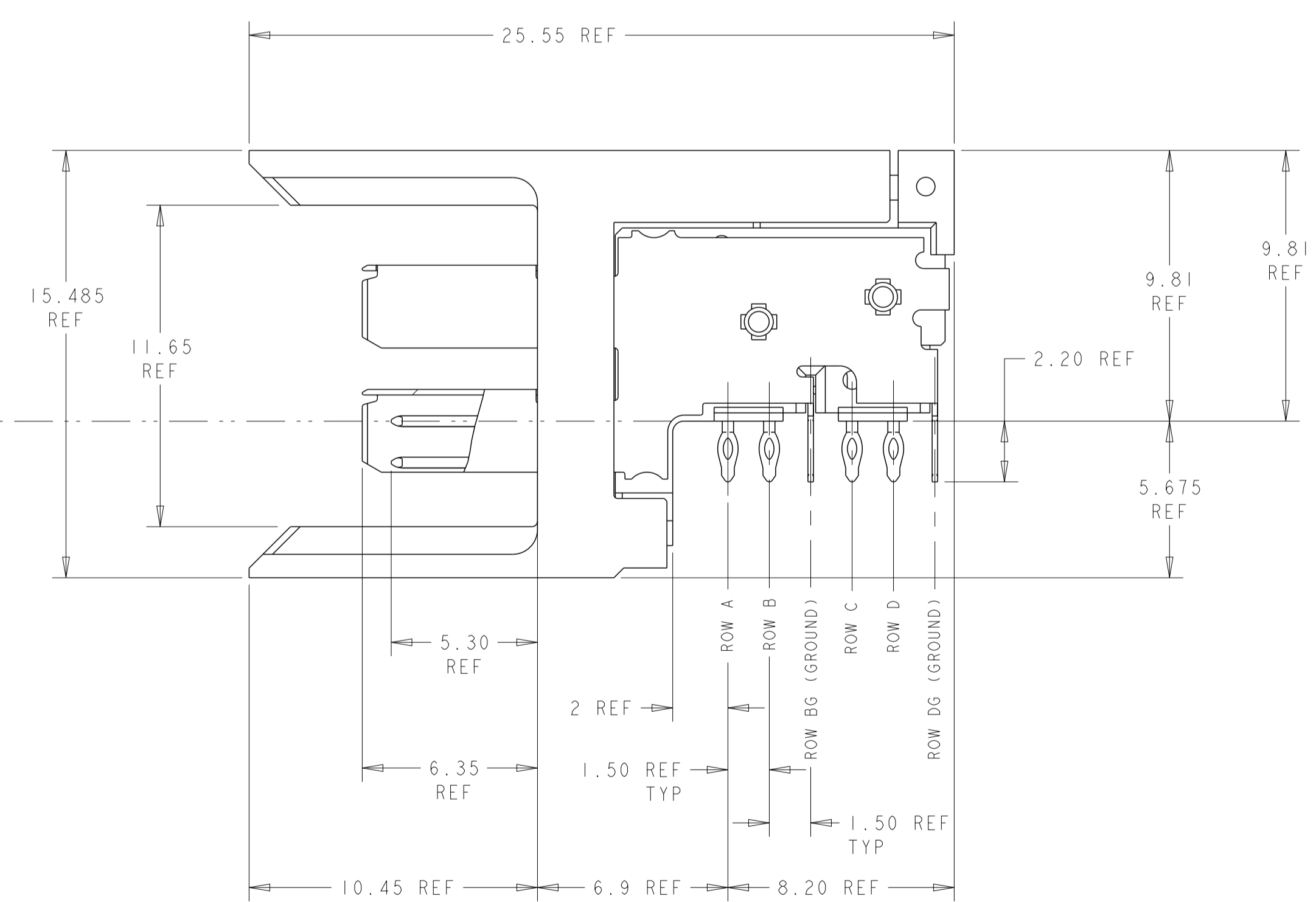


RECOMMENDED PC BOARD LAYOUT
COMPONENT SIDE SHOWN
SCALE 4:1

- 1 REFERENCE APPLICATION SPEC 114-13059 FOR RECOMMENDED PLATED THRU HOLE DIAMETER AND PLATING THICKNESSES.
- 2 MATERIAL:
CONTACT & SHIELD - PHOSPHOR BRONZE
HOUSING & CHICKLET - GLASS FILLED POLYESTER
- 3 FINISH: SIGNAL AND GROUND CONTACTS:
MATING AREA: MEETS THE PERFORMANCE REQUIREMENTS OF PRODUCT SPECIFICATION 108-2055; BASED ON TELCORDIA GR-1217-CORE, APPLICATIONS IN UNCONTROLLED ENVIRONMENTS
COMPLIANT PIN AREA: 0.5 μm MIN MATTE TIN OVER BASE PLATING
- 4 CONNECTOR MARKED WITH PART NUMBER AND DATE CODE IN APPROXIMATE AREA SHOWN
- 5 DIMENSION APPLIES TO CENTERLINE OF THRU HOLE
- 6 DATUMS AND BASIC DIMENSIONS ESTABLISHED BY CUSTOMER
- 7 CONTACT AREA LUBRICATED WITH BELLCORE APPROVED LUBRICANT. TECHNICAL REFERENCE: GR-1217-CORE, ISSUE 1, NOVEMBER 1995
- 8 TE OR TE CONNECTIVITY LOGO IS LOCATED.



TOP SURFACE OF DAUGHTER CARD



6469169-1
PART NUMBER

THIS DRAWING IS A CONTROLLED DOCUMENT.		OWN S. J. MAGARO 18 JUL 2004	APPROV R. A. PATTERSON 31 MAR 2006	NAME HEADER ASSEMBLY, RIGHT ANGLE, 2 PAIR, COPLANAR, HMZd
DIMENSIONS:	TOLERANCES UNLESS OTHERWISE SPECIFIED:	TE Connectivity		
mm	0 PLC ±0.2 1 PLC ±0.13 2 PLC ±0.05 3 PLC ±0.05 4 PLC ±0.05 ANGLES ±1°	SIZE A100779	CAGE CODE C=6469169	RESTRICTED TO
MATERIAL	FINISH	WEIGHT	CUSTOMER DRAWING	SCALE 6:1 SHEET 1 OF 1 REV D