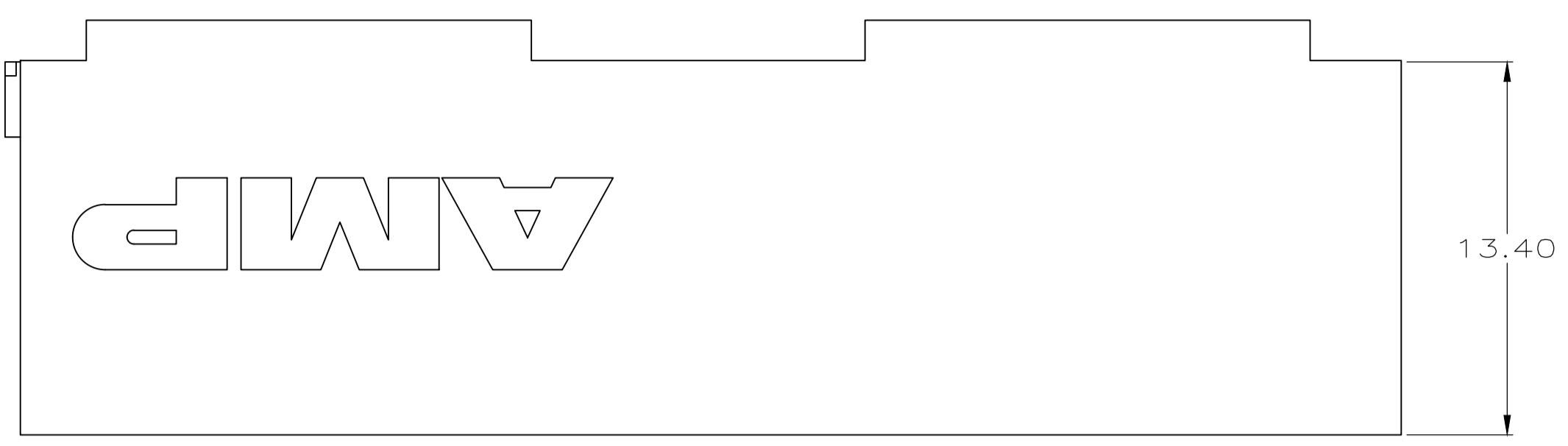
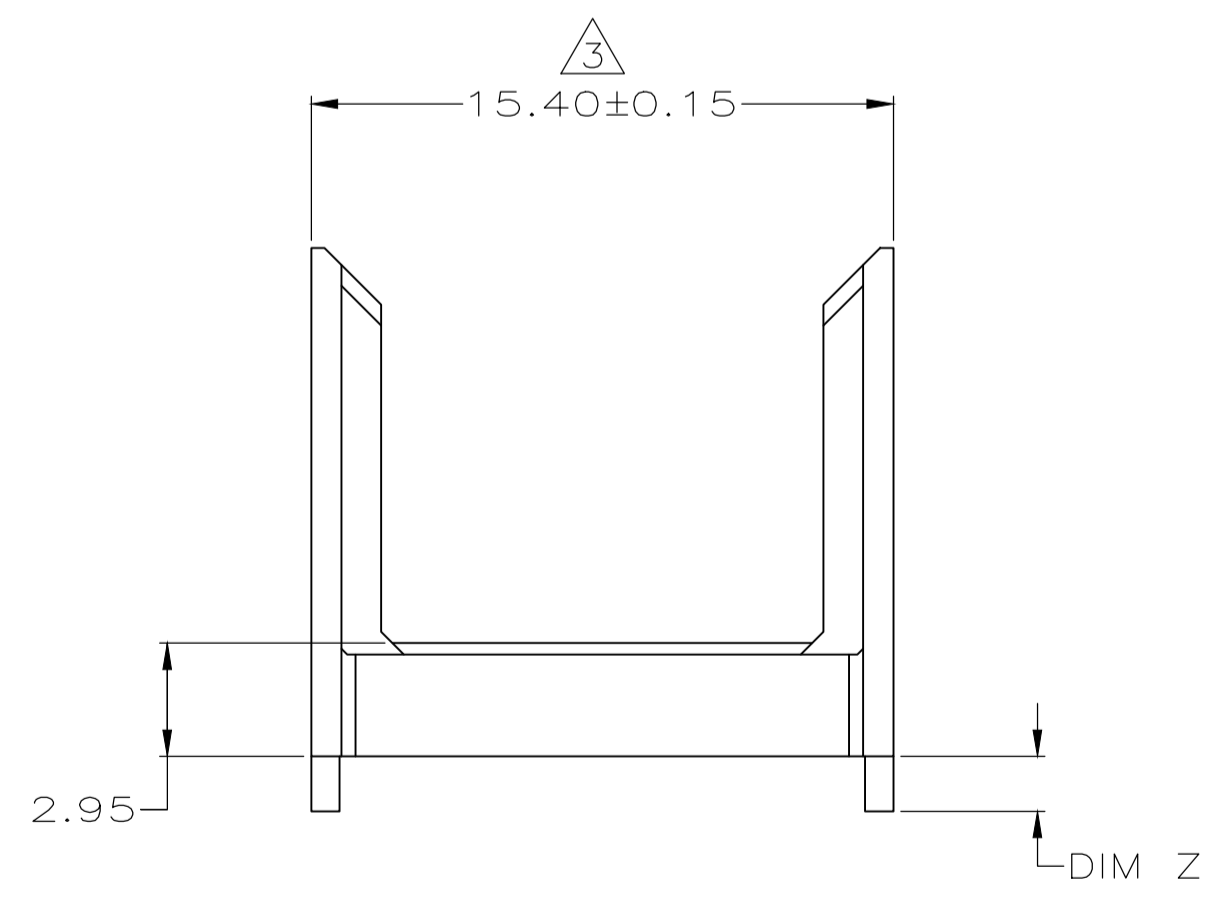
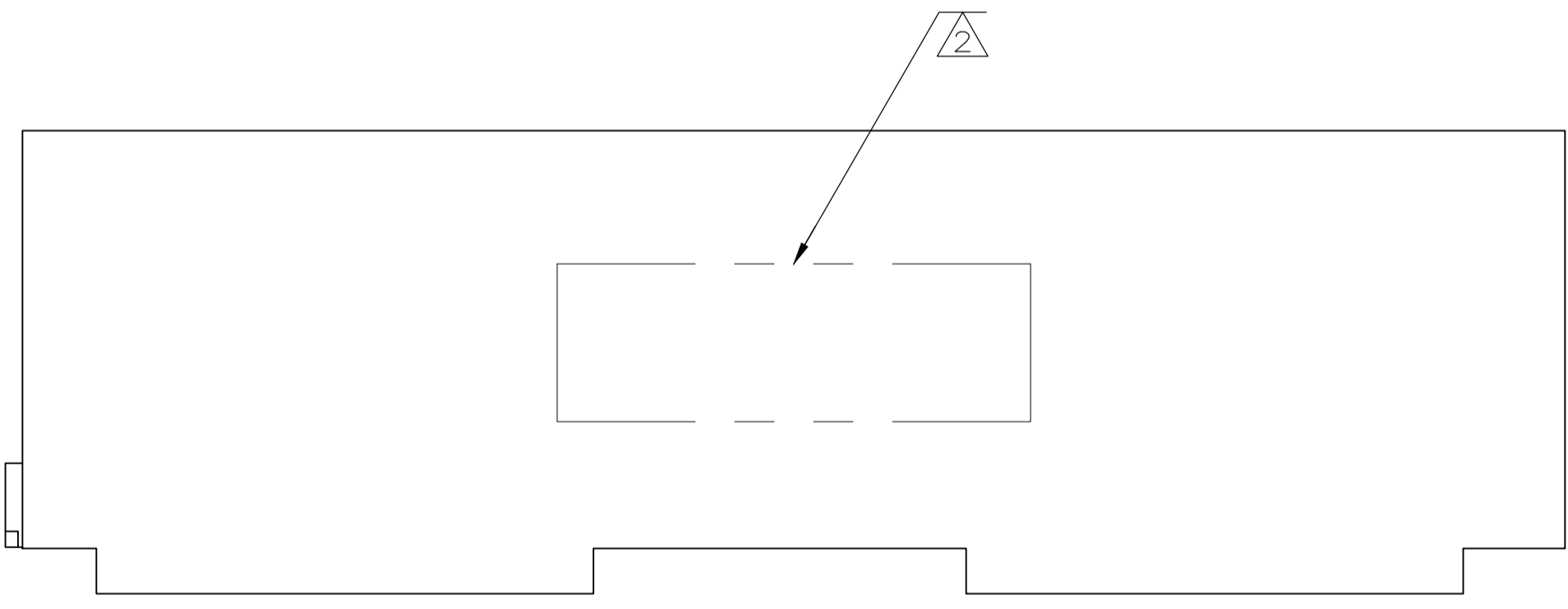
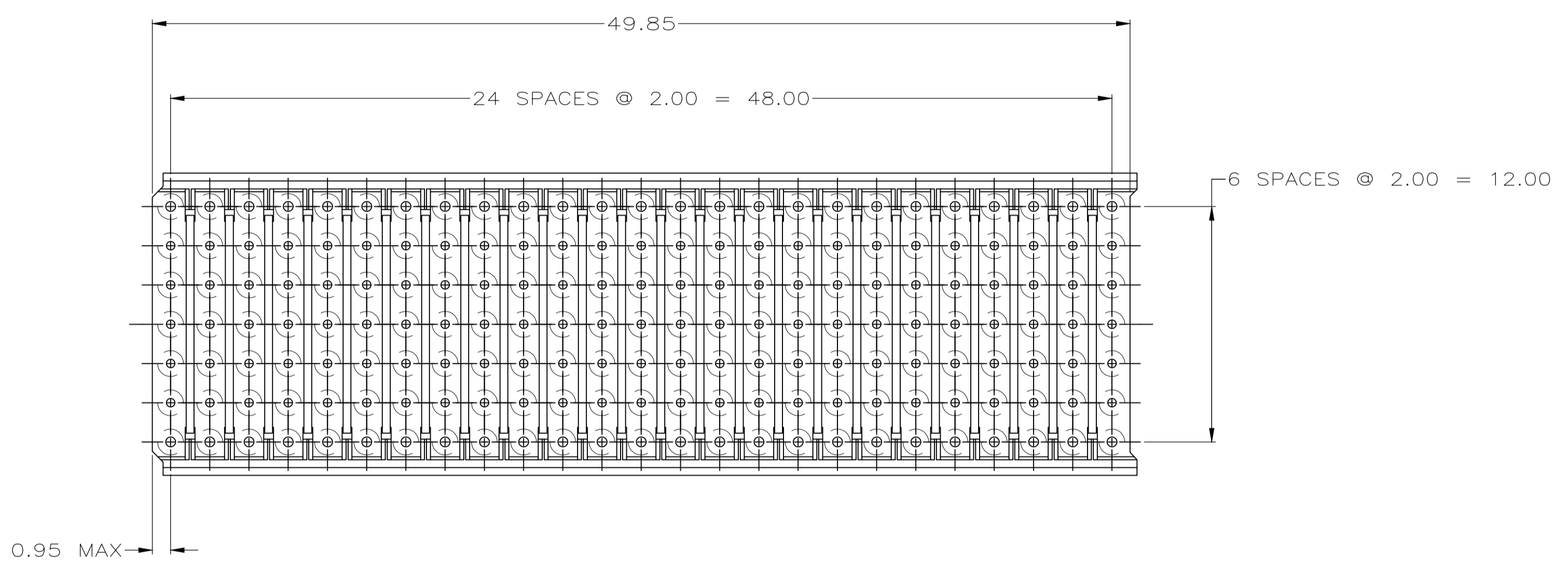


REVISIONS				
P	LTR	DESCRIPTION	DATE	APPV
E		ECR-18-000598	28FEB2018	FL HL



- ⚠ MATERIAL: GLASS FILLED POLYESTER.
- ⚠ PART NUMBER MARKED IN APPROXIMATE AREA SHOWN.
- ⚠ TO BE MEASURED AT BASE OF SHROUD.
- ⚠ OBSOLETE PARTS: OBSOLETE CIS STREAMLINING PER D.RENAUD/D.SINISI



	1.90	646479-7
	1.70	646479-6
	1.50	646479-5
	1.30	646479-4
⚠ OBSOLETE	1.10	646479-3
	0.90	646479-2
		646479-1
	DIM Z	PART NUMBER

THIS DRAWING IS A CONTROLLED DOCUMENT.

DIM	T. SHUEY	6-16-98
CHK	G. SKIPPER	11-23-98
APPV	G. SKIPPER	11-23-98

TE Connectivity

SHROUD, TYPE B,Z-PACK 2mm HM, 5 ROW, 175 POSITION

SIZE	CAGE CODE	DRAWING NO	RESTRICTED TO
A1	00779	646479	

WEIGHT 0.000000

RESTRICTED CUSTOMER

SCALE 5:1 SHEET 1 OF 1 REV E