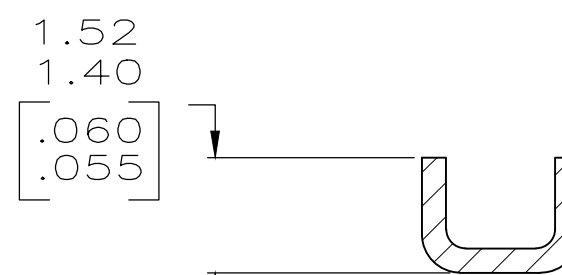
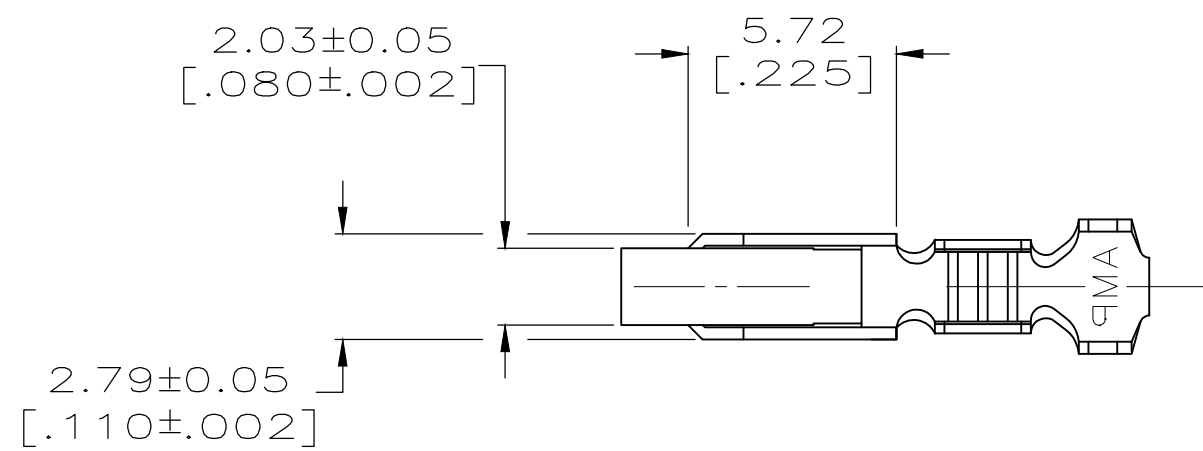


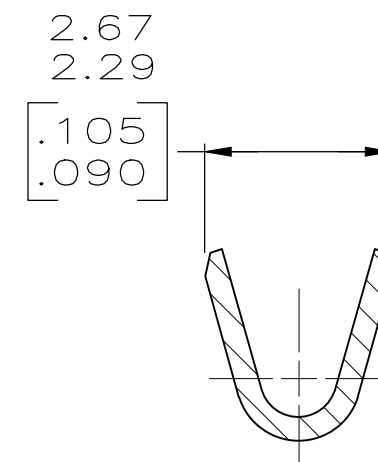
THIS DRAWING IS UNPUBLISHED. RELEASED FOR PUBLICATION  
 © COPYRIGHT - TE Connectivity Ltd. ALL RIGHTS RESERVED.

REVISIONS				
P	LTR	DESCRIPTION	DATE	APVD
C1		REVISED PER ECO-18-001550	02MAY2018	RS SG

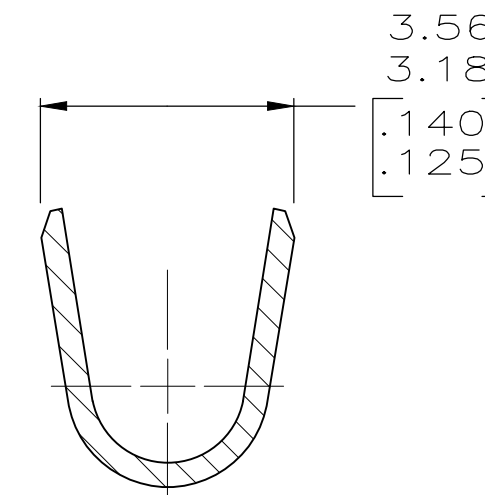
- ① 0.00203 [.000080] MIN BRIGHT TIN-LEAD OVER  
0.00127 [.000050] MIN NICKEL.
- 2. WIRE RANGE: 0.2-0.9mm<sup>2</sup> (24-18 AWG).  
INSULATION RANGE: 2.79 [.110] DIA MAX.
- 3. DIMENSIONS IN BRACKETS ARE IN INCHES.
- ④ 0.00203 [.000080] MIN BRIGHT TIN OVER  
0.00127 [.000050] MIN NICKEL.
- ⑤ OBSOLETE



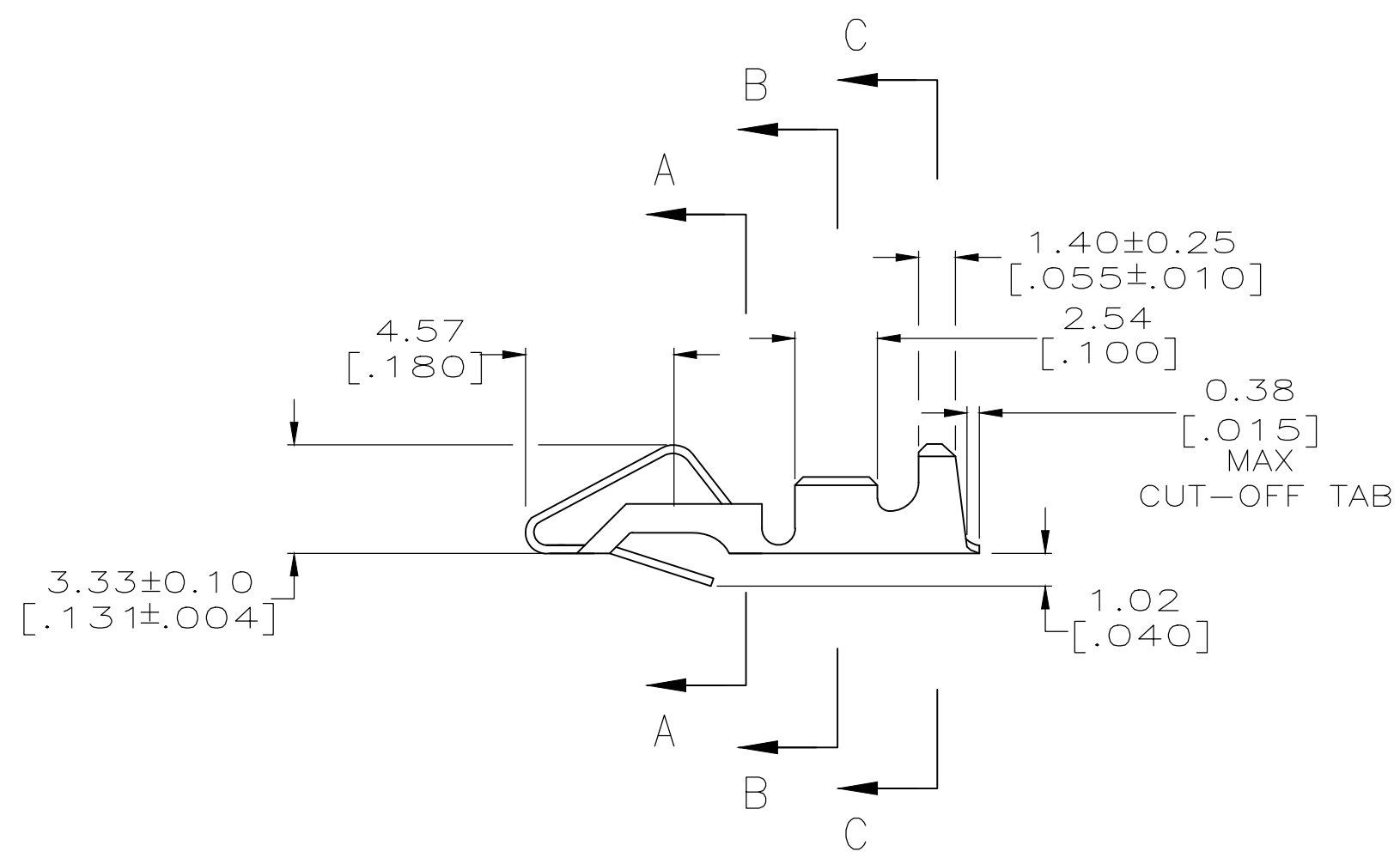
SECTION A-A  
SCALE 10:1



SECTION B-B  
SCALE 10:1



SECTION C-C  
SCALE 10:1



**METRIC**

④	3-640707-1
①	⑤ 640707-1
FINISH	PART NO

THIS DRAWING IS A CONTROLLED DOCUMENT.		DWN S. CARPENTER 21AUG2003	TE Connectivity Ltd.	
DIMENSIONS: INCHES		CHK J. ELLIS 21AUG2003	RECEPTACLE, SL-156, LOOSE PIECE	
TOLERANCES UNLESS OTHERWISE SPECIFIED:		APVD J. ELLIS 21AUG2003	NAME	
0 PLC ±		PRODUCT SPEC	SIZE CAGE CODE DRAWING NO	
1 PLC ±		APPLICATION SPEC	A2 00779 C-640707	
2 PLC ± 0.13 [.005]		RESTRICTED TO		
3 PLC ±		WEIGHT 0.000000		
4 PLC ±		CUSTOMER DRAWING		
ANGLES ±		SCALE 5:1 SHEET 1 OF 1 REV C1		
FINISH SEE TABLE				

A/C BUSINESS GROUP 3323 177-34 'KIM SALMON'

640707