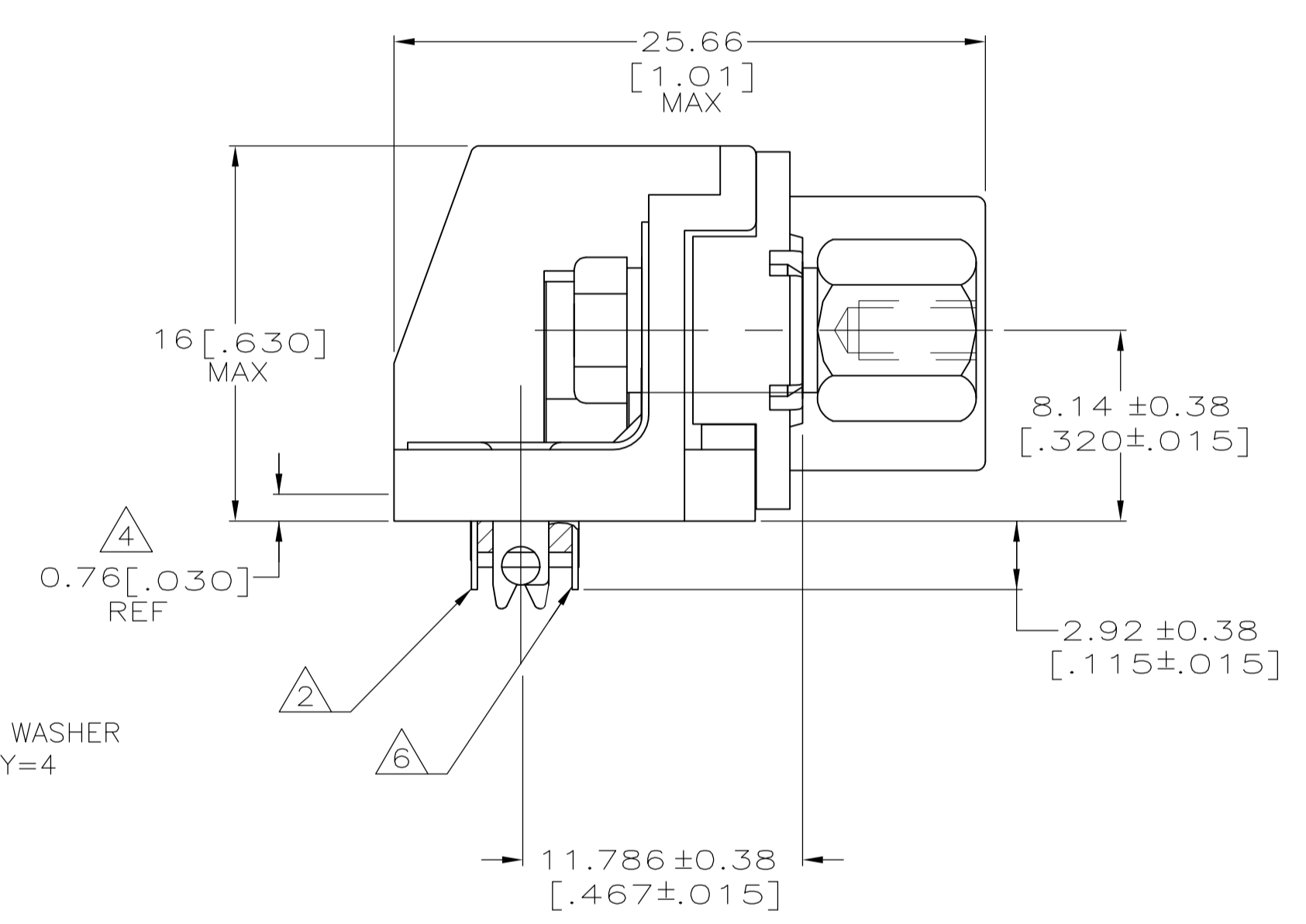
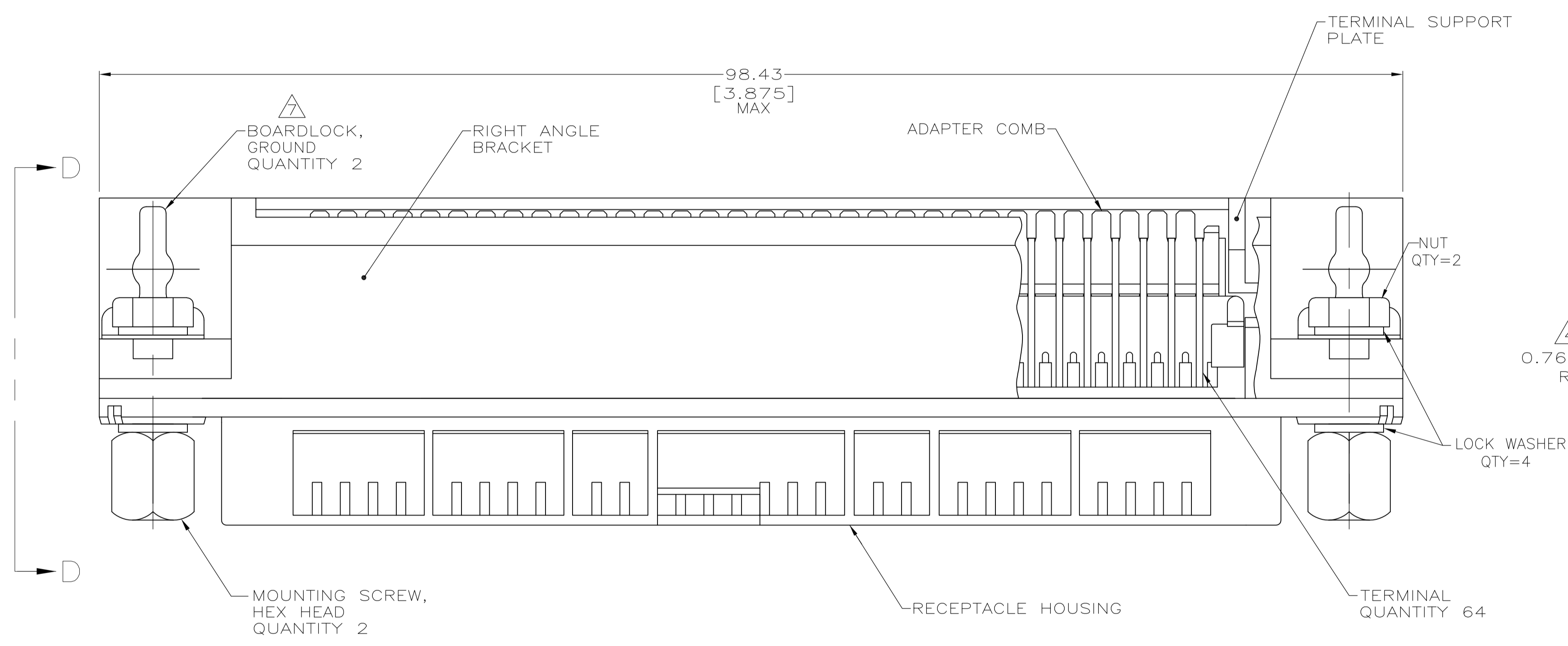
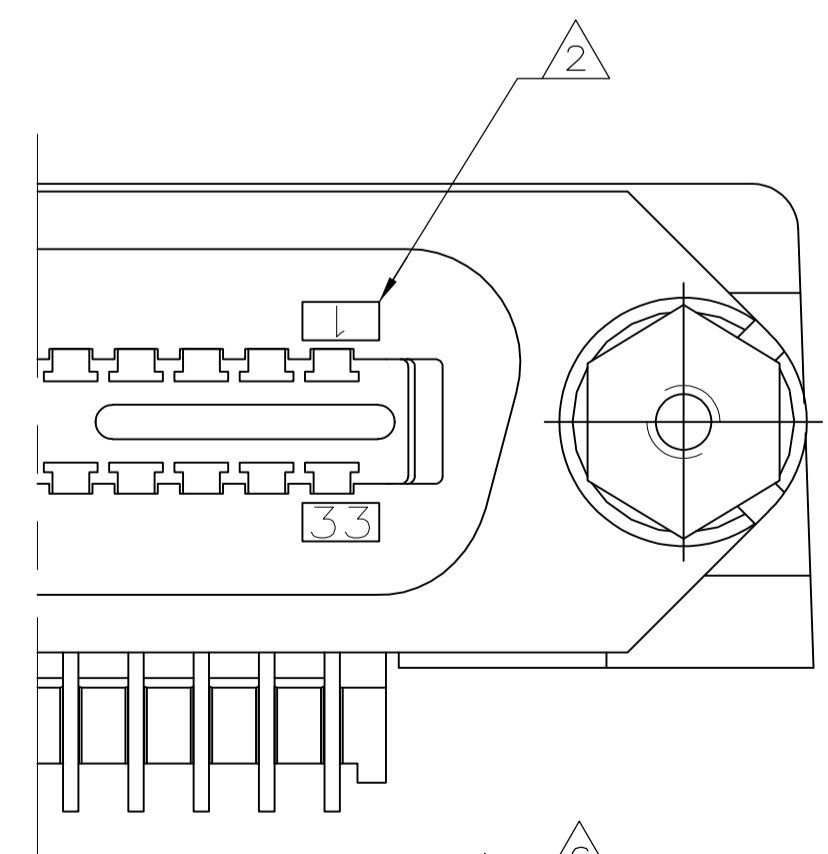


SUGGESTED PRINTED CIRCUIT BOARD
 MOUNTING DIMENSIONS
 SCALE 2:1

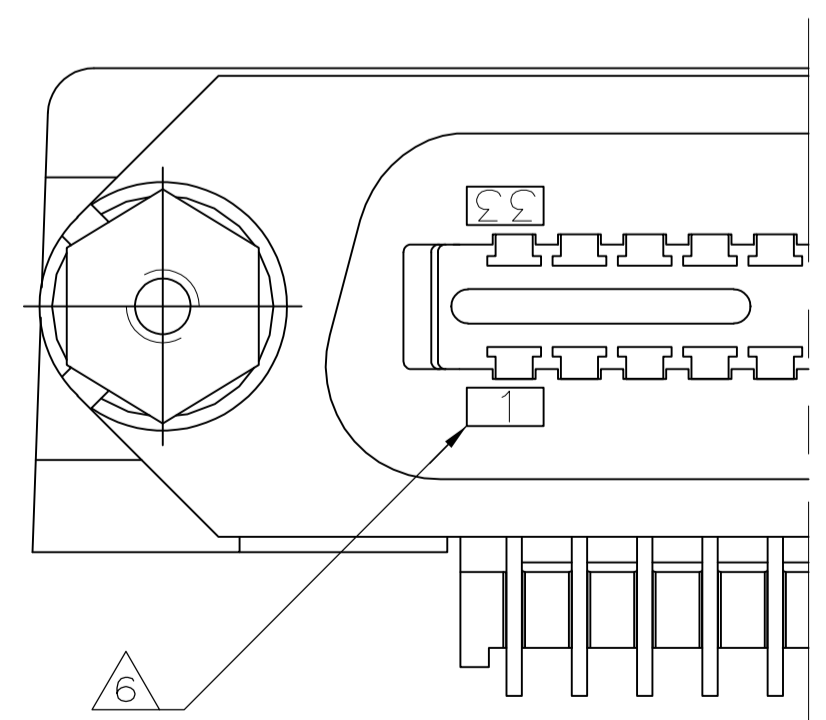
- 1 MATERIAL:
 HOUSING, BRACKET, PLATE AND COMB - THERMOPLASTIC, BLACK, 94V-0 RATED.
 TERMINALS - HIGH STRENGTH COPPER ALLOY PLATED WITH EITHER 0.76μm
 [.000030] MIN GOLD PLATE OR GOLD FLASH OVER PALLADIUM NICKEL PLATE,
 0.76μm [.000030] MIN TOTAL ON MATING SURFACE. 3.05μm [.000120] MIN TIN
 PLATE ON TAILS. ALL OVER 1.27μm [.000050] MIN NICKEL UNDERPLATE OVER
 ENTIRE TERMINAL.
 BOARDLOCK - TIN PLATED CARBON STEEL.
 MOUNTING SCREW, NUT & LOCK WASHER - ZINC PLATE WITH CLEAR TRIVALENT
 CHROMATE OVER STEEL.
- 2 TERMINAL 1 IS LOCATED IN THIS ROW FOR STANDARD ORIENTATION, 6368263-1
 ONLY.
- 3 MAXIMUM DIMENSION FOR REAR PANEL MOUNTING.
- 4 TERMINAL SUPPORT PLATE CLEARANCE FOR TERMINAL STRAIN RELIEF AND FLUX
 REMOVAL.
- 5 TERMINAL 1 IS LOCATED IN THIS ROW FOR REVERSE ORIENTATION, 6368263-2
 ONLY.
- 6 DETAILS "A" AND "B" ARE VIEWED FROM MATING SIDE OF RECEPTACLE ASSEMBLY.
- 7 INTENDED FUNCTION OF BOARDLOCK IN THIS APPLICATION IS TO PROVIDE A GROUND
 PATH ONLY. NO RETENTION FORCE CAN BE EXPECTED FROM THE BOARDLOCK IN
 THIS APPLICATION.



VIEW D-D
 ROTATED 90° CCW



DETAIL A
 STANDARD ORIENTATION



DETAIL B
 REVERSE ORIENTATION

TAPPED HOLE	THRU-BOLT	SEE DETAIL B	6368263-2
TAPPED HOLE	THRU-BOLT	SEE DETAIL A	6368263-1
THREAD TYPE	TYPE OF MOUNTING	DESCRIPTION	PART NUMBER

THIS DRAWING IS A CONTROLLED DOCUMENT.		DIN B	MCMaster	01SEP05	Tyco Electronics Corporation Harrisburg, PA 17105-3608		
DIMENSIONS: mm [INCHES]		CIK W	MILLIMETERS	01SEP05	NAME RECEPTACLE ASSEMBLY, 64 POSITION, RIGHT ANGLE, PCB, THRU-BOLT, CHAMP-LOK		
TOLERANCES UNLESS OTHERWISE SPECIFIED:		APVD W	MILLIMETERS	01SEP05	PRODUCT SPEC		
0 PLC	± -	APPLICATION SPEC		SIZE	CAGE CODE	DRAWING NO	RESTRICTED TO
1 PLC	± -	ANGLES		WEIGHT	-	A1 00779	6368263
2 PLC	± -	FINISH		CUSTOMER DRAWING		SCALE 4:1	SHEET 1 OF 1
3 PLC	± 0.13 [.005]						REV C
4 PLC	± -						