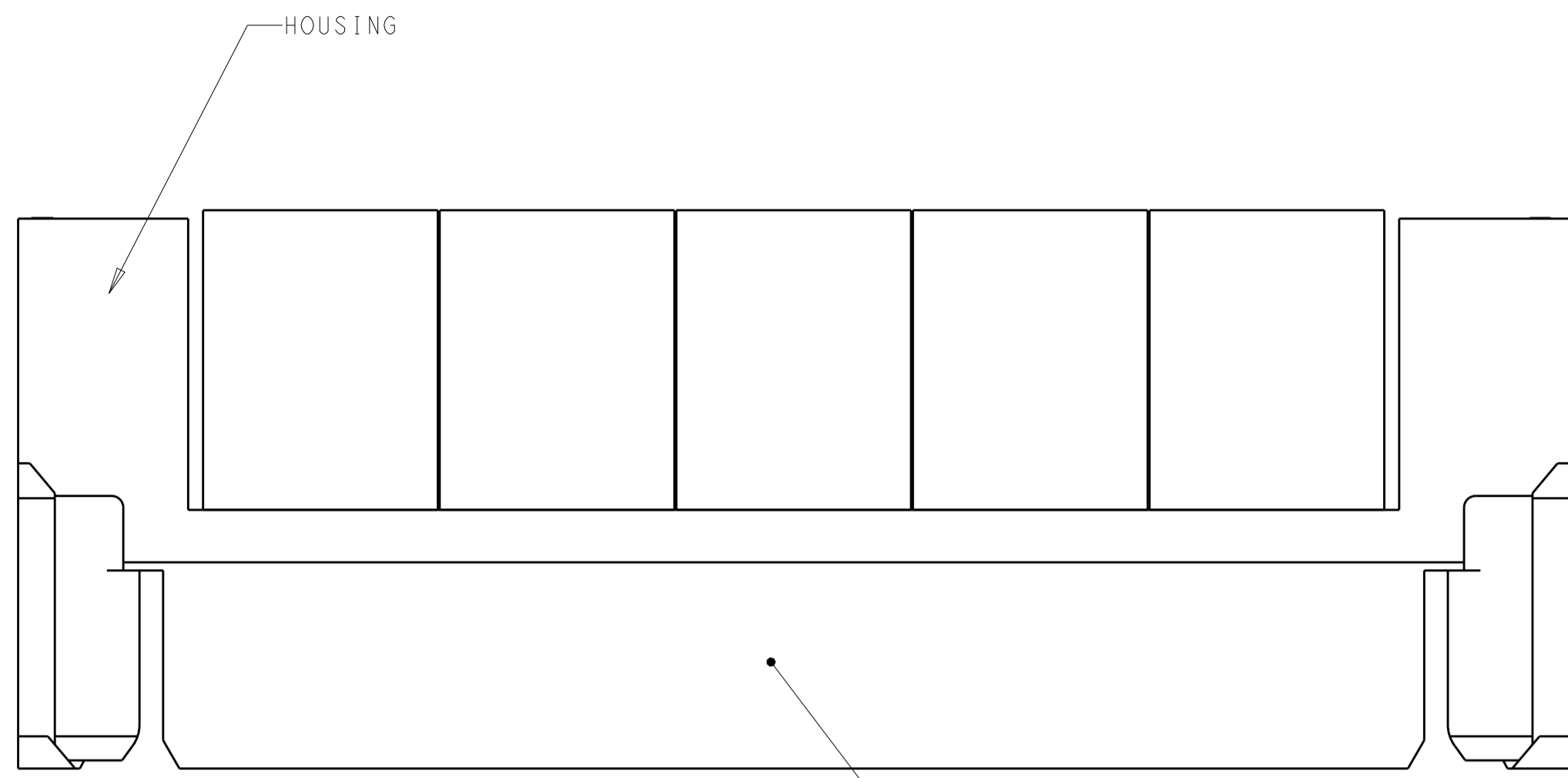
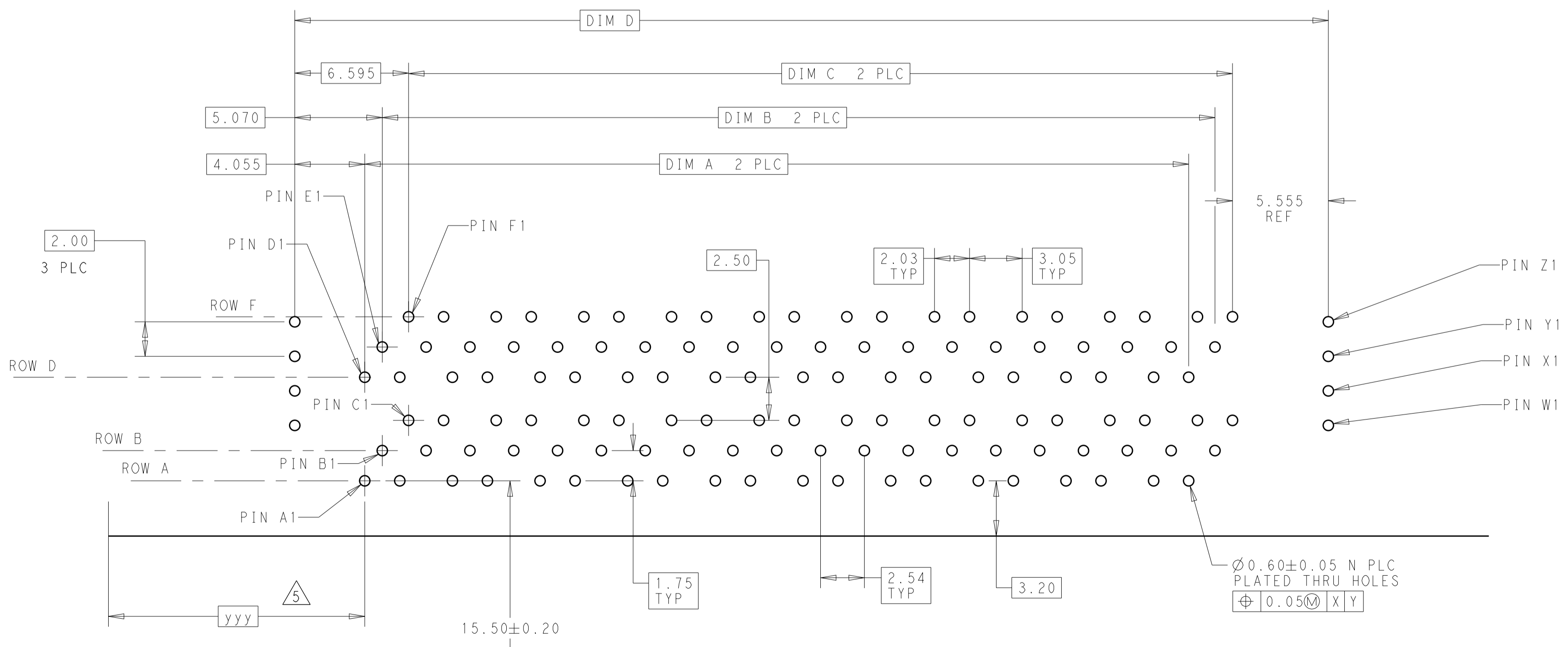
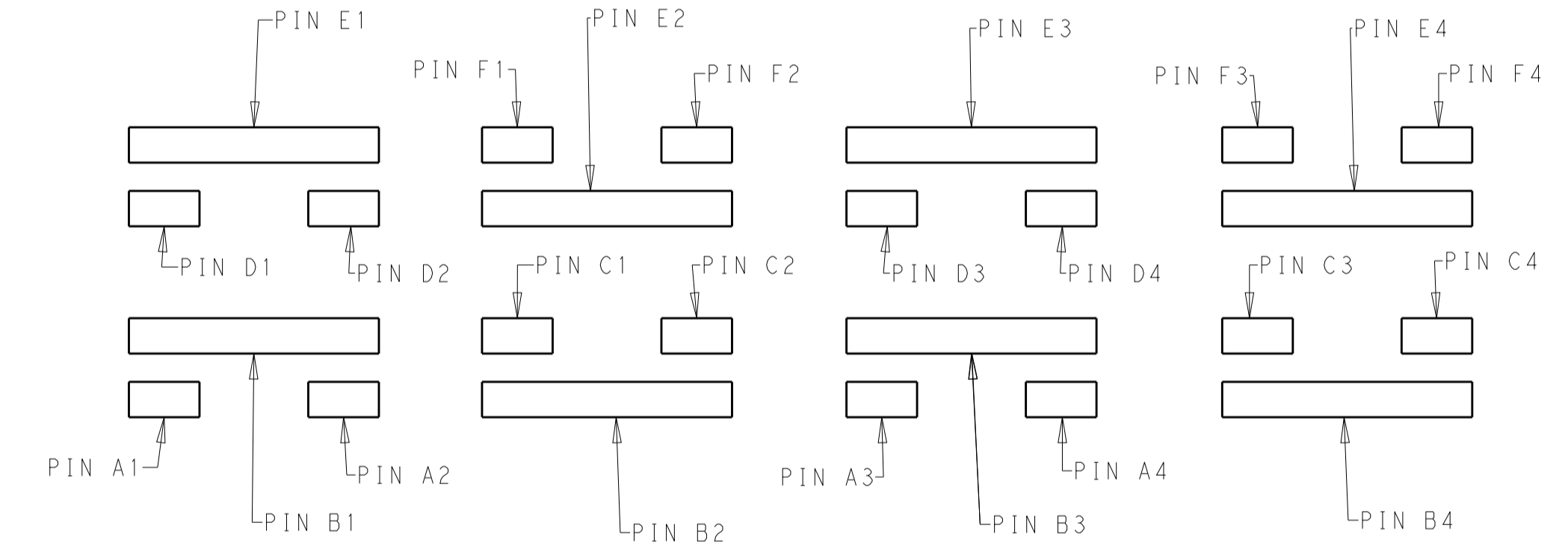
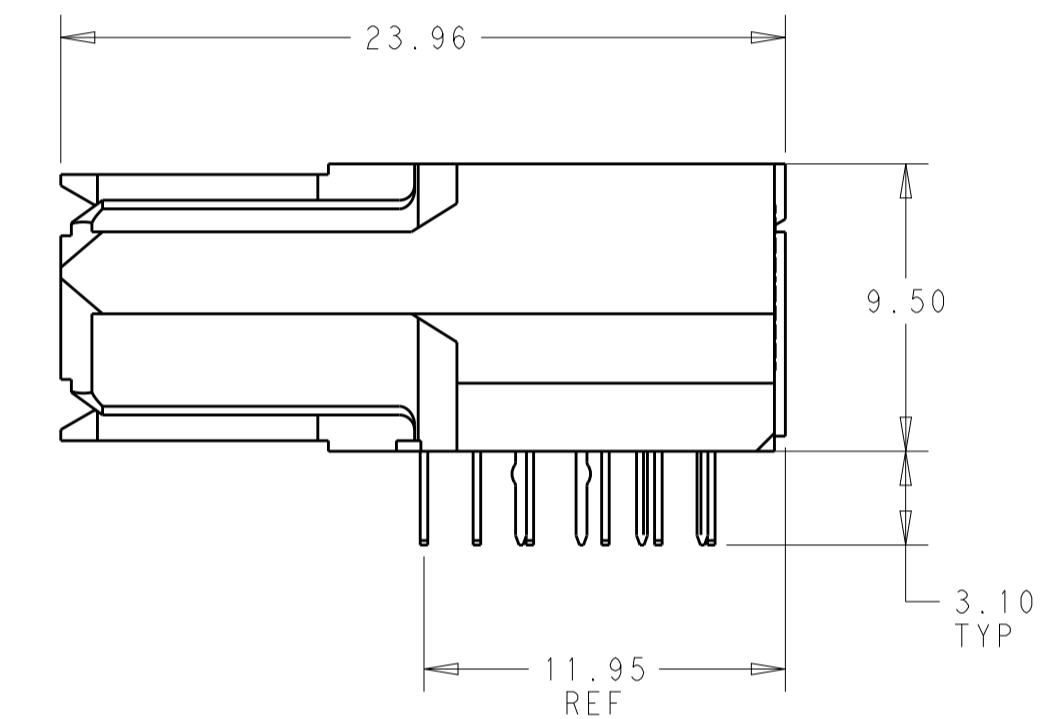
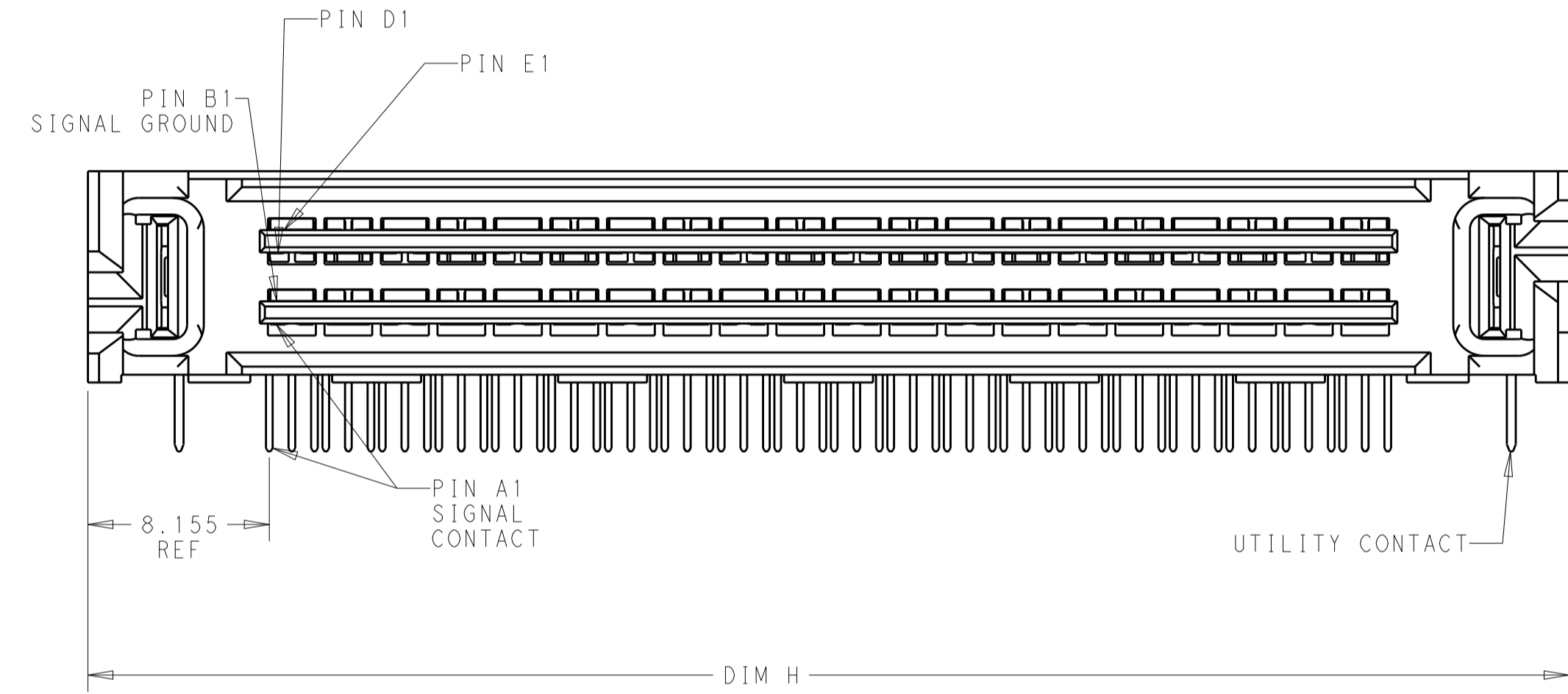


REVISIONS					
P.	LTM	DESCRIPTION	DATE	DWN	APVD
B		REVISED PER ECO-08-009490	6JUN2008	ZMR	EDB
C		REVISED PER ECO-10-012356	14DEC2010	CJV	EJB
D		ECO-15-006497	15APR2016	LL	SH



- 1 HOUSINGS; POLYESTER, UL 94V-0 RATED, NATURAL
SIGNAL AND SIGNAL GROUND CONTACTS: COPPER ALLOY
UTILITY CONTACTS: PHOSPHOR BRONZE
- 2 UTILITY CONTACTS: 0.76um MIN GOLD IN CONTACT AREA,
2.54um MIN TIN ON PCB TAILS, OVER 1.27um MIN NICKEL OVER ALL.
SIGNAL AND SIGNAL GROUND CONTACTS: 0.76um MIN GOLD IN CONTACT AREA,
2.54um MIN TIN ON PCB TAILS, OVER 1.27um MIN NICKEL OVER ALL.
- 3. ROWS A, C, D, AND F ARE SIGNAL CONTACTS. ROWS B AND E ARE SIGNAL GROUND CONTACTS.
- 4 CONNECTOR SIZE CAN ACCOMMODATE INDICATED QUANTITY OF DIFFERENTIAL PAIRS.
- 5 DIMENSIONS PER CUSTOMER BOARD LAYOUT.
- 7 COMPANY LOGO IN APPROXIMATE AREA SHOWN.
- 8 OBSOLETE PART.



BLOCK DIAGRAM MATING FACE CONFIGURATION

8	224	107.24	100.54	88.90	88.39	72	6367590-9
8	200	97.08	90.38	78.74	78.23	64	6367590-8
8	176	86.92	80.22	68.58	68.07	56	6367590-7
8	152	76.76	70.06	58.42	57.91	48	6367590-6
	128	66.60	59.90	48.26	47.75	40	6367590-5
	104	56.44	49.74	38.10	37.59	32	6367590-4
8	80	46.28	39.58	27.94	27.43	24	6367590-3
	56	36.12	29.42	17.78	17.27	16	6367590-2
	32	25.96	19.26	7.62	7.11	8	6367590-1
	N	H DIM	D DIM	B DIM	A OR C DIM	DIFF PAIRS 4	PART NUMBER

THIS DRAWING IS A CONTROLLED DOCUMENT. DWN: W. VAN SCYOC 26AUG05
 CHK: N. REESER 26AUG05
 APVD: E. BRIANT 26AUG05

STE TE Connectivity

NAME: Z-DOK+ HOST BOARD CONNECTOR ASSEMBLY, 8-72 SIGNAL DIFF. PAIR, 1 UTILITY CONTACTS PER SIDE

PRODUCT SPEC: 108-1985
 APPLICATION SPEC: 114-13068

SIZE: A1 CAGE CODE: 6367590
 WEIGHT: -
 MATERIAL: -
 FINISH: -

CUSTOMER DRAWING SCALE: 4:1 SHEET 1 OF 1 REV D

RECOMMENDED PC BOARD FOOTPRINT
 COMPONENT SIDE SHOWN
 SCALE: 5:1