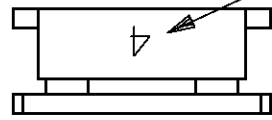


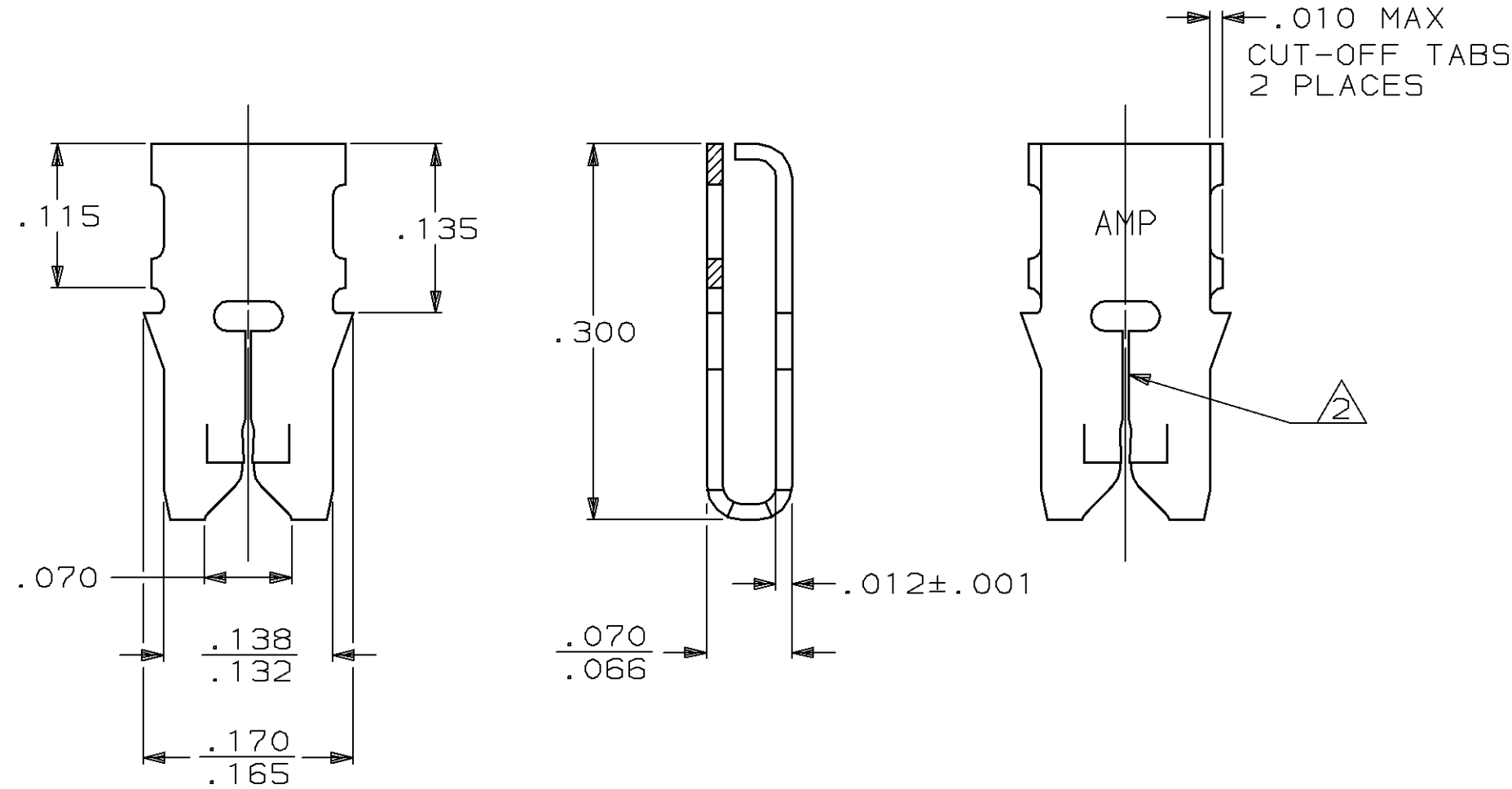
THIS DRAWING IS UNPUBLISHED. RELEASED FOR PUBLICATION, 19
 © COPYRIGHT 19 BY AMP INCORPORATED. ALL INTERNATIONAL RIGHTS RESERVED.

LOC	DIST	P	F	REVISIONS				
AF	50			ZONE	LTR	DESCRIPTION	DATE	APPD
					B	REV ECN AF-8102	10-6-92	LAM MSF

IDENTIFICATION NUMBER 4 FOR MAGNET WIRE RANGE



- ① MAG-MATE CAVITY SPECIFICATION.
- ② SLOT TERMINATES #33-#31 COPPER MAGNET WIRE EITHER SINGLE OR DOUBLE OF THE SAME SIZE.



63531-1

PART NO

DO NOT SCALE PRINT. UNLESS SPECIFIED DIMENSIONS IN INCHES TOLERANCES ON: 2 PLC DEC ± - 3 PLC DEC ± .010 ANGLES ± - MATERIAL #4 HARD BRASS FINISH .000080 MIN TIN PER MIL-T-10727	DR 3/30/89 MICHAEL S. FEHER	AMP AMP INCORPORATED Harrisburg, Pa. 17105		
	CHK 4/3/89 JEFF R. RUTH			
	APPD 4/3/89 NELSON E. NEFF	NAME		
	APPD 4/4/89 CHARLES G. ATHERTON	TERMINAL, SPLICE, MAG-MATE™, LOOSE PIECE		
	PRODUCT SPEC -	SIZE B	FSCM NO 00779	DRAWING NO 63531
	APPLICATION SPEC CP77-7892 ①	SCALE 8:1	SHEET 1 OF 1	
	WEIGHT -			

CUSTOMER DRAWING