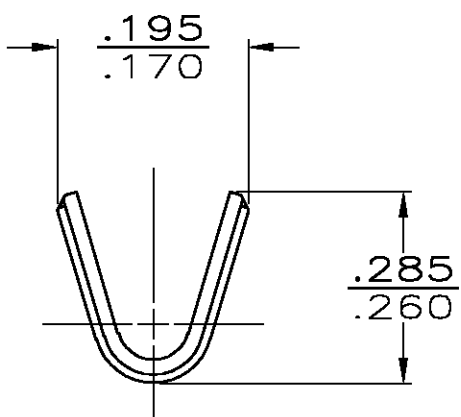
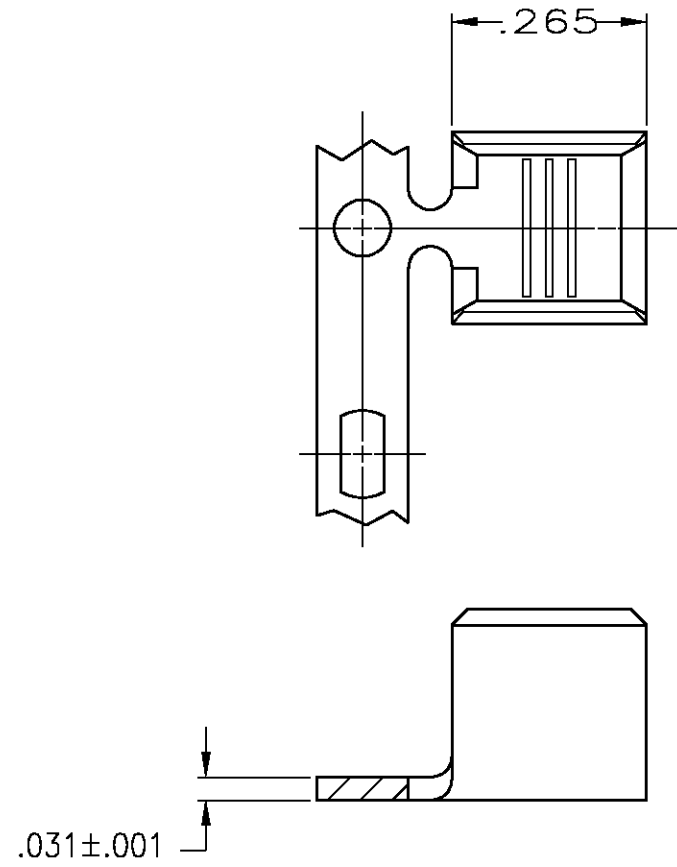


THIS DRAWING IS UNPUBLISHED. RELEASED FOR PUBLICATION
 © COPYRIGHT BY TYCO ELECTRONICS CORPORATION. ALL RIGHTS RESERVED.

LOC	DIST	REVISIONS				
P	LTR	DESCRIPTION	DATE	DWN	APVD	
AF	50	C	REVISED PER 0G3A-0016-03	14FEB03	JR GP	

- 1 CONTINUOUS STRIP ON REELS.
- 2 CRIMP WIDTH: .180 F TYPE
 CRIMP HEIGHT: $(\pm.002) = (\text{TOTAL CMA} + 28,300) / 289,800$
 FOR APPLICATOR INFORMATION CALL: 1-800-722-1111
 FOR PRODUCT INFORMATION CALL: 1-800-522-6752



9,000-16,000	63414-1
CMA WIRE SIZE	PART NUMBER

THIS DRAWING IS A CONTROLLED DOCUMENT.		DWN 19DEC2002 MICHAEL S. FEHER	tyco Tyco Electronics Corporation	
DIMENSIONS: INCHES		CHK 19DEC2002 GARY PORTA	Electronics Harrisburg, PA 17105-3608	
TOLERANCES UNLESS OTHERWISE SPECIFIED:		APVD 19DEC2002 GARY PORTA	NAME -	
0 PLC ± -		PRODUCT SPEC	-	
1 PLC ± -		APPLICATION SPEC	-	
2 PLC ± -		WEIGHT	-	
3 PLC ± .010		SIZE	CAGE CODE	DRAWING NO
4 PLC ± -		A3	00779	63414
ANGLES ± -		RESTRICTED TO		-
MATERIAL	FINISH	SCALE		SHEET
#3 HARD STEEL	.000080 MIN TIN	4:1		1 OF 1
CUSTOMER DRAWING		REV		C