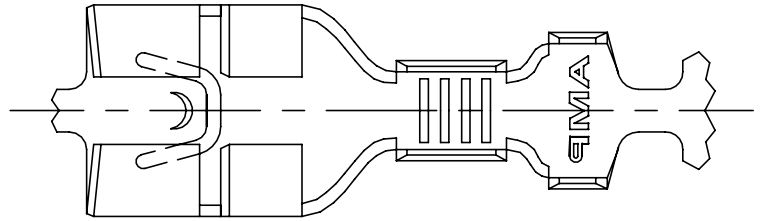
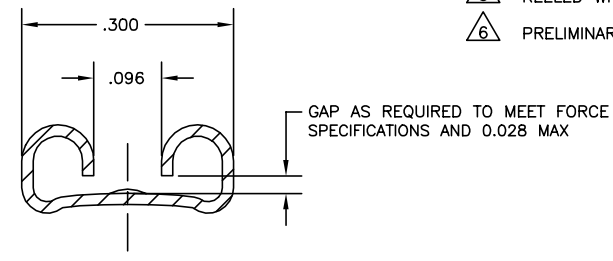


THIS DRAWING IS UNPUBLISHED. RELEASED FOR PUBLICATION
 © COPYRIGHT - By - ALL RIGHTS RESERVED.

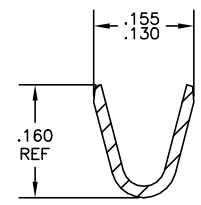
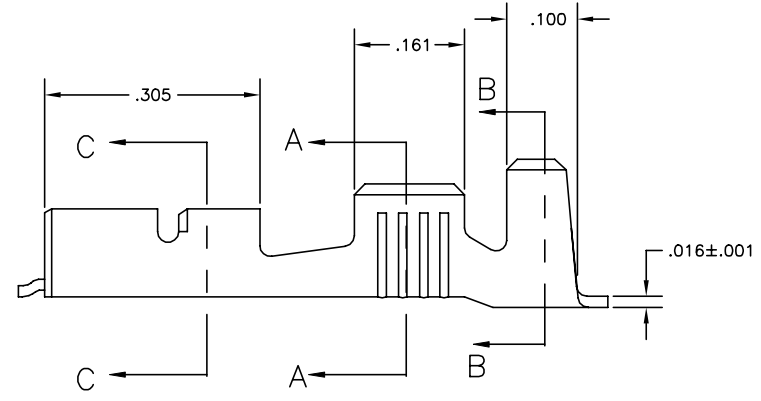
REVISIONS					
P	LTR	DESCRIPTION	DATE	DMN	APFD
R1		REVISED PER ECR-20-009164	14AUG2020	MK	DH



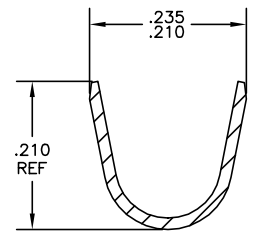
- 1 CONTINUOUS STRIP ON REELS
- △1 ACCEPTS #18-#14 AWG WIRE SIZE
- 3 INSULATION RANGE IS .120-.170 DIA
- 4 MATING TAB THK IS 0.033-0.030
- △5 REELED WITH INTERLEAVING PAPER
- △6 PRELIMINARY - NOT FOR PRODUCTION



SECTION C-C



SECTION A-A



SECTION B-B

△5	STANDARD	.000080 MIN TIN	△6	1-63306-0
OBSOLETE	REVERSE	-		63306-3
	STANDARD	TIN		63306-2
	STANDARD	-		63306-1
	REELING	FINISH		PART NO

THIS DRAWING IS A CONTROLLED DOCUMENT. DMN: J.R. RUTH 20JUN02
 CHK: P. DESANTIS 20JUN02
 APFD: P. DESANTIS 20JUN02

TE TE Connectivity

RECEPTACLE, FASTON, .250 SERIES

SIZE: A2 CAGE CODE: 00779 DRAWING NO: 63306 RESTRICTED TO: -

MATERIAL: BRASS FINISH: SEE TABLE WEIGHT: - SCALE: 8:1 SHEET: 1 of 1 REV: R1

CUSTOMER DRAWING