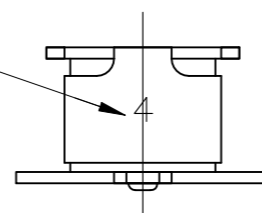


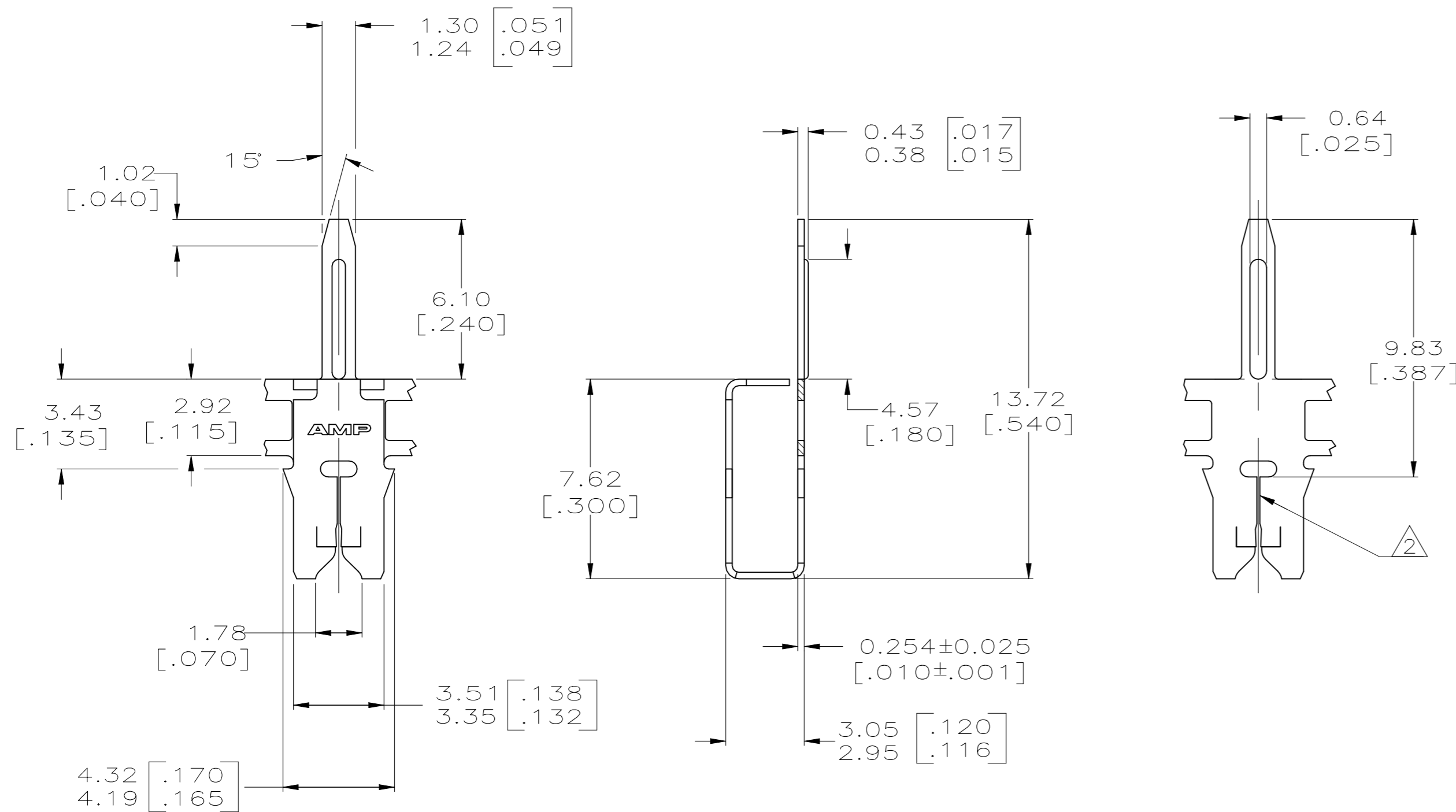
THIS DRAWING IS UNPUBLISHED. RELEASED FOR PUBLICATION  
 © COPYRIGHT - TE Connectivity Ltd. ALL RIGHTS RESERVED.

REVISIONS				
P	LTR	DESCRIPTION	DATE	APVD
F1		REVISED PER ECR-22-148348	23AUG2022	JJ CJH

IDENTIFICATION NUMBER 4 FOR MAGNET WIRE RANGE



- 1 CONTINUOUS STRIP ON REELS WITH TERMINALS LOCATED ON 5.59±0.08 [.220±.003] CENTERS.
- 2 SLOT TERMINATES EITHER A SINGLE OR DOUBLE MAGNET WIRES OF THE SAME TYPE AND SIZE, COPPER RANGE: 0.18-0.23mm [#33-#31] AWG.
- 3 0.002032 [.000080] MIN TIN



63253-1  
PART NUMBER

**OBSOLETE**

THIS DRAWING IS A CONTROLLED DOCUMENT.		DWN 01/AUG/94 MICHAEL S. FEHER	TE Connectivity Ltd.	
		CHK 02/AUG/94 RAY BUCHHEISTER		
DIMENSIONS: INCHES		TOLERANCES UNLESS OTHERWISE SPECIFIED:		NAME
0 PLC ± - 1 PLC ± - 2 PLC ± 0.25 [.010] 3 PLC ± - 4 PLC ± - ANGLES ± 1°		PRODUCT SPEC 108-2012 APPLICATION SPEC 114-2046		POST, TERMINAL, MAG-MATE
MATERIAL H04 BRASS	FINISH 3	WEIGHT -	SIZE A2	CAGE CODE 00779
CUSTOMER DRAWING		SCALE 6:1	DRAWING NO C-63253	RESTRICTED TO -
		SHEET 1 of 1	REV F1	