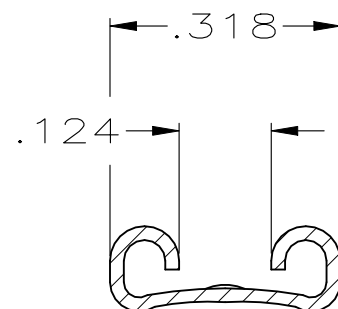
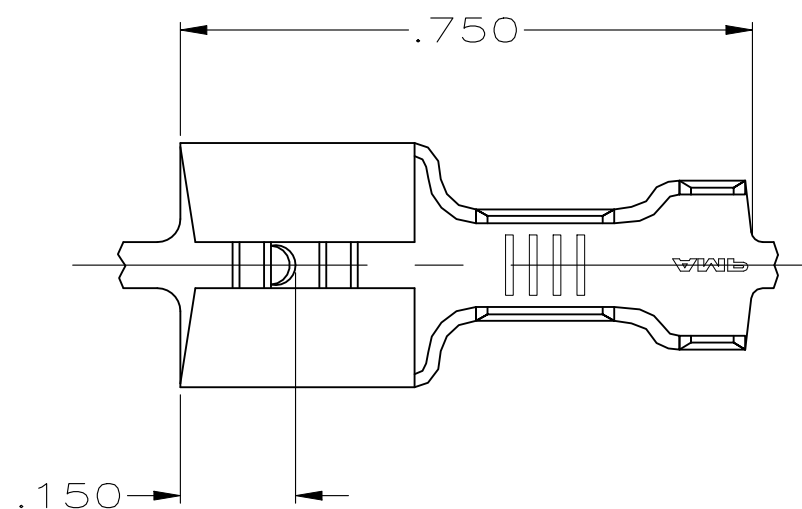
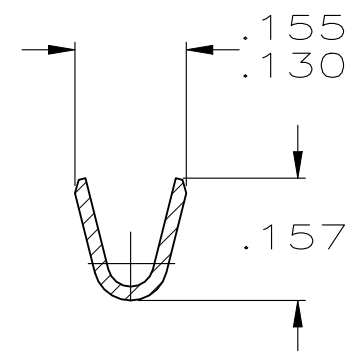
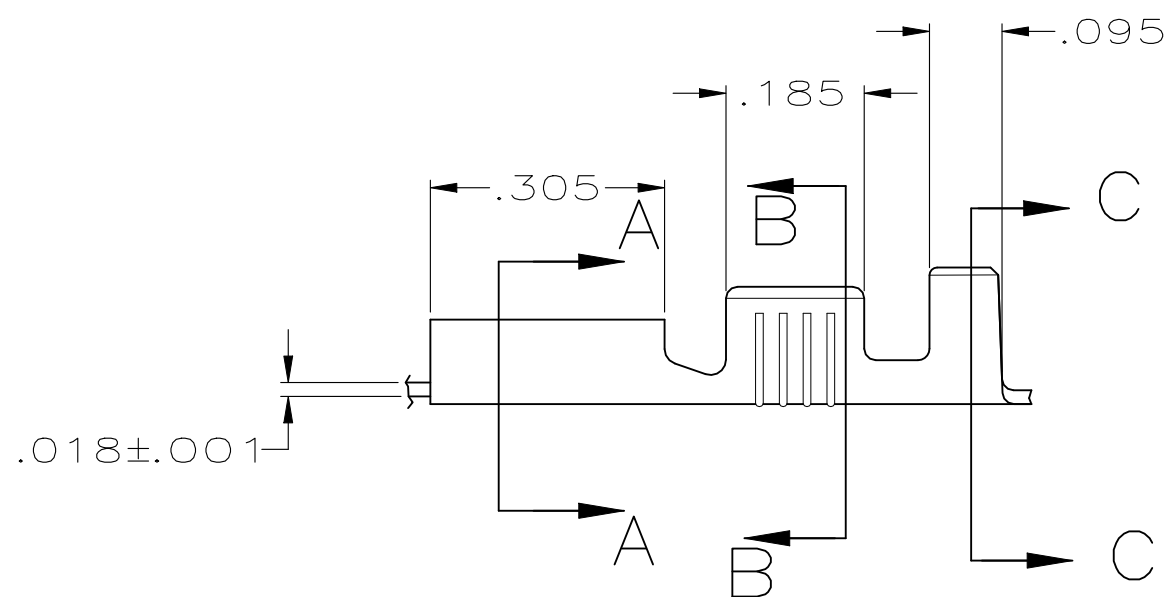


REVISIONS					
P	LTR	DESCRIPTION	DATE	DWN	APVD
	E1	REVISED PER ECR-23-170760	22JAN2024	DB	RE

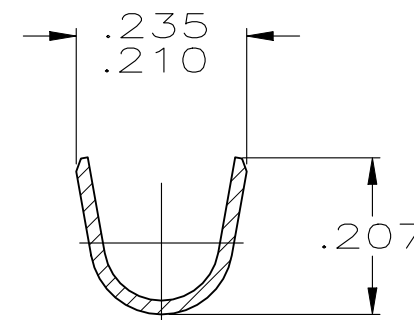
- 1 CONTINUOUS STRIP ON REELS.
- 2 ACCEPTS $.032 \pm .001$ THICK MATING TAB
- 3 ACCEPTS #18-#14 AWG WIRE SIZE.
- 4 INSULATION RANGE TO BE $.120-.170$ DIA
- 5 FEED TO BE $.840 \pm .005$.



SECTION A-A



SECTION B-B



SECTION C-C

OBSOLETE	TIN	62500-2
	-	62500-1
	FINISH	PART NO

THIS DRAWING IS A CONTROLLED DOCUMENT.		DWN JR RUTH 8/30/95	TE Connectivity														
DIMENSIONS: INCHES		CHK MS FEHER 8/30/95															
TOLERANCES UNLESS OTHERWISE SPECIFIED:		APVD J HUZVAR 8/30/95	NAME														
<table border="0"> <tr><td>0 PLC</td><td>± -</td></tr> <tr><td>1 PLC</td><td>± -</td></tr> <tr><td>2 PLC</td><td>± -</td></tr> <tr><td>3 PLC</td><td>± .015</td></tr> <tr><td>4 PLC</td><td>± -</td></tr> <tr><td>ANGLES</td><td>± -</td></tr> </table>		0 PLC	± -	1 PLC	± -	2 PLC	± -	3 PLC	± .015	4 PLC	± -	ANGLES	± -	PRODUCT SPEC -	RECEPTACLE, FASTON, .250 SERIES		
0 PLC	± -																
1 PLC	± -																
2 PLC	± -																
3 PLC	± .015																
4 PLC	± -																
ANGLES	± -																
MATERIAL -		FINISH -	APPLICATION SPEC -	SIZE A3	CAGE CODE 00779	DRAWING NO C-62500	RESTRICTED TO -										
CUSTOMER DRAWING			WEIGHT 0.000000	SCALE 4:1	SHEET 1 OF 1	REV E1											