

THIS DRAWING IS UNPUBLISHED.

RELEASED FOR PUBLICATION

20

© COPYRIGHT 2021

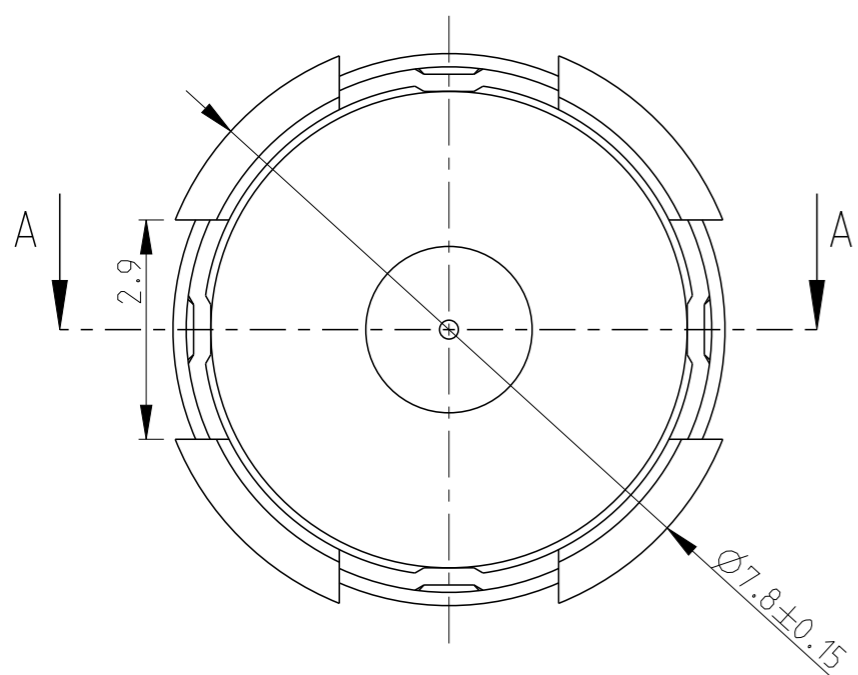
TE Connectivity. All Rights Reserved.

ALL RIGHTS RESERVED.

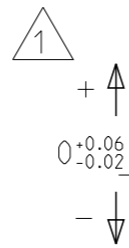
LOC GW DIST 00

REVISIONS

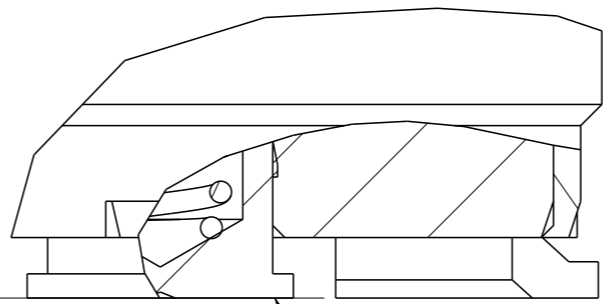
P	LTR	DESCRIPTION	DATE	DWN	APVD
B		ADD PN FOR REEL PACKAGING	25AUG2021	PZ	WKH
B1		ECR-21-115370	29SEP2021	PZ	WKH
B2		ECR-22-139977	24MAY2022	PZ	WKH
B3		ECR-22-153237	22SEP2022	PZ	WKH



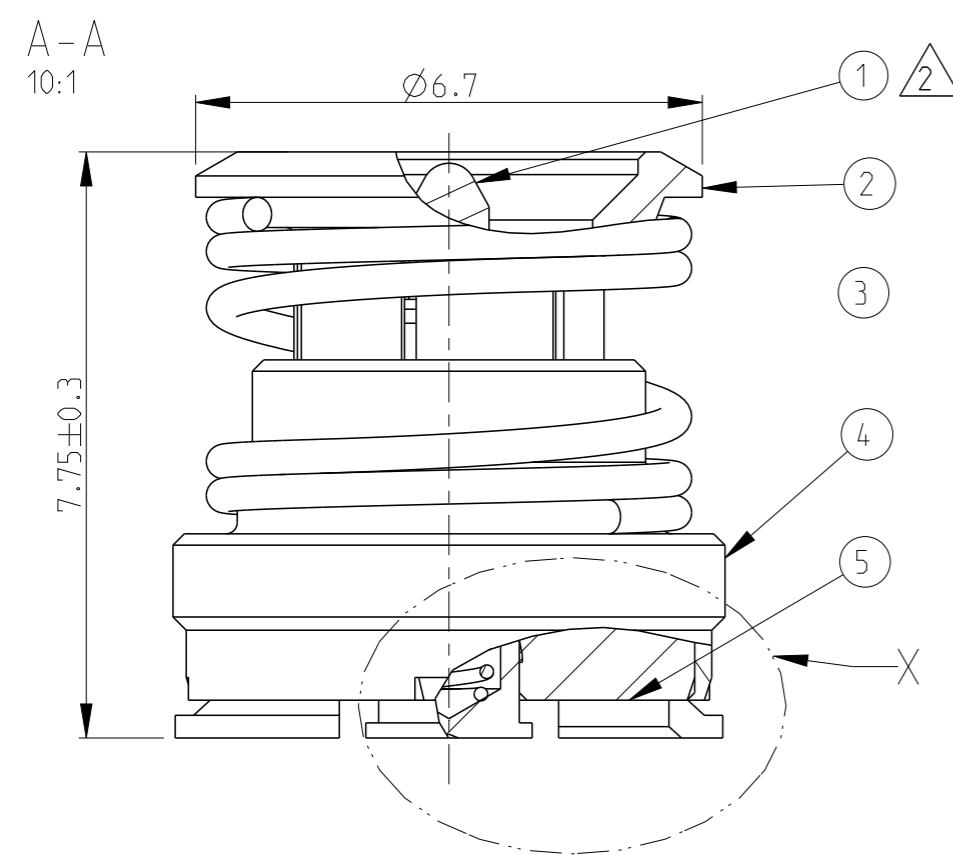
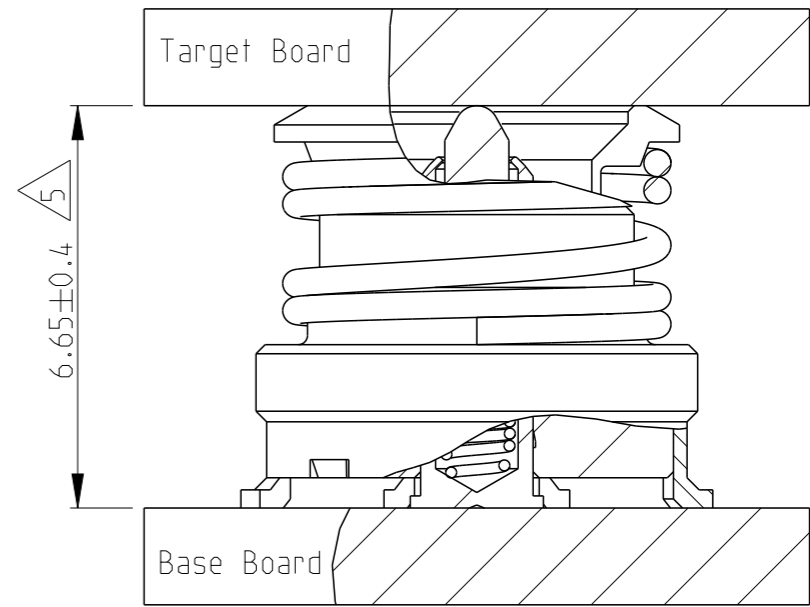
X  
16:1



REFERENCE PLANE



MATED BETWEEN BOARDS



THIS DRAWING IS A CONTROLLED DOCUMENT.

DWN R. Luppi 25AUG2021

CHK D. Bozzer 04JAN05

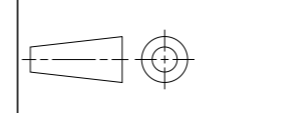
APVD -



TE Connectivity

DIMENSIONS: mm

TOLERANCES UNLESS OTHERWISE SPECIFIED:



0 PLC	±
1 PLC	±0.5
2 PLC	±0.13
3 PLC	±0.013
4 PLC	±0.0001
ANGLES	±

MATERIAL TBD

FINISH -

PRODUCT SPEC 108-71060

APPLICATION SPEC -

WEIGHT -

NAME BOARD TO BOARD CONNECTOR 6.65MM HEIGHT

SIZE A3	CAGE CODE 00779	DRAWING NO C-619135	RESTRICTED TO
---------	-----------------	---------------------	---------------

CUSTOMER DRAWING; RESTRICTED CUSTOMER

SCALE 8:1 SHEET 1 OF 4 REV B3

4

3

2

1

THIS DRAWING IS UNPUBLISHED.

RELEASED FOR PUBLICATION

20

© COPYRIGHT 2021

TE Connectivity. All Rights Reserved.

ALL RIGHTS RESERVED.

LOC

DIST

REVISIONS

GW

00

P

LTR

DESCRIPTION

DATE

DWN

APVD

- SEE SHEET 1

1 POSITION OF CENTER CONTACT

2 PLATING 0.15 μm Au OVER NiP

3 PLATING MIN 0.3 μm Au OVER NiP,

4 BULK QTY CONNECTORS PACKED IN PLASTIC BAG

5 DISTANCE BETWEEN PRINTED CIRCUIT BOARDS

6 MISALIGNMENT BETWEEN CONNECTOR AXIS AND TARGET LAYOUT ON TARGET BOARD: MAX 0.8 mm

7 ANGLE BETWEEN PRINTED CIRCUIT BOARDS

8 RECOMMENDED LAYOUT ON BASE BOARD

9 RECOMMENDED TARGET LAYOUT ON TARGET BOARD

1	-	-	6	CAP	PTFE	
1	1	1	5	DIELECTRIC	PCT / PEEK	
1	1	1	4	OUTER SHELL	CuZn	2
1	1	1	3	SPRING	STAINLESS STEEL	
1	1	1	2	CONTACT RING	CuSn	2
1	1	1	1	CENTER CONTACT ASSEMBLY	CuZn, STAINLESS STEEL	2 3
6--1	5--1	-1	ITEM	DESCRIPTION	MATERIAL	PLATING
12	10	4	ORDER N°	ORDER N°	ORDER N°	

THIS DRAWING IS A CONTROLLED DOCUMENT.

DWN R. Luppi 25AUG2021

CHK D. Bozzer 04JAN05

APVD -

PRODUCT SPEC

108-71060

APPLICATION SPEC

WEIGHT -

NAME

BOARD TO BOARD CONNECTOR  
6.65MM HEIGHT

SIZE CAGE CODE DRAWING NO RESTRICTED TO

A3 00779 C-619135

CUSTOMER DRAWING; RESTRICTED CUSTOMER

SCALE 8:1

SHEET 2 OF 4

REV B3

DIMENSIONS:

mm

TOLERANCES UNLESS OTHERWISE SPECIFIED:

0 PLC	±
1 PLC	±0.5
2 PLC	±0.13
3 PLC	±0.013
4 PLC	±0.0001
ANGLES	±

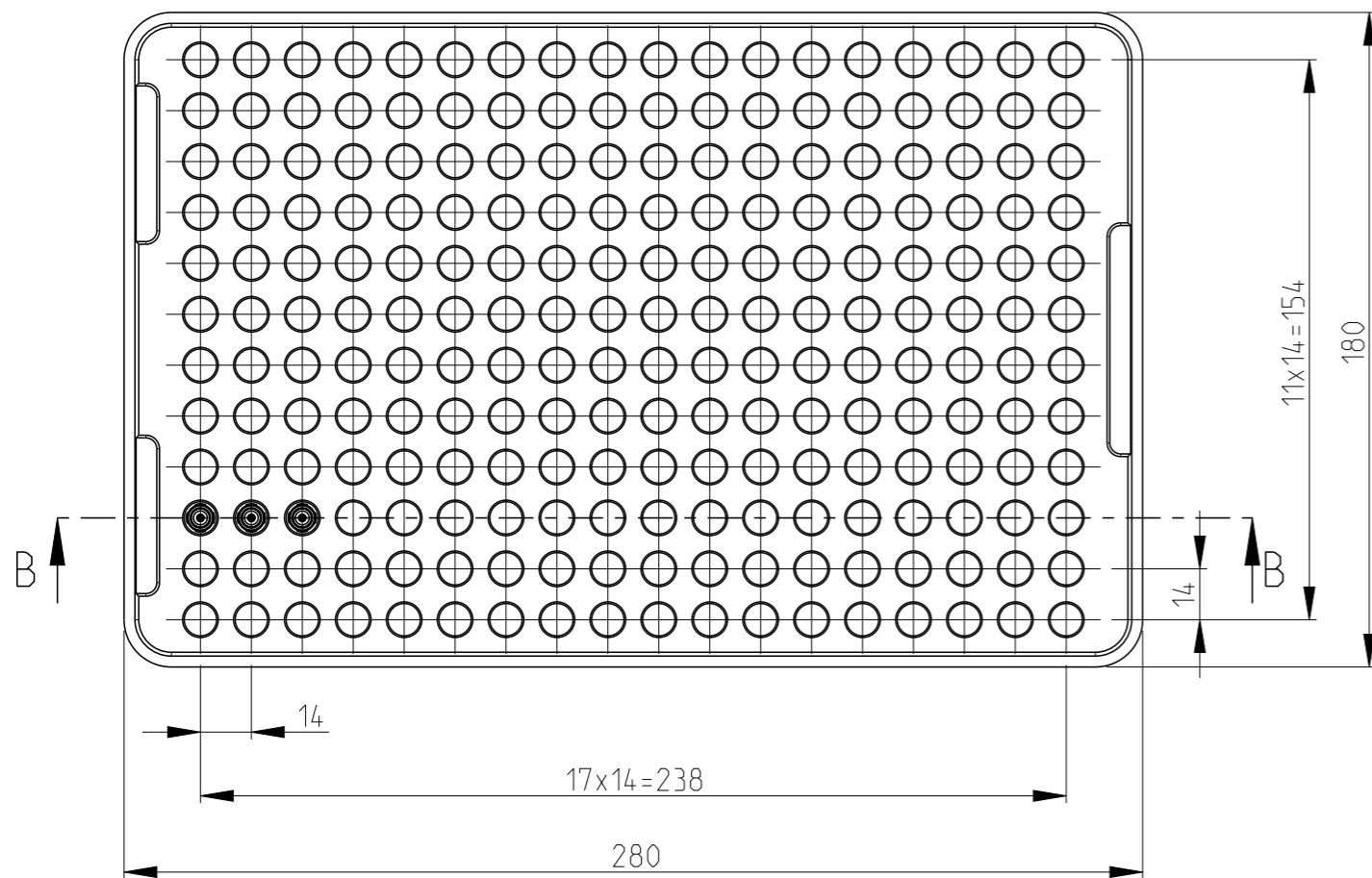
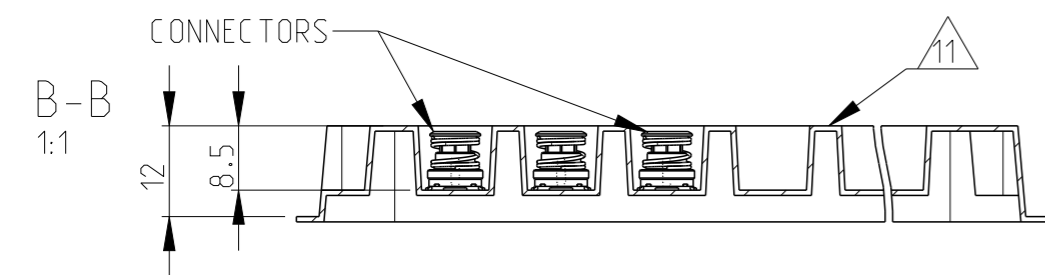
FINISH -

MATERIAL TBD

TE Connectivity

1470-19 (3/11)

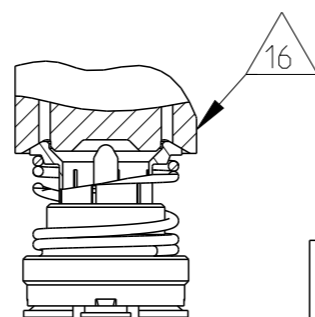
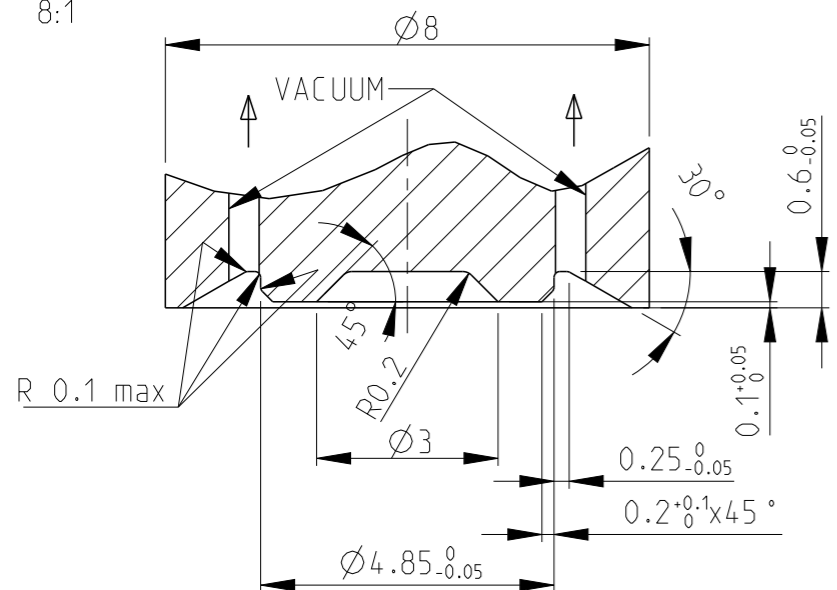
LOC	DIST	REVISIONS				
P	LTR	DESCRIPTION	DATE	DWN	APVD	
GW	00	-	SEE SHEET 1	-	-	



- △10 PACKAGING:  
-216 CONNECTORS PER TRAY  
-10 TRAYS PER SHIPPING BOX  
-SHIPPING BOX DIMENSIONS (LxBxH): 287x187x200
- △11 ANTISTATIC MATERIAL
- △12 PACKAGING IN TAPE AND REEL:  
-350 CONNECTORS PER REEL  
-DETAIL INFORMATION PLEASE SEE SHEET4
- △13 CONTACT FORCE FOR CENTER CONDUCTOR:  
F MAX. = 2.8 N (Total length compressed at 6.25 mm)
- △14 CONTACT FORCE FOR CONTACT RING:  
F MAX. = 5.3 N (Total length compressed at 6.25 mm)
- △15 RECOMENDED PCB CHARACTERISTICS :  
- PLATING Au , SURFACE ROUGHNESS Rz4 MAX.  
- PCB MATERIAL FR4  
- PCB THICKNESS MIN. 0.8 mm
- △16 RECOMENDED NOZZLE DESIGN

NOZZLE DETAIL 8:1

NOZZLE DETAIL 3:1



THIS DRAWING IS A CONTROLLED DOCUMENT.		DWN R. Luppi 25AUG2021	TE Connectivity													
DIMENSIONS: mm		CHK D. Bozzer 04JAN05														
TOLERANCES UNLESS OTHERWISE SPECIFIED:		APVD -	NAME BOARD TO BOARD CONNECTOR 6.65MM HEIGHT													
<table border="0"> <tr><td>0 PLC</td><td>±</td></tr> <tr><td>1 PLC</td><td>±0.5</td></tr> <tr><td>2 PLC</td><td>±0.13</td></tr> <tr><td>3 PLC</td><td>±0.013</td></tr> <tr><td>4 PLC</td><td>±0.0001</td></tr> <tr><td>ANGLES</td><td>±</td></tr> </table>		0 PLC	±	1 PLC	±0.5	2 PLC	±0.13	3 PLC	±0.013	4 PLC	±0.0001	ANGLES	±	PRODUCT SPEC 108-71060	SIZE A3	
0 PLC	±															
1 PLC	±0.5															
2 PLC	±0.13															
3 PLC	±0.013															
4 PLC	±0.0001															
ANGLES	±															
MATERIAL TBD		APPLICATION SPEC -	CAGE CODE 00779	DRAWING NO C-619135												
FINISH -		WEIGHT -	RESTRICTED TO													
CUSTOMER DRAWING;RESTRICTED CUSTOMER			SCALE 1:2	SHEET 3 OF 4 REV B3												

THIS DRAWING IS UNPUBLISHED.

RELEASED FOR PUBLICATION

20

© COPYRIGHT 2021

TE Connectivity. All Rights Reserved.

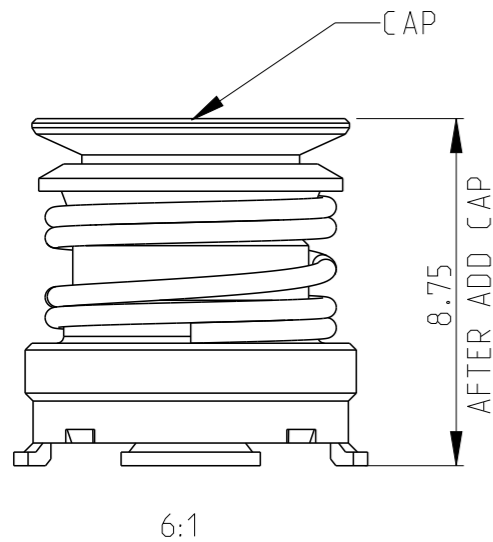
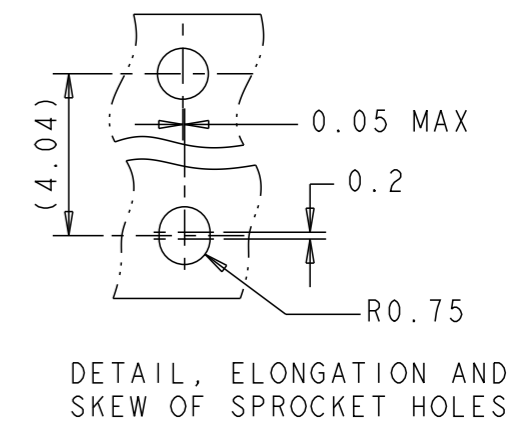
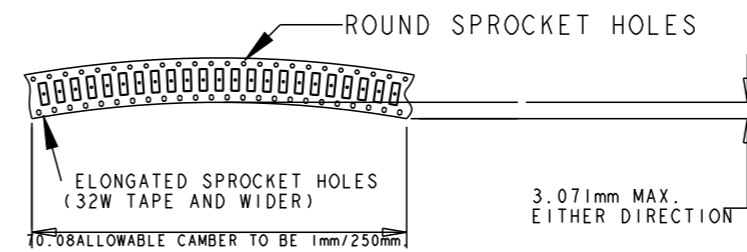
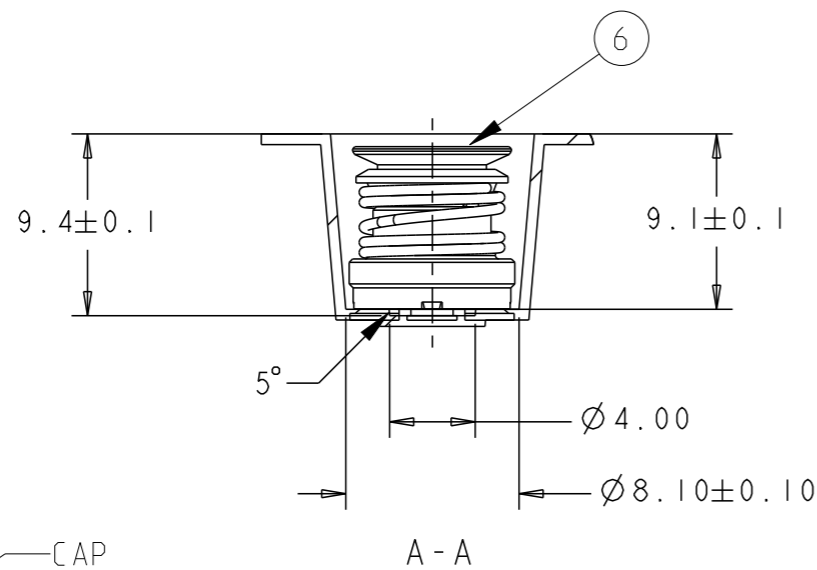
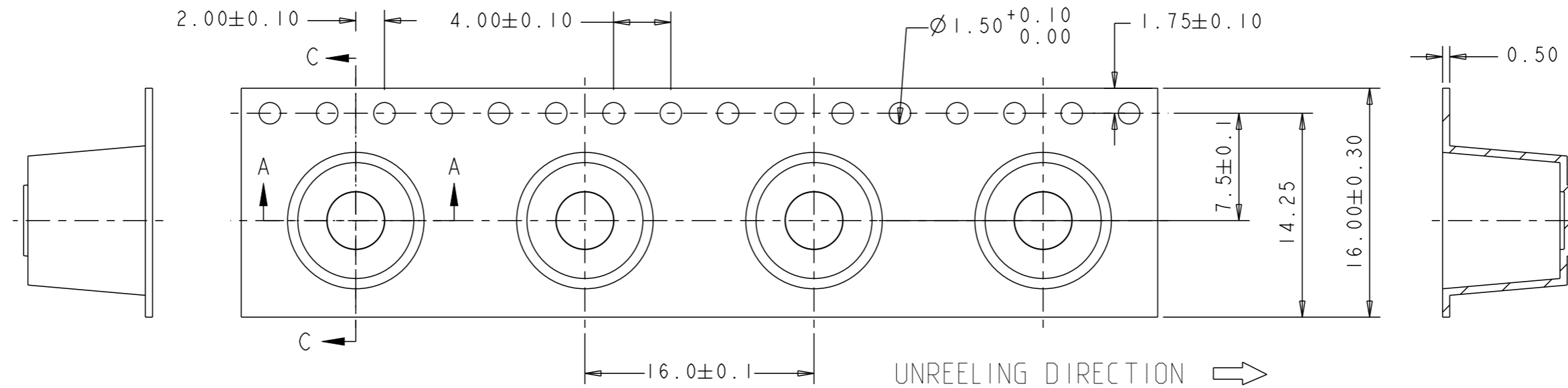
ALL RIGHTS RESERVED.


LOC DIST  
GW 00

REVISIONS

P	LTR	DESCRIPTION	DATE	DWN	APVD
-	-	SEE SHEET 1	-	-	-

# PACKAGING FOR REEL TAPE FOR 6-619135-1



THIS DRAWING IS A CONTROLLED DOCUMENT.		DWN R. Luppi 25AUG2021	 TE Connectivity			
DIMENSIONS: mm		CHK D. Bozzer 04JAN05				
TOLERANCES UNLESS OTHERWISE SPECIFIED:		APVD -	NAME BOARD TO BOARD CONNECTOR 6.65MM HEIGHT			
0 PLC ±	1 PLC ±0.5	PRODUCT SPEC 108-71060	SIZE A3	CAGE CODE 00779	DRAWING NO C-619135	RESTRICTED TO
2 PLC ±0.13	3 PLC ±0.013	APPLICATION SPEC -	SCALE 8:1		SHEET 4 OF 4	REV B3
4 PLC ±0.0001	ANGLES ±	WEIGHT -	CUSTOMER DRAWING; RESTRICTED CUSTOMER			
MATERIAL TBD	FINISH -					