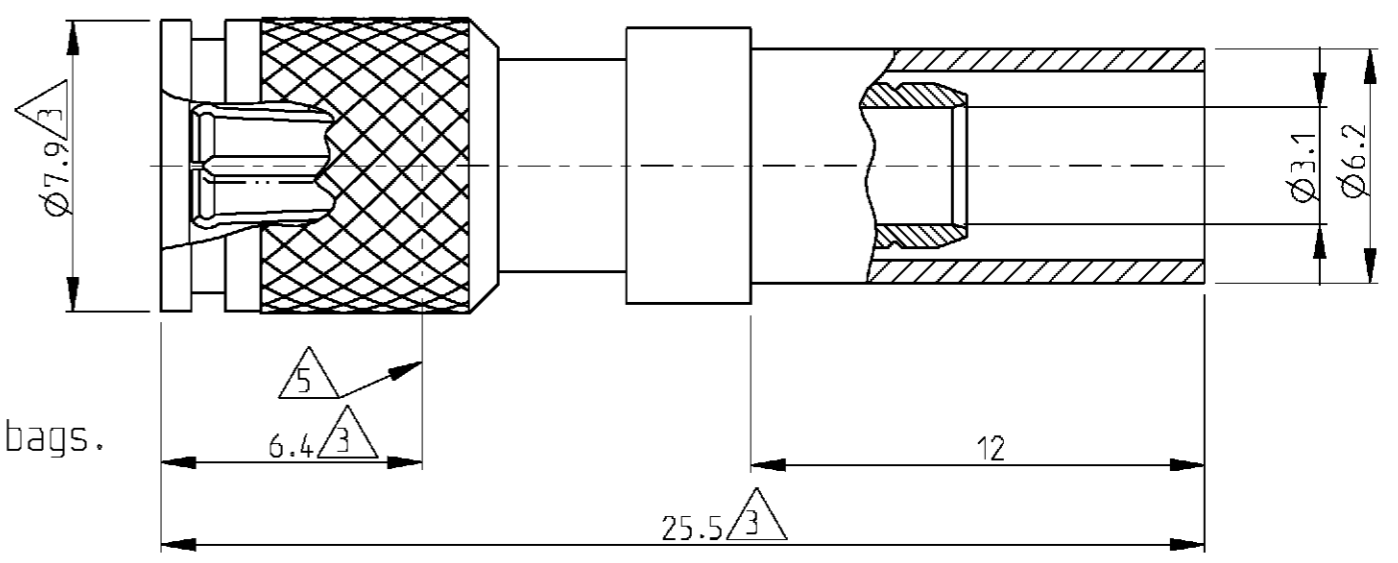


THIS DRAWING IS UNPUBLISHED. RELEASED FOR PUBLICATION 2000
 © COPYRIGHT 2000 BY TYCO ELECTRONICS CORPORATION. ALL RIGHTS RESERVED.

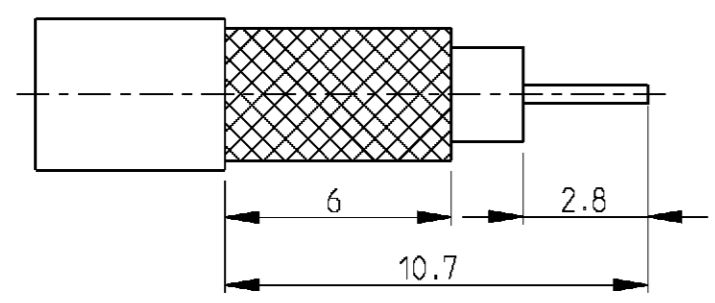
LOC	DIST	REVISIONS						
		P	LTR	DESCRIPTION	DATE	DWN	APVD	
GW	-		01	-		29NOV2000	BL	RL
			02	-		03MAY2001	BL	RL
			03	tentative		01JUN2001	BL	RL
			04	SR10-0357-02		25JUL2002	KM	RL

- Dimensions of mating face according to IEC 169-29 and CECC 22230
- Full Crimp version : Center conductor sq 1.1 or 8 indent
Outer conductor hex 5.4

- △3 Max. dimensions
- △4 DIN ISO 8015 ; DIN ISO 2768-m-R
- △5 Mechanical reference plane
- △6 Packaging : 250 pieces per box.
Body and loose parts seperately packed into plastic bags.



Cable preparation for cable WP93385L2



Cross reference table					
Part number	Cable type	Description	Material	Plating	Packaging
619085-1	WP 93385 L2	Body	Brass	1 µm Au min in contact area	△6
		Center conductor	CuBe	-	
		Dielectric	PTFE	1 µm Au min in contact area	

<small>THIS DRAWING IS A CONTROLLED DOCUMENT FOR TYCO ELECTRONICS CORPORATION. IT IS SUBJECT TO CHANGE AND THE CONTROLLING ENGINEERING ORGANIZATION SHOULD BE CONTACTED FOR THE LATEST REVISION.</small>		DWN B Lenvain 22NOV2000 CHK F. Hellin 29NOV2000 APVD R. Leeman 29NOV2000		tyco Electronics Tyco Electronics Oostkamp - Belgium	
DIMENSIONS: mm 		TOLERANCES UNLESS OTHERWISE SPECIFIED: 0 PLC ± 1 PLC ± 2 PLC ± 3 PLC ± 4 PLC ± ANGLES ±		NAME 1.0/2.3 Cable plug Snap-Lock; Zo=50 Ohm for cable WP93385L2	
MATERIAL - FINISH -		PRODUCT SPEC - APPLICATION SPEC 114-90009 WEIGHT -		SIZE A3 CAGE CODE 00779 DRAWING NO 619085 RESTRICTED TO -	
CUSTOMER DRAWING				SCALE 5/1 SHEET 1 OF 1 REV 04	