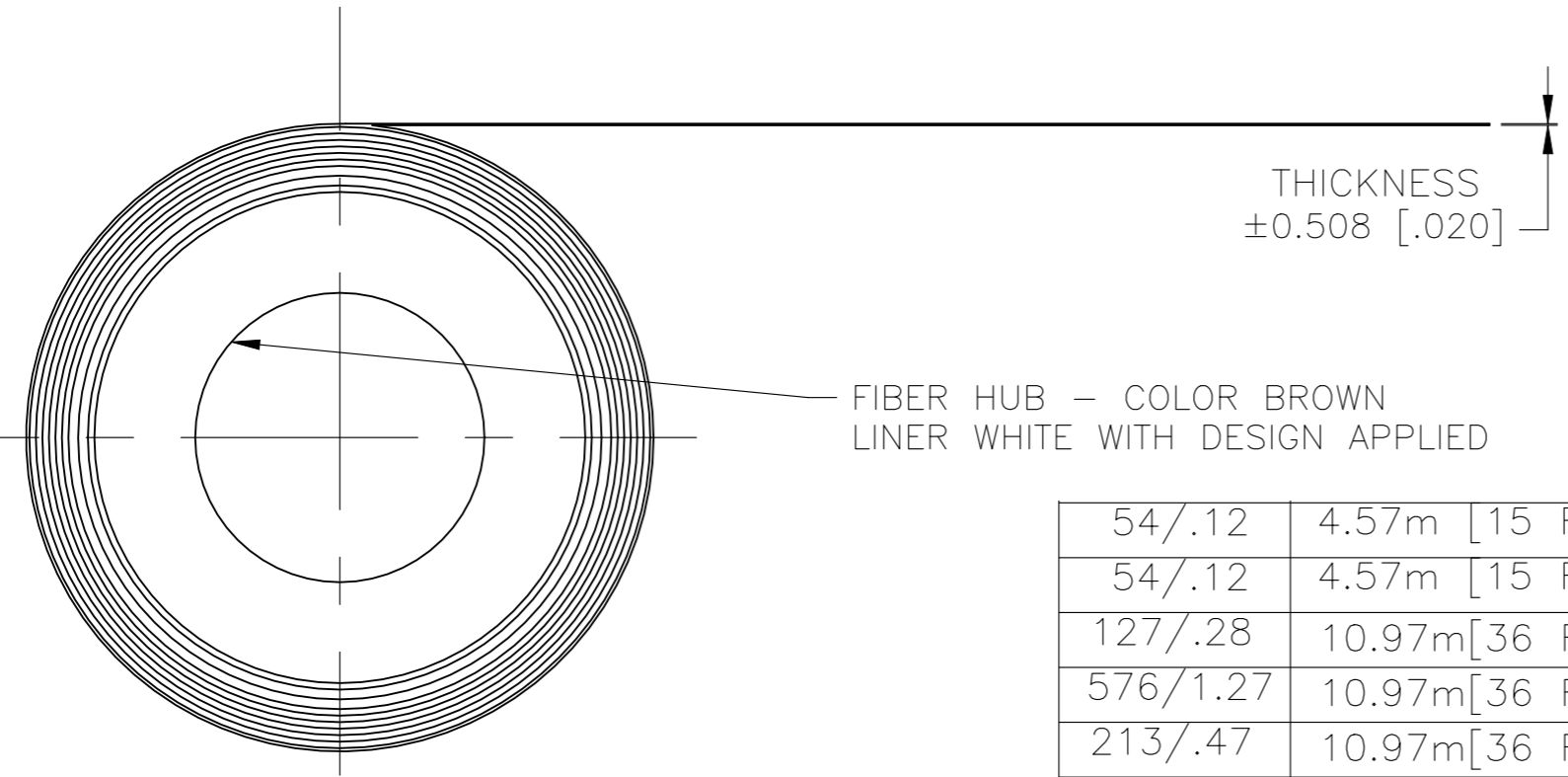
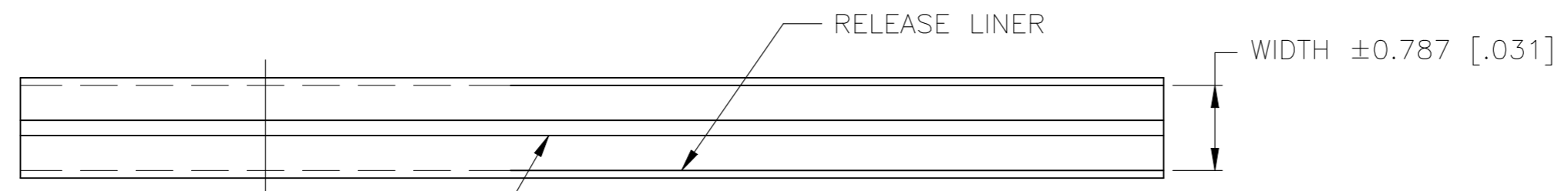


REVISIONS

P	LTR	DESCRIPTION	DATE	DWN	APVD
	H2	REVISED PER ECR-22-140740	08JUN2022	GK	SCD



- ① MATERIAL: SILICONE RUBBER.
- 2. TAPE IS ROLLED ONTO A FIBER HUB TO LENGTHS INDICATED WITH COLOR STRIPE UP AND RELEASE LINER ON OUTSIDE.
- 3. THICKNESS TO BE MEASURED AT CENTER OF TAPE.
- 4. SELF-AMALAGAMATING MATERIAL HAS A 1-YEAR SHELF-LIFE, WHICH BEGINS THE DAY ITS MADE. USE AFTER EXPIRATION CONSIDERABLY IMPEDES ITS ABILITY TO FUSE.
- 5. MADE IN USA DESIGN ON WHITE BACKING



54/.12	4.57m [15 FT]	WHITE	BLACK	0.51 [.020]	25.4 [1.00]	1-608036-4
54/.12	4.57m [15 FT]	BLUE	RED	0.51 [.020]	25.4 [1.00]	1-608036-3
127/.28	10.97m[36 FT]	BLUE	CLEAR	0.51 [.020]	25.4 [1.00]	1-608036-2
576/1.27	10.97m[36 FT]	WHITE	RED	1.50 [.060]	38.1 [1.50]	608036-9
213/.47	10.97m[36 FT]	GREEN	RED	1.02 [.040]	25.4 [1.00]	608036-5
172/.38	10.97m[36 FT]	WHITE	GRAY	0.76 [.030]	25.4 [1.00]	608036-4
127/.28	10.97m[36 FT]	BLUE	GRAY	0.51 [.020]	25.4 [1.00]	608036-2
127/.28	10.97m[36 FT]	BLUE	RED	0.51 [.020]	25.4 [1.00]	608036-1
WEIGHT GRAMS/POUNDS	LENGTH MINIMUM	STRIPE COLOR	TAPE COLOR	THICKNESS	WIDTH	PART NUMBER

THIS DRAWING IS A CONTROLLED DOCUMENT.

DWN S. HOOVER 20-AUG-2002
CHK D. COLEY 20-AUG-2002
APVD D. COLEY 20-AUG-2002

STE TE Connectivity

NAME: TAPE, SILICONE FUSION

PRODUCT SPEC: APPLICATION SPEC

SIZE: A3 CAGE CODE: 00779 DRAWING NO: C-608036 RESTRICTED TO: -

WEIGHT: -

CUSTOMER DRAWING SCALE: - SHEET: 1 OF 1 REV: H2

DIMENSIONS: mm[INCHES]	TOLERANCES UNLESS OTHERWISE SPECIFIED:
	0 PLC \pm
	1 PLC \pm
	2 PLC \pm
	3 PLC \pm
	4 PLC \pm
ANGLES	\pm
MATERIAL	FINISH
①	